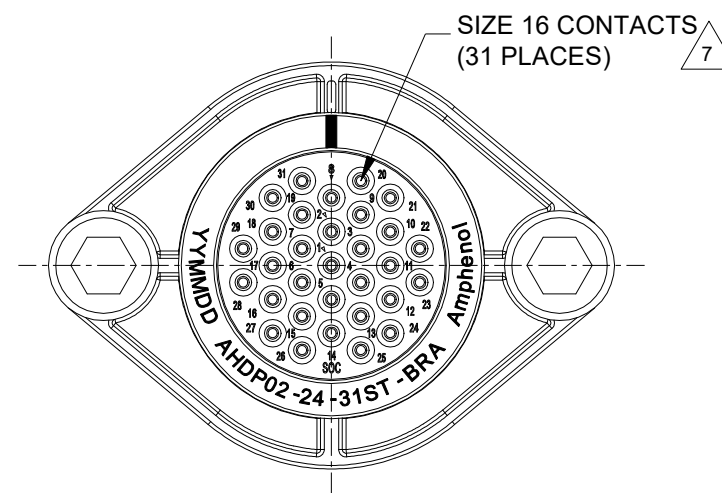
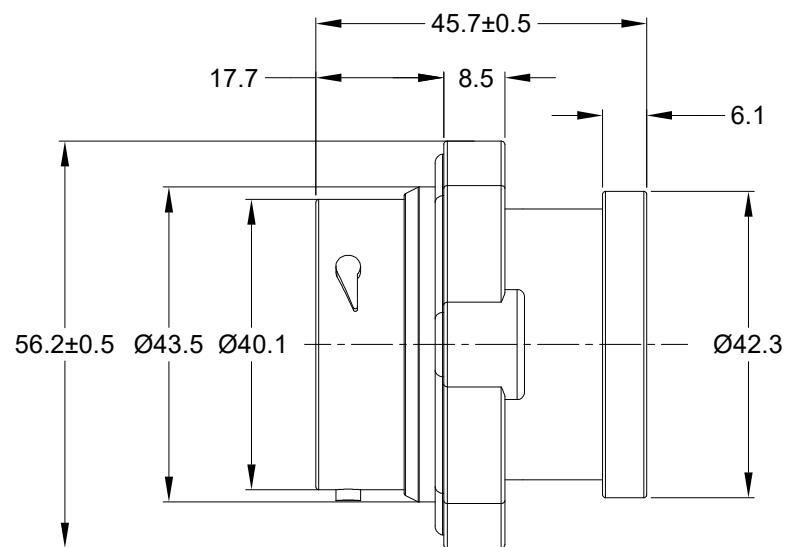
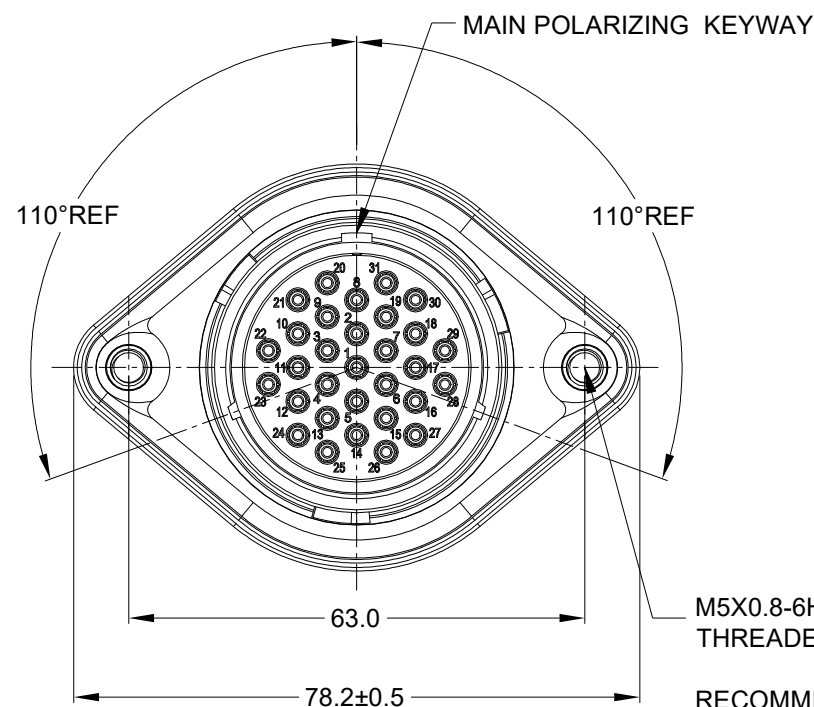
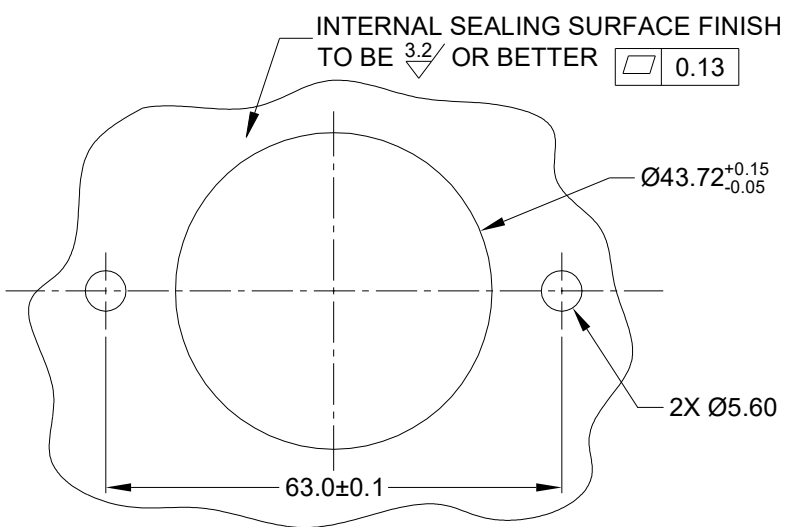


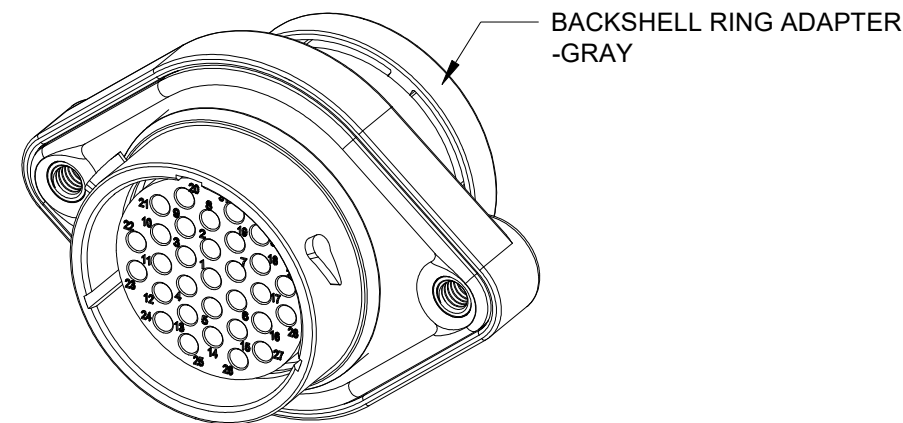
REVISIONS					
REV	ECO	DESCRIPTION	DATE	BY	APPR
A1	-	RELEASE NEW DRAWING	01/APR/22	IAN	TOMMY



M5X0.8-6H 8mm(2X) DEEP  
THREADED INSERT  
RECOMMENDED TORQUE  
VALUES: 1.9-2.2 N.m



RECOMMENDED PANEL  
MOUNTING HOLE  
RECOMMENDED PANEL  
THICKNESS:1.6 TO 4.7MM



NOTES: UNLESS OTHERWISE SPECIFIED

- MATERIAL:  
HOUSING: THERMOPLASTIC; BLACK  
SEAL: SILICONE RUBBER  
THREADED INSERT: STAINLESS STEEL
- MODIFICATIONS: BACKSHELL RING ADAPTER (BRA);  
THIN WALL DIA. WIRE SEAL;  
SEALED PANEL MOUNT
- SPECIFICATIONS:  
3.1 OPERATING TEMPERATURE: -55°C TO +125°C.  
3.2 DIELECTRIC WITHSTANDING VOLTAGE: LESS THAN 2  
MILLIAMPS CURRENT LEAKAGE @ 1500 VOLTS AC.  
3.3 INSULATION RESISTANCE: 1000 MEGOHM MIN @ 25°C.  
3.4 MOISTURE RESISTANCE:  
IP68(IM OF WATER FOR A PERIOD OF 24 HOURS, MATED  
CONDITION);  
IP69K(MATED CONDITION)  
3.5 MATING CYCLE DURABILITY: 100 CYCLES  
3.6 RoHS COMPLIANT
- MATING PART: AHDP06-24-31P\* (\* = SEAL TYPE)
- ALL DIMENSIONS ARE FOR REFERENCE USE ONLY.
- RECEPTACLE IS SUPPLIED WITH DUST CAP (NOT SHOW)

CONTACT SIZE AND WIRE RANGE:

CONTACT SIZE	MIN. INSUL O.D.	MAX. INSUL O.D.	TYPICAL WIRE RANGE	CURRENT RATING
16	2.23 mm (.088 in)	2.69 mm (.106 in)	14-20 AWG (2.0-0.5mm <sup>2</sup> )	13 AMPS

QUANTITY	AHDP02-24-31ST-BRA	DESCRIPTION	ITEM

MATERIALS LIST			
SIGNATURES	DATE		
DRAWN: IAN.XIAO	01/APR/22	<h1>Amphenol</h1> <p>Sine Systems - www.amphenol-sine.com 44724 Morley Drive Clinton Township, MI 48036</p>	
CHECKED: SULLEN.ZAHNG	02/APR/22		
ENGINEER:			
APPROVAL: TOMMY.XIE	06/APR/22	31POS,RECEPTACLE,SOCKET,24SZ, THIN SEAL,BRA,PANELMATE AHDP	
MATERIAL SPECIFICATIONS:	CUSTOMER:		
WEIGHT:67g	THIS DRAWING IS SUPPLIED FOR INFORMATION ONLY. DESIGN FEATURES, SPECIFICATIONS AND PERFORMANCE DATA SHOWN HEREON ARE THE PROPERTY OF THE AMPHENOL CORPORATION. NO RIGHTS OF REPRODUCTION ARE IMPLIED. ALL DIMENSIONS ARE SUBJECT TO NORMAL MANUFACTURING VARIATIONS.		
PROCESS SPECIFICATIONS:			
NEXT ASSY:			

SIZE	TYPE	DWG NO.	REVISION
B	C-	AHDP02-24-31ST-BRA	A1

SCALE	SHEET	OF
NONE	1	1

TITLE: 31POS,RECEPTACLE,SOCKET,24SZ,THIN SEAL,BRA,PANELMATE AHDP

DWG NO: AHDP02-24-31ST-BRA

REV: A1

SH: 1

OF: 1