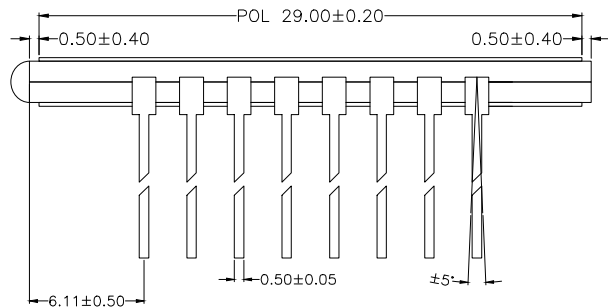
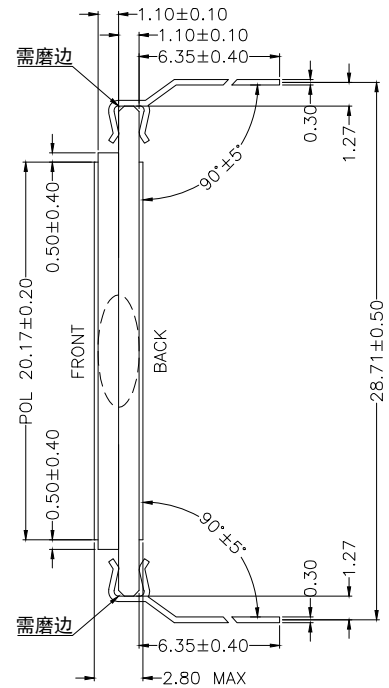
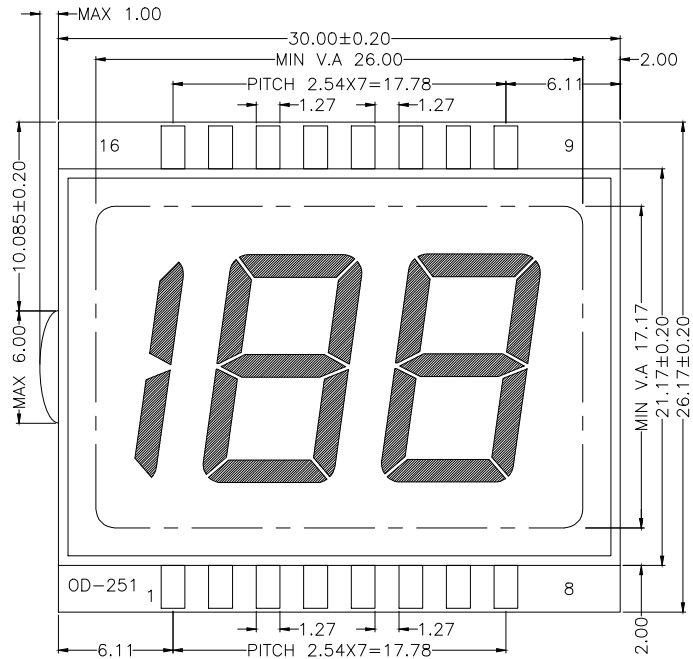


THIS DRAWING IS PROPERTY OF ORIENT DISPLAY. ALL RIGHTS RESERVED.

ITEM	PARAMETERS	ITEM	PARAMETERS	ITEM	PARAMETERS	ITEM	PARAMETERS
DISPLAY TYPE	TN, POSITIVE	VIEWING DIRECTION	6.0° CLOCK	LCD OPERATING VOLTAGE	5.0V	IC	--
DRIVING METHOD	STATIC	OPERATION TEMPERATURE	-20°C TO 70°C	LOGIC VOLTAGE(VDD)	--	BACKLIGHT	/
POLARIZER TYPE	TRANSFLECTIVE	STORAGE TEMPERATURE	-30°C TO 80°C	SURFACE LUMINANCE	--	CONNECTOR	PIN



VIEWING DIRECTION



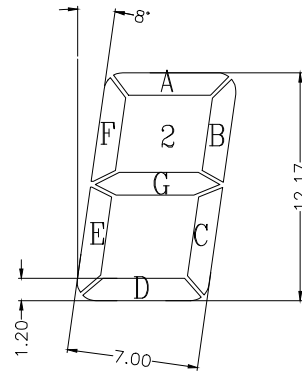
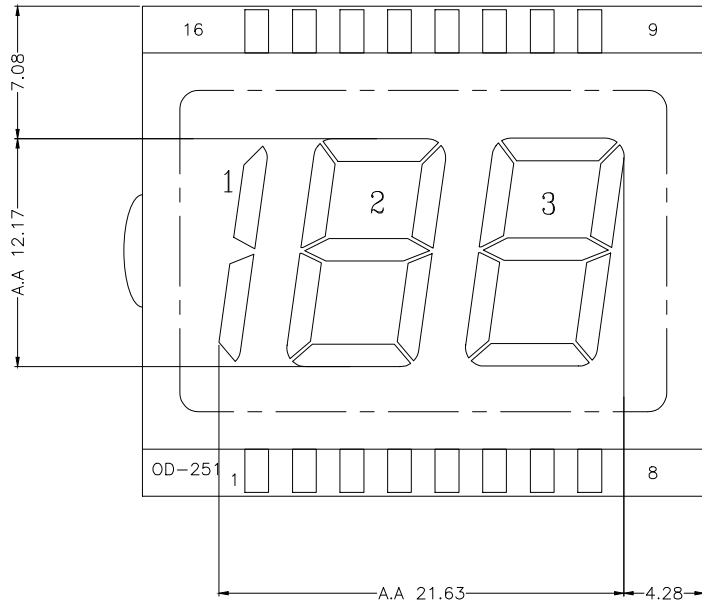
TITLE	LCD	PART NO.	OD-251
REV.	1	CUSTOMER NO.	OD-251
SCALE	FIT	UNIT	mm
ROHS/REACH COMPLIANT	YES	CUSTOMER'S APPROVAL	
UNMARKED TOLERANCE	±0.2		

REV.	SYMBOL	DESCRIPTION
01		改封口尺寸

Feb-15  
DATE

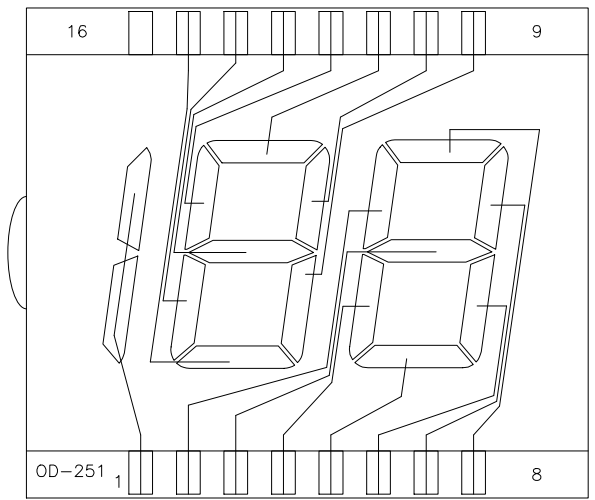
3rd ANGLE SHEET 1 of 3

PIN	1	2	3	4	5	6	7	8
COM	1BC	3F	3G	3E	3D	3C	3B	3A
PIN	9	10	11	12	13	14	15	16
COM	2C	2B	2A	2F	2G	2E	2D	COM

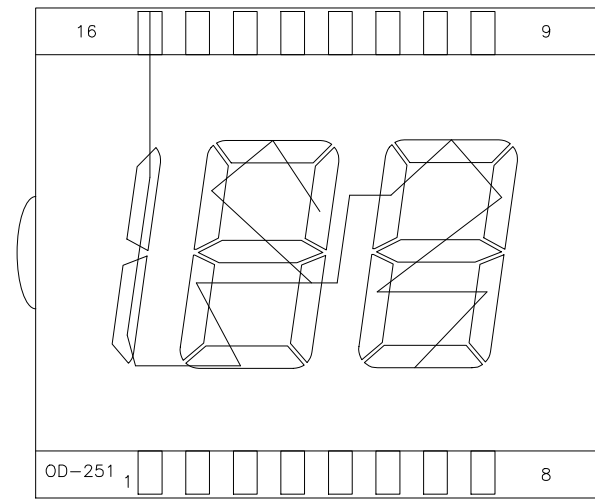


**ORIENT DISPLAY**

TITLE	LCD	PART NO.	OD-251
REV.	1	CUSTOMER NO.	OD-251
SCALE	FIT	UNIT	mm
ROHS/REACH COMPLIANT	YES	3rd ANGLE	SHEET 2 of 3
UNMARKED TOLERANCE	±0.2	CUSTOMER'S APPROVAL	



SEG



COM



<b>TITLE</b>	<b>LCD</b>	<b>PART NO.</b>	<b>OD-251</b>
<b>REV.</b>	<b>1</b>	<b>CUSTOMER NO.</b>	<b>OD-251</b>
<b>SCALE</b>	<b>FIT</b>	<b>UNIT</b>	mm
<b>ROHS/REACH COMPLIANT</b>	<b>YES</b>	<b>3rd ANGLE</b>	<b>SHEET 3of 3</b>
<b>UNMARKED TOLERANCE</b>	<b>±0.2</b>	<b>CUSTOMER'S APPROVAL</b>	