



3 dBd Ground Independent Poly Spring Vehicular Antenna 440-480 MHz NMO Mount Connector

Antennas Technical Data Sheet

PE51MP1008

Features

- Wide band performance; no tuning required
- NMO Mount, Black Chrome Finish
- One-piece 17-7 Stainless steel open coil whip
- Flexible Black Polymer Alloy Spring
- O-ring seal for waterproof construction
- Durable Xenoy™ base with TPV over mold dust seal and grip ring

Applications

- Service Vehicles
- Public Safety
- Public Transportation
- Mining & Construction

Description

This ground plane independent UHF mobile omnidirectional antenna is ideally suited for multipoint mobile applications including service vehicles, public transportation, public safety, mining and construction vehicles, as well numerous other commercial and industrial applications where mobility and wide coverage is desired. This antenna features a flexible Poly Spring base. Unlike the traditional metal spring base, the Poly Spring will not corrode and does not generate electrical noise when flexed during use. It has a standard TAD/NMO Motorola-type mobile base.

Configuration

Design	Vehicular
Application Band	UHF
Band Type	Single
Radiation Pattern	Omni Directional
Polarization	Linear, Vertical
Ground Plane	Independent
Connector Type	NMO Mount

Electrical Specifications

Description	Minimum	Typical	Maximum	Units
Frequency Range	440		480	MHz
Input VSWR			2:1	
Impedance		50		Ohms
Gain		3		dBd
Horizontal (Azimuth) Beam Width		Omnidirectional		
Vertical (Elevation) Beam Width		35		Degrees
Input Power			150	Watts

Click the following link (or enter part number in "SEARCH" on website) to obtain additional part information including price, inventory and certifications: [3 dBd Ground Independent Poly Spring Vehicular Antenna 440-480 MHz NMO Mount Connector PE51MP1008](#)



3 dBd Ground Independent Poly Spring Vehicular
Antenna 440-480 MHz NMO Mount Connector

Antennas Technical Data Sheet

PE51MP1008

Mechanical Specifications

Base Material	Xenoy™ w/TPV over mold grip
Whip Material	17-7 SS
Whip Finish	Black Chrome
Mounting Application	¾ inch thru-hole NMO Mount
Spring Material	Black Molded Polymer Alloy

Size

Overall Length	31.25 in [793.75 mm]
----------------	----------------------

Click the following link (or enter part number in "SEARCH" on website) to obtain additional part information including price, inventory and certifications: [3 dBd Ground Independent Poly Spring Vehicular Antenna 440-480 MHz NMO Mount Connector PE51MP1008](#)



3 dBd Ground Independent Poly Spring Vehicular Antenna 440-480 MHz NMO Mount Connector

Antennas Technical Data Sheet

PE51MP1008

Installation Instructions

PE51MP1008

3 dBd GROUND PLANE INDEPENDENT ANTENNA
(440-480 MHz)

Congratulations on your selection of another quality antenna product from Pasternack. Pasternack is committed to continually provide the greatest antenna VALUE for your wireless applications.

Designed and Optimized for Wide Band Fixed Length

“No Ground Plane” Installations

Note: CAREFULLY READ ALL INSTRUCTIONS BEFORE INSTALLING

1. Parts (Figure 1):

Verify all parts are included with the Antenna as shown in Figure 1.

- A. Antenna Whip
- B. Spring Assembly
(SS or e/m-Flex™ Polymer Type)
- C. NMO Base Adapter
- D. O-Ring

2. Tools:

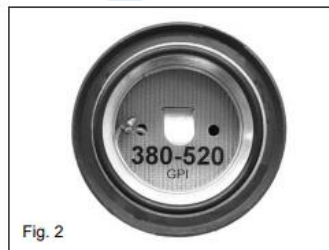
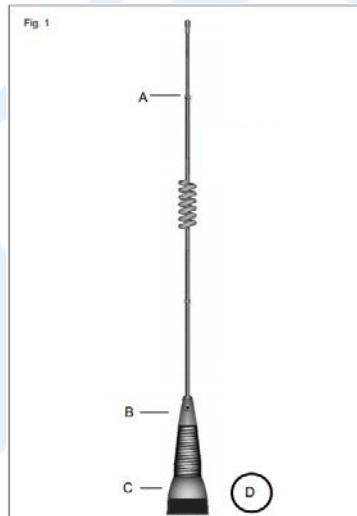
- A. None required for installation to standard NMO Type Mount.

3. Pre-Installation (Figure 2):

- A. **Optimal Performance:** The Antenna is designed for installation to an NMO mount using a small metal L-Bracket or non-metallic surfaces.
- B. Ensure O-ring is properly seated within O-ring groove as shown in Figure 2.
- C. **IMPORTANT: NO TUNNING OR CUTTING REQUIRED.**

4. Tuning and Installation (Figure 3):

- A. Verify contact spring is completely extended. If necessary, adjust by pulling the contact outward.
- B. Thread Antenna onto the NMO mount. Tighten by hand until O-Ring is completely seated.
- C. **No Tuning or Cutting Required**
- D. Verify VSWR.



Click the following link (or enter part number in “SEARCH” on website) to obtain additional part information including price, inventory and certifications: [3 dBd Ground Independent Poly Spring Vehicular Antenna 440-480 MHz NMO Mount Connector PE51MP1008](#)



3 dBd Ground Independent Poly Spring Vehicular Antenna 440-480 MHz NMO Mount Connector

Antennas Technical Data Sheet

PE51MP1008

Environmental Specifications

Temperature

Operating Range

-40 to +85 deg C

Humidity

95%

Corrosion

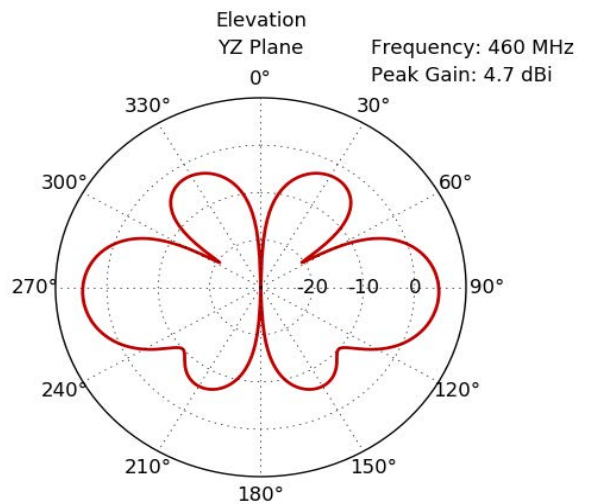
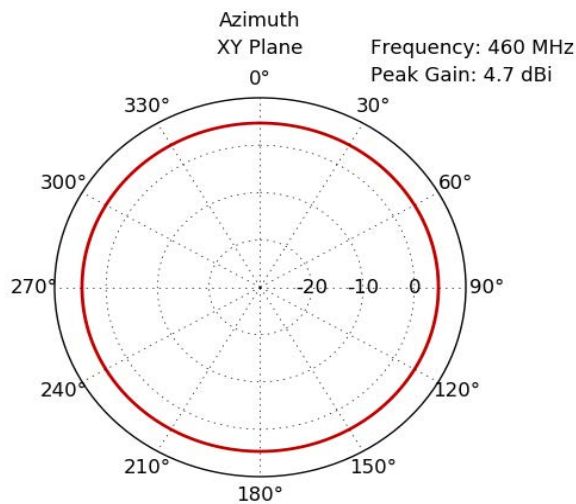
Salt Fog

Compliance Certifications (see [product page](#) for current document)

Plotted and Other Data

Notes:

Typical Radiation Pattern



Click the following link (or enter part number in "SEARCH" on website) to obtain additional part information including price, inventory and certifications: [3 dBd Ground Independent Poly Spring Vehicular Antenna 440-480 MHz NMO Mount Connector PE51MP1008](#)



3 dBd Ground Independent Poly Spring Vehicular Antenna 440-480 MHz NMO Mount Connector

Antennas Technical Data Sheet

PE51MP1008

3 dBd Ground Independent Poly Spring Vehicular Antenna 440-480 MHz NMO Mount Connector from Pasternack Enterprises has same day shipment for domestic and International orders. Our RF, microwave and millimeter wave products maintain a 99.4% availability and are part of the broadest selection in the industry.

Click the following link (or enter part number in "SEARCH" on website) to obtain additional part information including price, inventory and certifications: [3 dBd Ground Independent Poly Spring Vehicular Antenna 440-480 MHz NMO Mount Connector PE51MP1008](#)

URL: <https://www.pasternack.com/single-antenna-440-480-mhz-3-dbd-gain-nmo-mount-pe51mp1008-p.aspx>

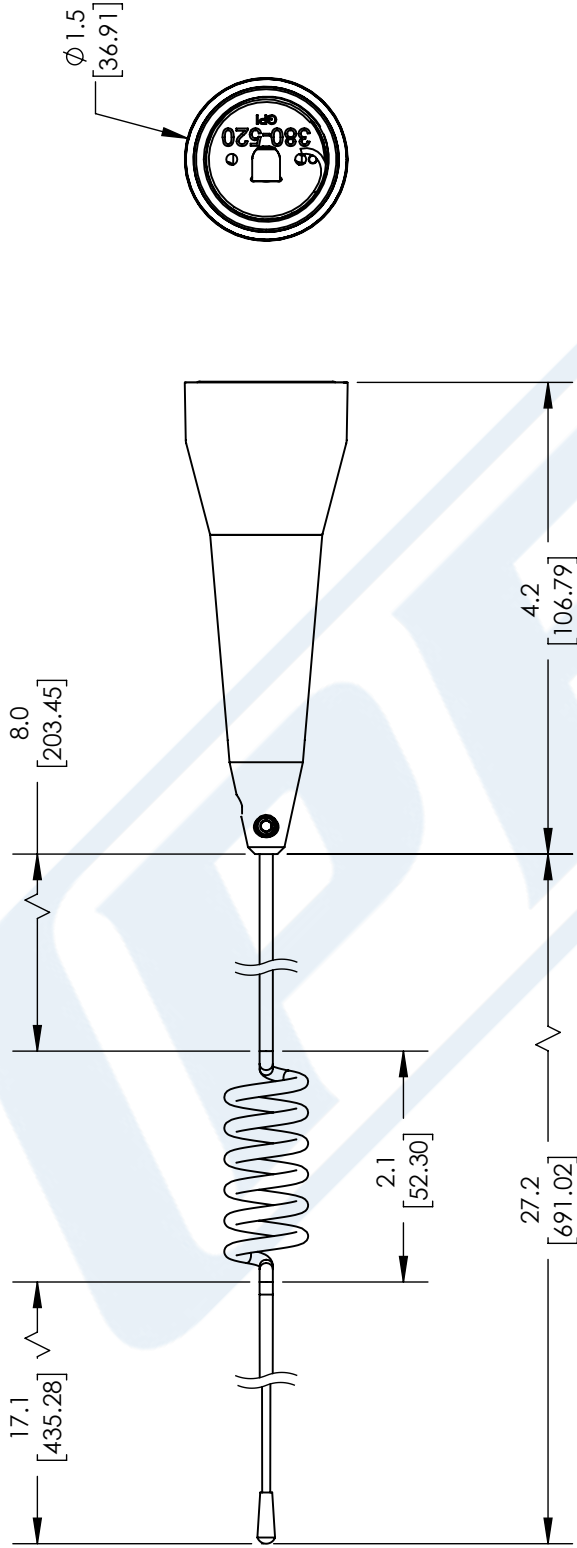
The information contained in this document is accurate to the best of our knowledge and representative of the part described herein. It may be necessary to make modifications to the part and/or the documentation of the part, in order to implement improvements. Pasternack reserves the right to make such changes as required. Unless otherwise stated, all specifications are nominal. Pasternack does not make any representation or warranty regarding the suitability of the part described herein for any particular purpose, and Pasternack does not assume any liability arising out of the use of any part or documentation.

PE51MP1008 CAD Drawing

3 dBd Ground Independent Poly Spring Vehicular Antenna

440-480 MHz NMO Mount Connector

REVISIONS			
REV.	DESCRIPTION	DATE	APPROVED
A	INITIAL RELEASE	07/18/2019	MMILLER



UNLESS OTHERWISE SPECIFIED LEADING DIMENSIONS ARE INCHES DIMENSIONS IN [] ARE MILLIMETERS	
TOLERANCES:	FRACTIONS
X±.2 [5.08]	+1/32
XX±.01 [.25]	
XXX±.005 [.13]	ANGLES ± 1°
ALL DIMENSIONS SHOWN ARE FOR REFERENCE ONLY.	
THIRD-ANGLE PROJECTION	

PASTERNAK
an INFINITE brand

Pasternack Enterprises, Inc.
P. O. Box 16759, Irvine, CA 92623.
Phone: 1.949.261.1920 | 1.866.727.8376
Fax: 1.949.261.7451
www.pasternack.com | e-mail: sales@pasternack.com

SIZE	CAGE	DRAWN BY	PART NUMBER	REV
A	53919	BPUCHASKI	PE51MP1008	A

THE INFORMATION AND DESIGN IN THIS DOCUMENT IS THE PROPERTY OF PASTERNAK CORPORATION. ALL RIGHTS RESERVED.				
SHEET	1	OF	1	
SCALE	N/A			

THESE COMMODITIES, TECHNOLOGY OR SOFTWARE WERE EXPORTED FROM THE UNITED STATES IN ACCORDANCE WITH THE EXPORT ADMINISTRATION REGULATIONS. DIVERSION CONTRARY TO U.S. LAW PROHIBITED.