

NOTES.

1. 嵌合相手 : 501189\*\*\*\*  
MATE WITH : 501189\*\*\*\*

2. ソルダーピン及びネイル平坦度は0.1MAX.  
SOLDER PIN AND NAIL COPLANARITY TO BE 0.1MAX.

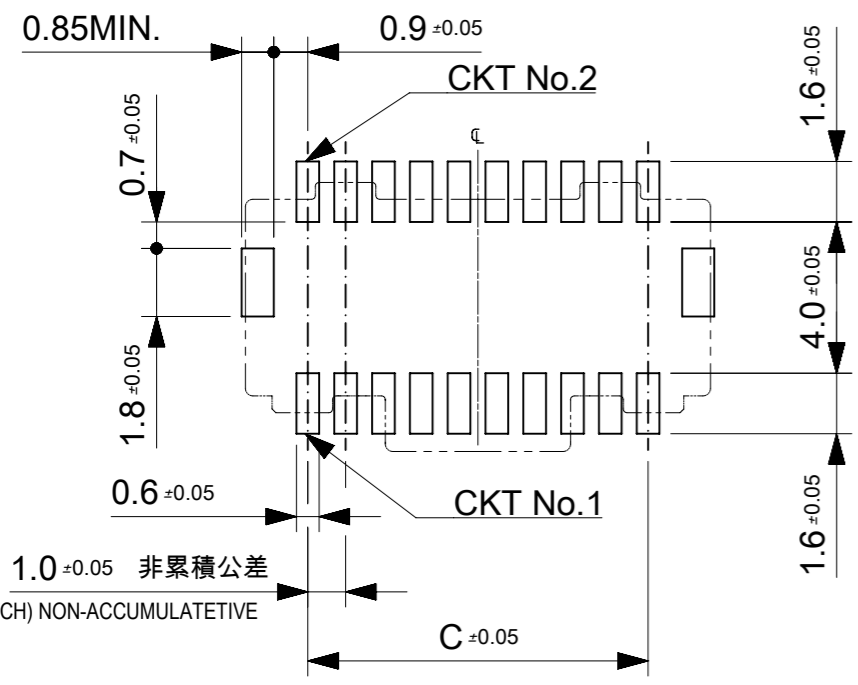
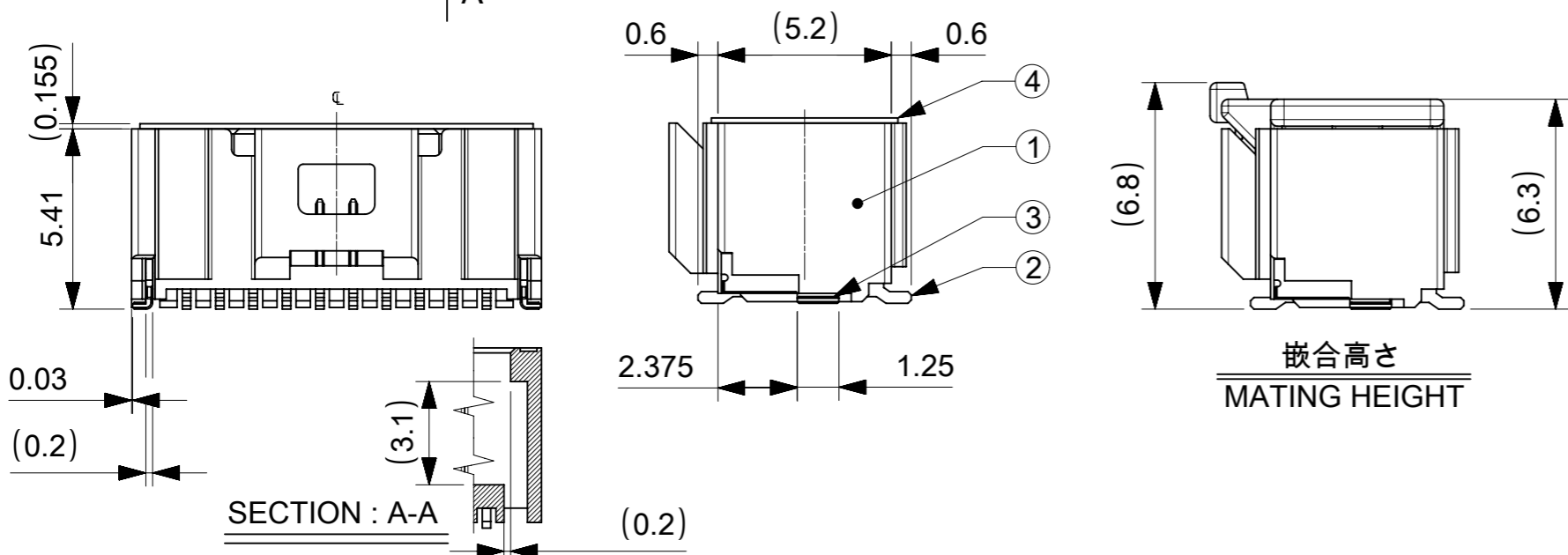
③ 極数/2 = 偶数に適用  
APPLY FOR CKT SIZE/2=EVEN

④ トレードマーク : MXプラス1文字のアルファベットにて構成  
TRADE MARK : FORMED BY MX AND 1 MORE LETTER OF ALPHABET.

キャビティー番号 : 1桁から2桁の数字にて構成  
CAVITY No. : FORMED BY 1-2 DIGIT NUMBERS.

金型番号 : アルファベット1文字にて構成  
MOLD No. : FORMED BY 1 LETTER OF ALPHABET.

番号 NO.	部品 PART	材質 MATERIAL
①	ウェハー WAFER	ポリアミド、UL94V-0、色 : 自然色 POLYAMIDE, UL94V-0, COLOR : NAURAL
②	ソルダーピン SOLDER PIN	りん青銅 PHOSPHOR BRONZE 金メッキ : 0.76 MICRO METER MINIMUM. GOLD PLATING ニッケルメッキ (下地) : 1.27 MICRO METER MINIMUM. NICKEL (UNDER PLATING)
③	ネイル NAIL	りん青銅 PHOSPHOR BRONZE 錫メッキ : 1.0 MICRO METER MINIMUM. TIN PLATING ニッケルメッキ (下地) : 1.0 MICRO METER MINIMUM. NICKEL (UNDER PLATING)
④	カバーテープ COVER TAPE	ポリイミドテープ POLYIMIDE TAPE



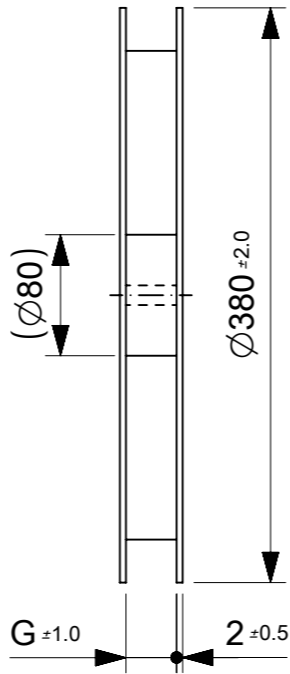
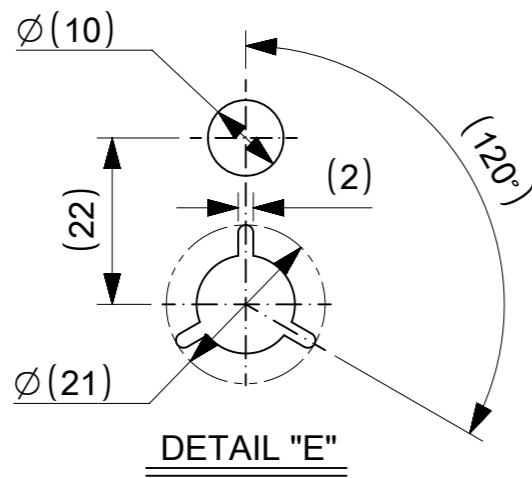
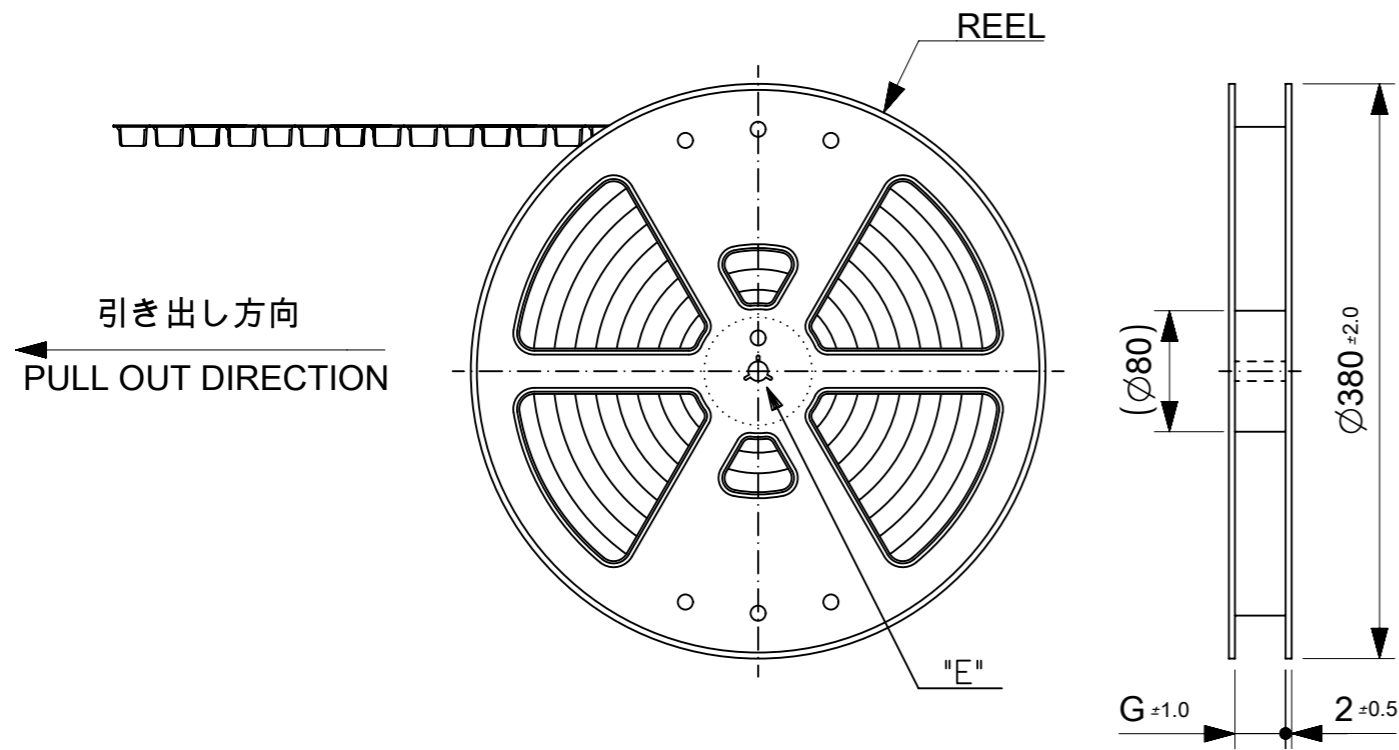
参考パターンレイアウト  
RECOMMENDED PATTERN DIM.  
(REF.)

無 NO	24	27.3	2035655027	50	
	19	22.3	2035654027	40	
	14	17.3	2035653027	30	
	9	12.3	2035652027	20	
有 YES	24	26.8 27.3	2035655017	50	
	19	21.8 22.3	2035654017	40	
	14	16.8 17.3	2035653017	30	
9	11.8 12.3	2035652017	20		
カバーテープの有無 COVER TAPE	C	B	A	EMBOSSED PACKAGE オーダー番号: ORDER No.	CKT

CONNECTOR SERIES No.: 203565\*\*\*9

THIS DRAWING CONTAINS INFORMATION THAT IS PROPRIETARY TO MOLEX ELECTRONIC TECHNOLOGIES, LLC AND SHOULD NOT BE USED WITHOUT WRITTEN PERMISSION

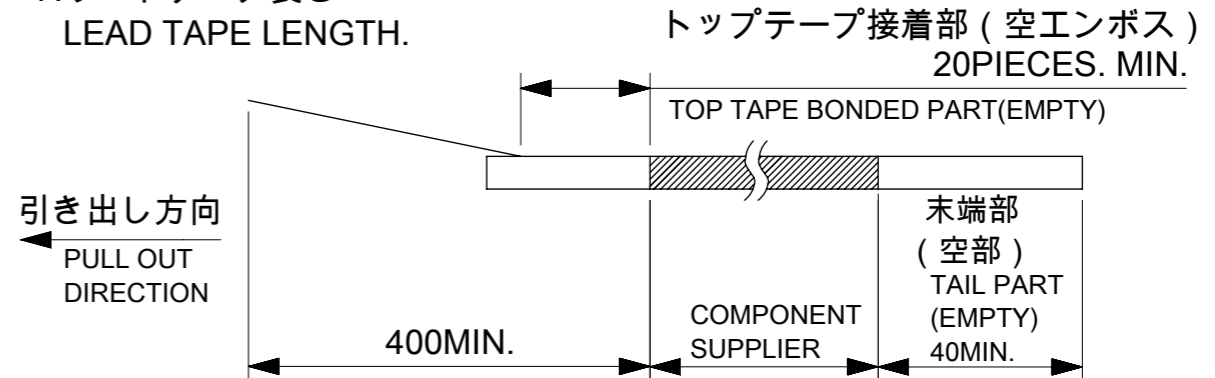
EC NO: 168346 DRWN: KYAMADA02 CHK'D: SAKIYAMA APPR: TKANEKO	2017/11/14	GENERAL TOLERANCES (UNLESS SPECIFIED)	DIMENSION UNITS	SCALE	
	2017/11/30		mm	5:1	
	2017/12/01		DRWN BY	DATE	
	2017/11/30		KYAMADA02	2017/11/14	
A	REV	4 PLACES	± 0.2	CHK'D BY	DATE
		3 PLACES	± 0.2	SAKIYAMA	2017/11/30
		2 PLACES	± 0.2	APPR BY	DATE
		1 PLACE	± 0.2	TKANEKO	2017/12/01
DRAFT WHERE APPLICABLE MUST REMAIN WITHIN DIMENSIONS		0 PLACES	± 0.2	DRAWING SIZE	THIRD ANGLE PROJECTION
				A3	
				PRODUCT CUSTOMER DRAWING	
				SERIES	MATERIAL NUMBER
				203565	SEE CHART
				CUSTOMER	GENERAL
				DOCUMENT NUMBER	DOC TYPE
				2035652017-SD	PSD
				DOC PART	SHEET NUMBER
				000	1 OF 3



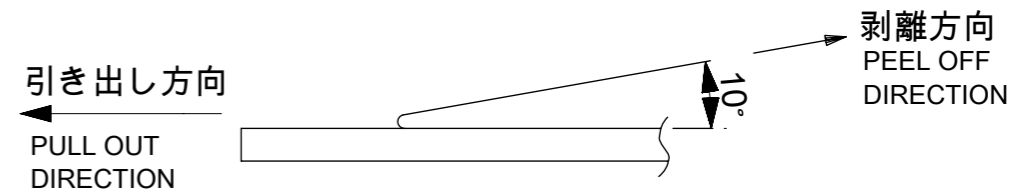
NOTES.

6.梱包数量：1,100個/リール  
 NUMBER OF CONNECTORS : 1,100PIECES/REEL

7.リードテープ長さ  
 LEAD TAPE LENGTH.



8.トップテープの剥離強度：0.1～1.3N (10.2～132.5gf)(剥離方向は下図参照)  
 PEELING OFF FORCE OF TOP TAPE  
 (PEELING DIRECTION AS SHOWN IN FOLLOWING FIGURE)  
 尚、本規格値は、出荷時に適用。(但し、輸送時に剥離が発生しないこと)  
 THIS REQUIREMENT SHOULD BE APPLIED AT SHIPMENT.  
 PEEL OFF SHOULD NOT BE ALLOWED, DURING TRANSPORTION.



9.材料

MATERIAL

キャリアテープ：ポリプロピレン(PP)

CARRIER TAPE : POLYPROPYLENE

トップテープ：ポリエステル(PET),ポリエチレン(PE),ポリエチレン フラノエート(PEF),

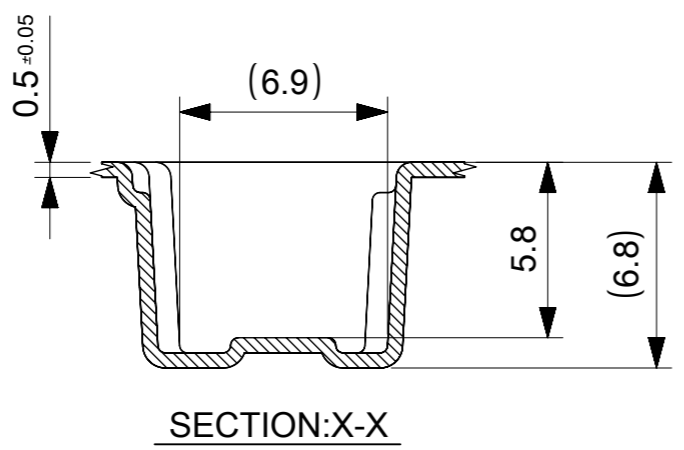
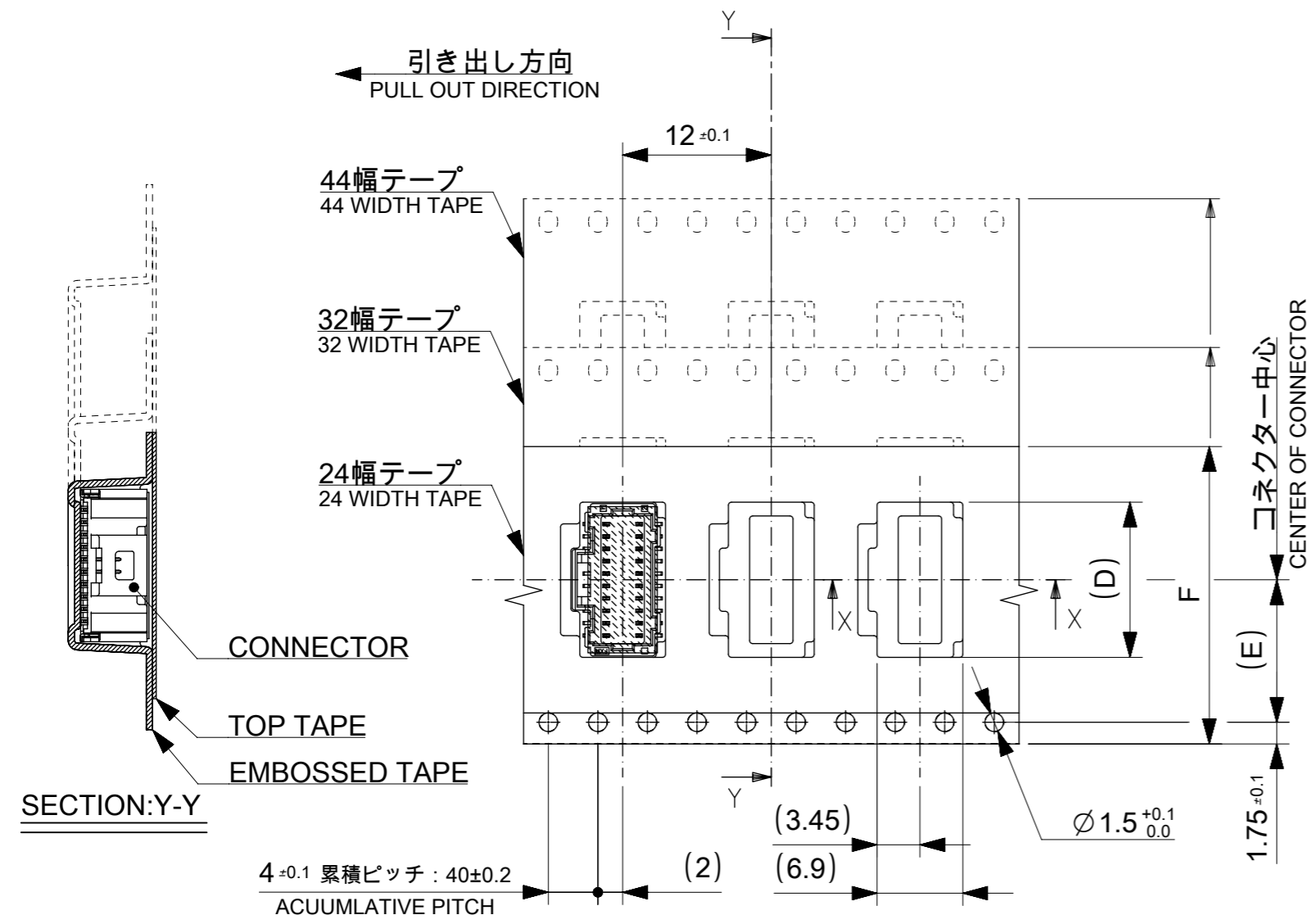
TOP TAPE : POLYESTER, POLYETHILENE, POLYETHYLENE FURANOATE

リール：ポリスチレン(PS),(リサイクル材を含む)

REEL : POLYSTYRENE (RECYCLE MATERIAL CONTAINED)

THIS DRAWING CONTAINS INFORMATION THAT IS PROPRIETARY TO MOLEX ELECTRONIC TECHNOLOGIES, LLC AND SHOULD NOT BE USED WITHOUT WRITTEN PERMISSION

EC NO: 168346 DRWN: KYAMADA02 CHK'D: SAKIYAMA APPR: TKANEKO	2017/11/14 2017/11/30 2017/12/01	GENERAL TOLERANCES (UNLESS SPECIFIED) ANGULAR TOL ± 3.0 ° 4 PLACES ± 0.2 3 PLACES ± 0.2 2 PLACES ± 0.2 1 PLACE ± 0.2 0 PLACES ± 0.2	DIMENSION UNITS: mm SCALE: 1:1 DRWN BY: KYAMADA02 DATE: 2017/11/14 CHK'D BY: SAKIYAMA DATE: 2017/11/30 APPR BY: TKANEKO DATE: 2017/12/01				
	DRAFT WHERE APPLICABLE MUST REMAIN WITHIN DIMENSIONS			DRAWING SIZE: A3 THIRD ANGLE PROJECTION	PICO-CLASP 1.0W/B DUAL-ROW ST WAFER ASSY 20-50CKT (GOLD VERSION 0.76)		
				PRODUCT CUSTOMER DRAWING			SERIES: 203565 MATERIAL NUMBER: SEE CHART CUSTOMER: GENERAL
	DOCUMENT NUMBER: 2035652017-SD		DOC TYPE: PSD	DOC PART: 000	SHEET NUMBER: 2 OF 3		



45.5	44 $\pm$ 0.3	20.2	27.6	50
			22.6	40
33.5	32 $\pm$ 0.3	14.2	17.6	30
25.5	24 $\pm$ 0.3	11.5	12.6	20
G	F CARRIER TAPE WIDTH	(E)	(D)	CKT

THIS DRAWING CONTAINS INFORMATION THAT IS PROPRIETARY TO MOLEX ELECTRONIC TECHNOLOGIES, LLC AND SHOULD NOT BE USED WITHOUT WRITTEN PERMISSION

EC NO: 168346 DRWN: KYAMADA02 CHK'D: SAKIYAMA APPR: TKANEKO	2017/11/14 2017/11/30 2017/12/01	GENERAL TOLERANCES (UNLESS SPECIFIED) ANGULAR TOL $\pm$ 3.0 °	DIMENSION UNITS: mm SCALE: 1:1	
	4 PLACES $\pm$ 0.2 3 PLACES $\pm$ 0.2 2 PLACES $\pm$ 0.2 1 PLACE $\pm$ 0.2 0 PLACES $\pm$ 0.2	DRWN BY: KYAMADA02 DATE: 2017/11/14	PRODUCT CUSTOMER DRAWING	
	DRAFT WHERE APPLICABLE MUST REMAIN WITHIN DIMENSIONS	CHK'D BY: SAKIYAMA DATE: 2017/11/30	SERIES: 203565 MATERIAL NUMBER: SEE CHART CUSTOMER: GENERAL	
		APPR BY: TKANEKO DATE: 2017/12/01	DOCUMENT NUMBER: 2035652017-SD DOC TYPE: PSD DOC PART: 000 SHEET NUMBER: 3 OF 3	
		DRAWING SIZE: A3 THIRD ANGLE PROJECTION		