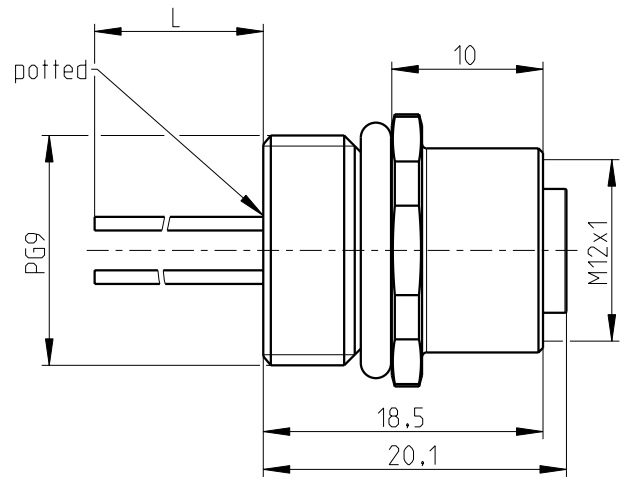
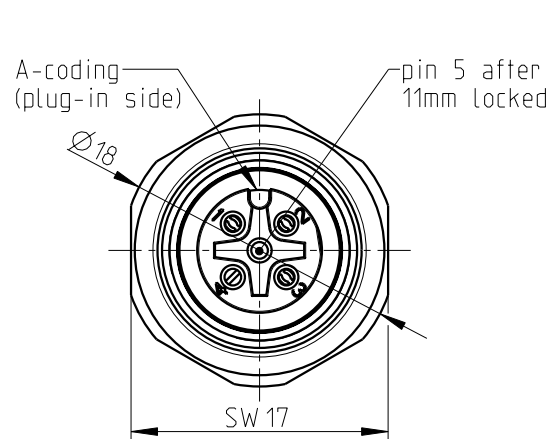


The copying, distribution and utilization of this document as well as the communication of the contents to others without expressed authorization is prohibited according to §18 UWG German Law. Offenders will be held liable for the payment of damages according to §19 UWG German Law. All rights reserved, in particular the right to carry out patent, utility model or ornamental design registrations.

Weitergabe sowie Vervielfältigung dieses Dokuments, Verwertung und Mitteilung seines Inhalts gem §18 UWG verboten, soweit nicht ausdrücklich gestattet. Zuwiderhandlungen verpflichten zu Schadensersatz (§19 UWG). Alle Rechte vorbehalten, insbesondere das Recht, Patent-, Gebrauchsmuster- oder Geschmacksmusteranmeldungen durchzuführen. CONINVERS GmbH Heisenbergstrasse 1 D-71083 Herrenberg

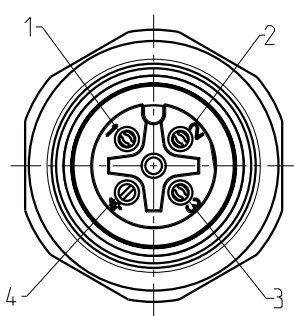
| Mechanical data (according to IEC 61076-2-101) | | Material | |
|---|-----------------|--------------------|---------------------|
| no. of poles / coding | 4 / A | housing | V4A |
| contact termination | crimp / socket | contact carrier | PA 66 / UL 94 V0 |
| contact-Ø | 1mm | colour | black |
| temperature range | -40 °C / +85 °C | wire | TPE |
| protection class | IP 67 | cross section | 0,34mm ² |
| mating cycles | >100 | contacts / surface | CuZn / Au |
| locking system | M12 STANDARD | sealing gasket | FKM |
| | | potting | PU 2k / UL 94 V0 |

further information:
 - see technical data M12-1
 - see installation recommendation PG9 design E



All specified data refers to the mounted M12 installation plugs ≥ IP54 and requires that the connector pair be correctly plugged and locked. Influences from wires, cables or PCB mounting are also to be taken into consideration.

View of pin assignment
Plug-in side



Pin layout

| pin | colour |
|-----|--------|
| 1 | blue |
| 2 | brown |
| 3 | grey |
| 4 | n.c. |

| | |
|-----------|-------|
| order-no. | L (m) |
| 1431429 | 0,5 |

| | | | | | | | |
|---|------|----------------------------|---|----------------------|-----------|---------------|------------------|
| general tolerance acc. to DIN ISO 2768-c | | technical changes reserved | | Index 1 / 2012-04-26 | | scale: 2:1 | |
| design | date | name | description: Housing with crimp contacts Front mounting (PG9) | | | | page: 1 of: 1 |
| chk. | | | | | | | |
| | | drawing-no.: | BA-L15RBC0IX,XX (X,XX=L) | | doc.-no.: | 00658358 | |
| | | order-no.: | see chart | | | | |
| | | article designation: | SACC-E-M12FS-4CON-PG9/L (see chart) FFVA | | | | |