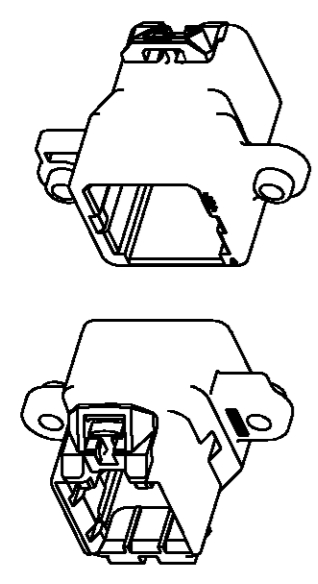
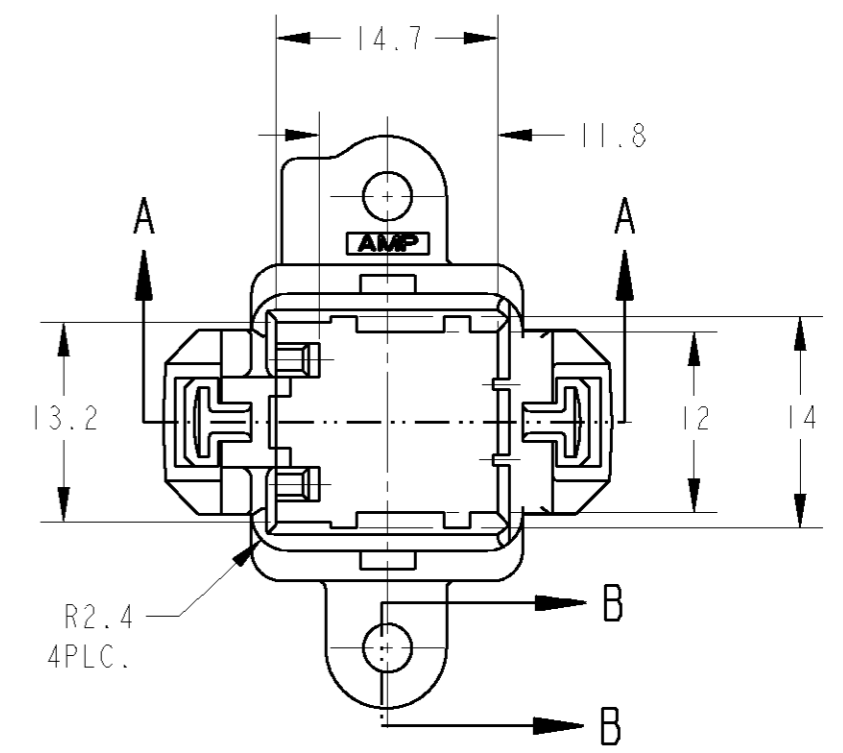
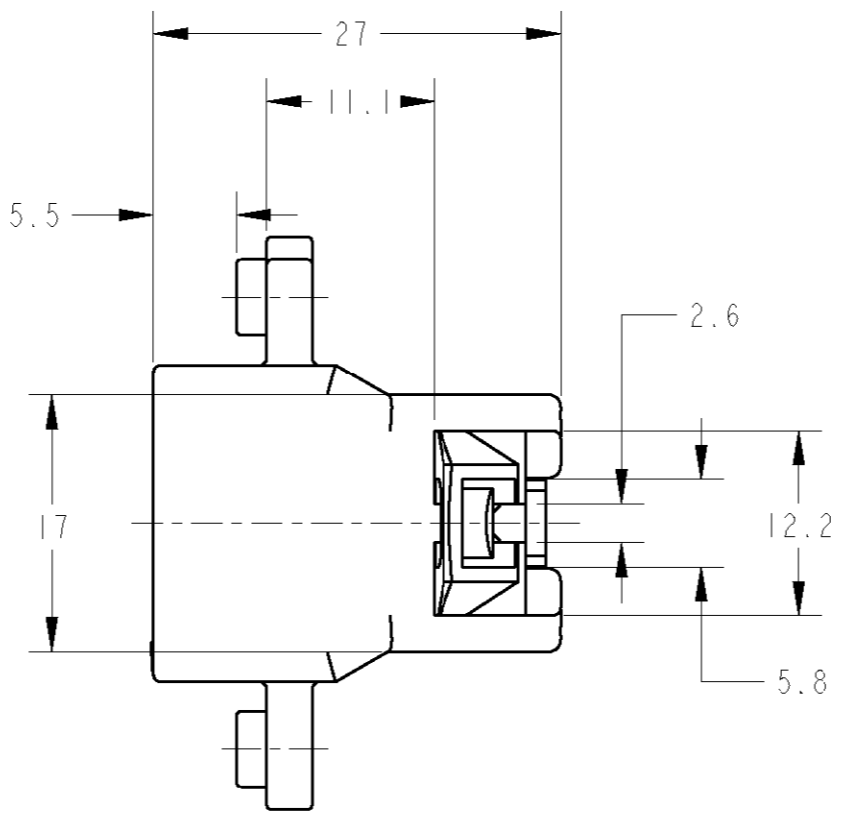
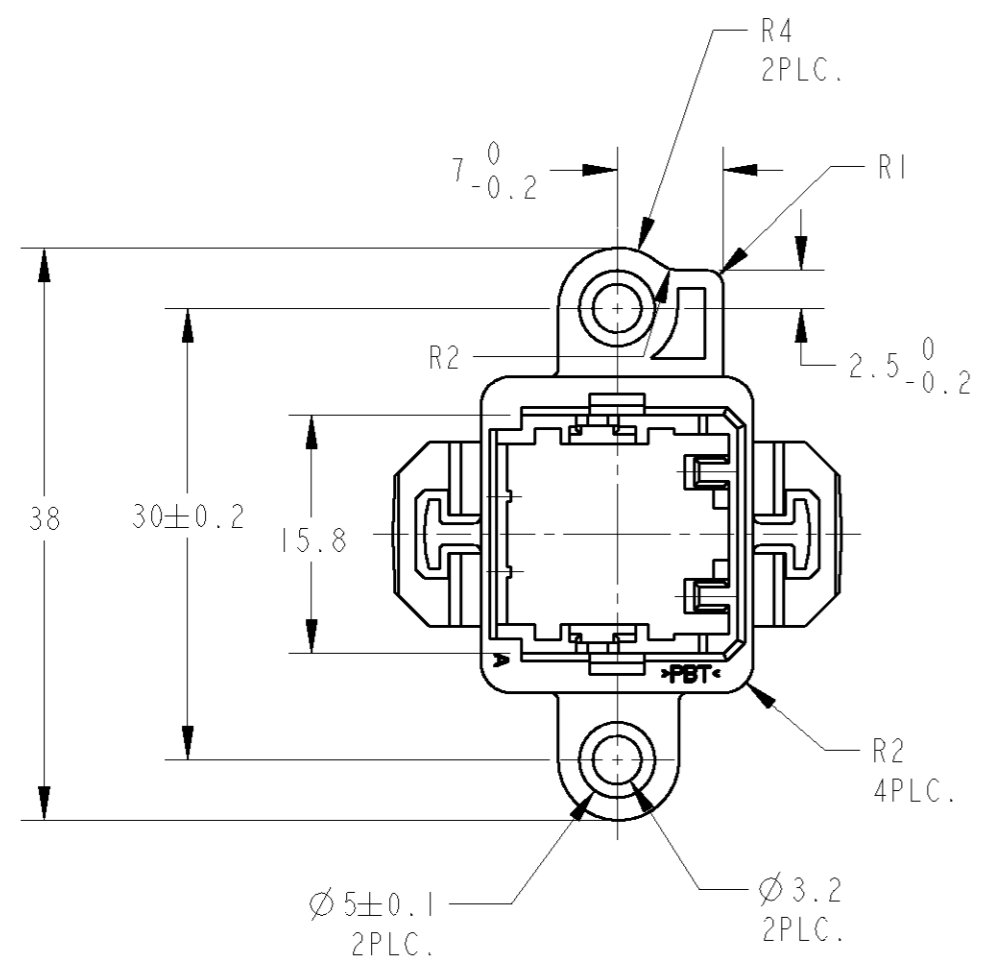
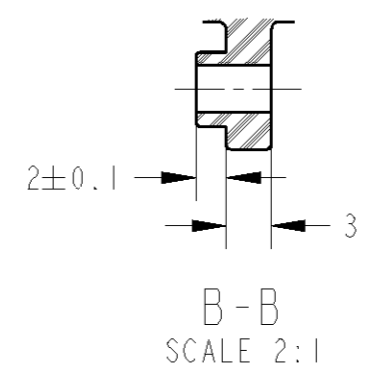
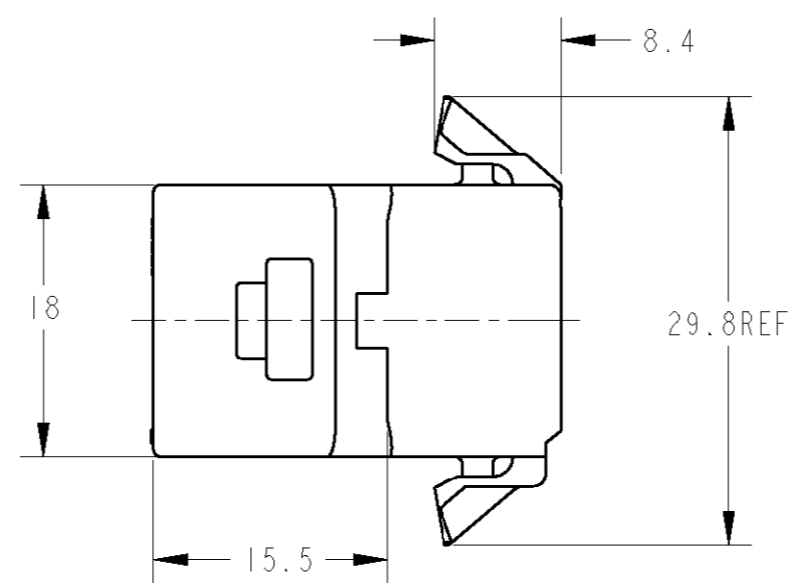
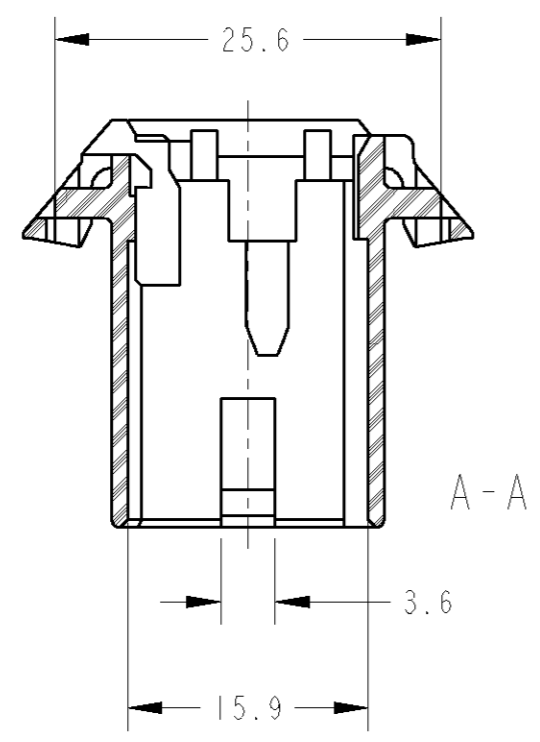


THIS DRAWING IS UNPUBLISHED. RELEASED FOR PUBLICATION  
 © COPYRIGHT - BY TYCO ELECTRONICS CORPORATION. ALL RIGHTS RESERVED.

LOC	DIST	REVISIONS						
		P	LTR	DESCRIPTION	ECN	DATE	DWN	APVD
J	-		O	RELEASED	FJ00-1945-01	12OCT01	ET	KA
			A	REVISED	FJ00-2476-01	24OCT01	ET	KA



SCALE 1:1



- 1. THE MATING INNER HOUSING  
PART NUMBER ; 1473866
- 2. PACKING STYLE ; INNER - BLISTER  
OUTER - PAPER BOX
- 1. 相手ハウジング型番 ; 1473866
- 2. 梱包形態 ; 内装 - フリスター  
外表 - タンボール

NATURAL (WHITE)	1473867-1
COLOR 色	PART NUMBER 製品型番

THIS DRAWING IS A CONTROLLED DOCUMENT FOR TYCO ELECTRONICS CORPORATION IT IS SUBJECT TO CHANGE AND THE CONTROLLING ENGINEERING ORGANIZATION SHOULD BE CONTACTED FOR THE LATEST REVISION.		DWN E. TAKIZAWA 12OCT01
DIMENSIONS: 単位: 概 mm		CHK Y. FUJIWALA 12OCT01
TOLERANCES UNLESS OTHERWISE SPECIFIED: ±0.3 0 PLC ± 1 PLC ±0.1 2 PLC ±0.01 3 PLC ±0.001 4 PLC ± ANGLES ±3°00'		APVD K. ASAI 12OCT01
MATERIAL 材料 PBT		PRODUCT SPEC 108-5471
FINISH 仕上 -		APPLICATION SPEC 取付適用規格
WEIGHT 4.5 g		WEIGHT 4.5 g
CUSTOMER DRAWING		

WIRE RANGE 抱合電線断面積		INSULATION DIA 被覆外径	
<b>AMP</b> Tyco Electronics AMP K.K. Kawasaki, Japan			
NAME 名称 040MLC CONNECTOR 8 POSITIONS CAP OUTER HOUSING (2 PIECES)			
SIZE A3	CAGE CODE 00779	DRAWING NO C-1473867	RESTRICTED TO
SCALE 尺度 2:1		SHEET 1	OF 1
		REV A	