

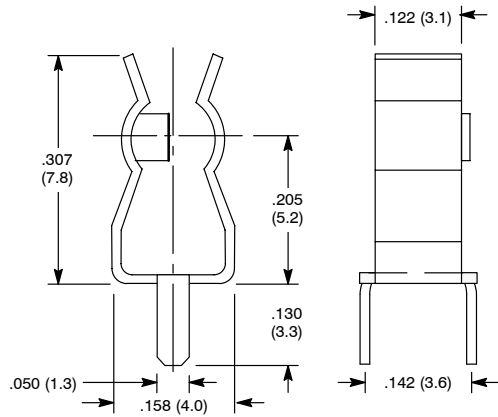
74-FC3, Fuse Clips

Specifications:

- For 3.6 x 10mm Fuse
- Contact Resistance: $-10M\Omega$ Max
- Rating: 6A / 250VAC



FA-01



74-FC5, Fuse Clips (Double Fluted)

Specifications:

- For 5 x 20mm Fuse
- Contact Resistance: $-10M\Omega$ Max
- Rating: 5A / 250VAC



FA-02

