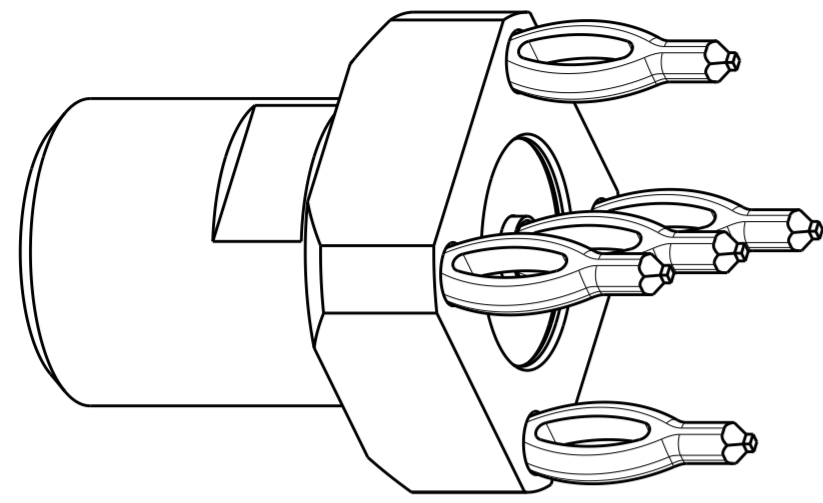


THIS DRAWING IS UNPUBLISHED. RELEASED FOR PUBLICATION 20  
 © COPYRIGHT 20 BY - ALL RIGHTS RESERVED.

| REVISIONS |     |                            |         |       |
|-----------|-----|----------------------------|---------|-------|
| P         | LTR | DESCRIPTION                | DATE    | APVD  |
| G         |     | RELEASED PER ECO 16-013320 | 9-27-16 | CT DW |

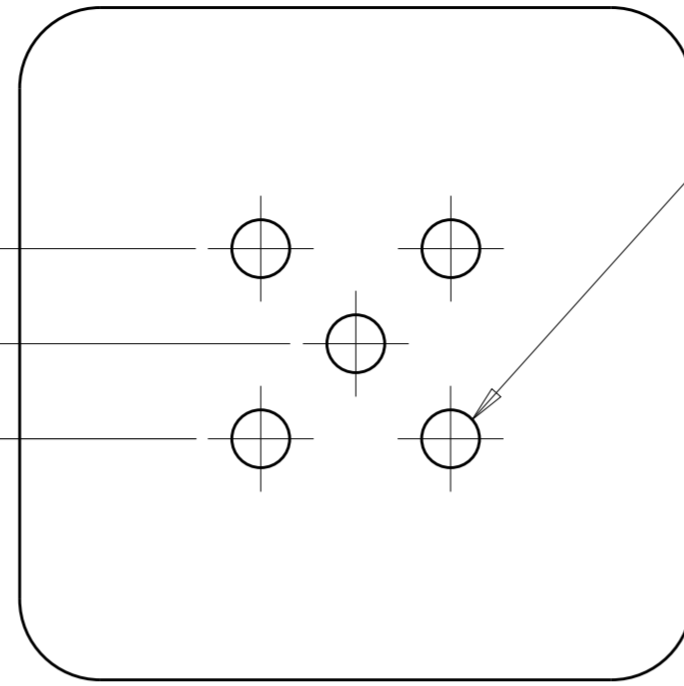


SCALE 10:1

2X .1414 [3.592]

2X .0707 [1.796]

SCALE 7:1



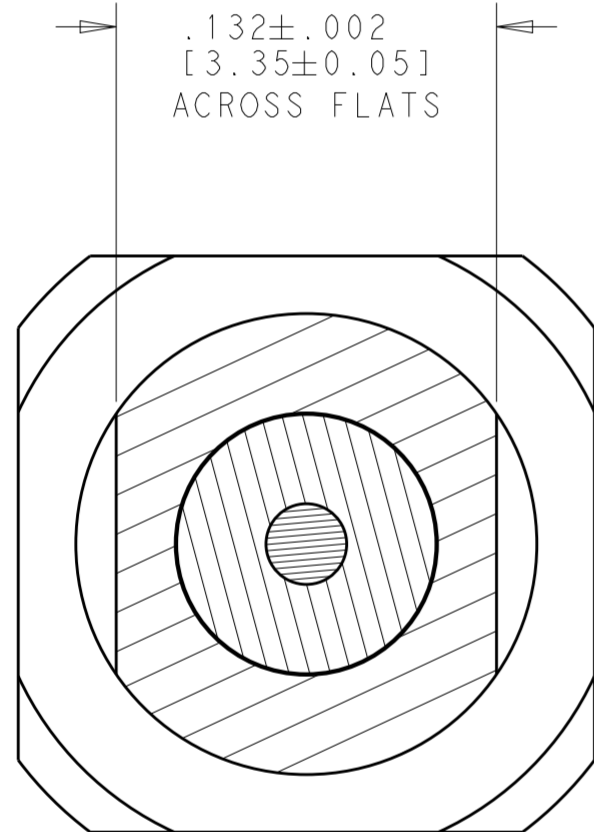
5X PLATED THRU HOLE

⊕ .004 [0.1]

(SEE TABLE)

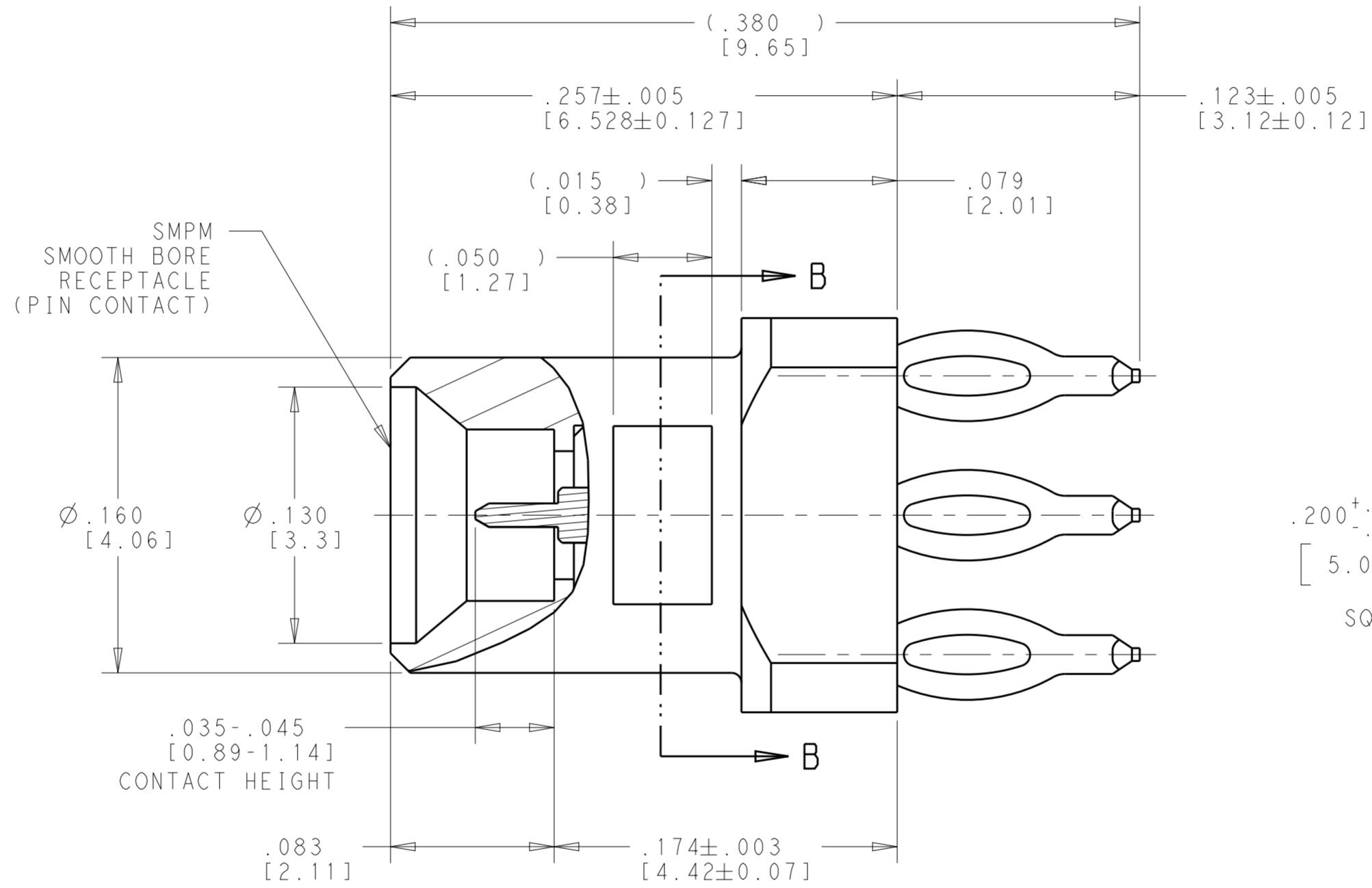
**PLATED THROUGH HOLE TABLE**

| DRILLED HOLE DIAMETER       | FINISHED HOLE DIAMETER     | DIAMETER AFTER REFLOW      |
|-----------------------------|----------------------------|----------------------------|
| .044-.046<br>(1.15±0.025mm) | .037-.043<br>(0.94-1.09mm) | .036-.043<br>(0.91-1.09mm) |
| COPPER PLATING              | .001-.003 (25-75um)        |                            |



.132±.002 [3.35±0.05]  
ACROSS FLATS

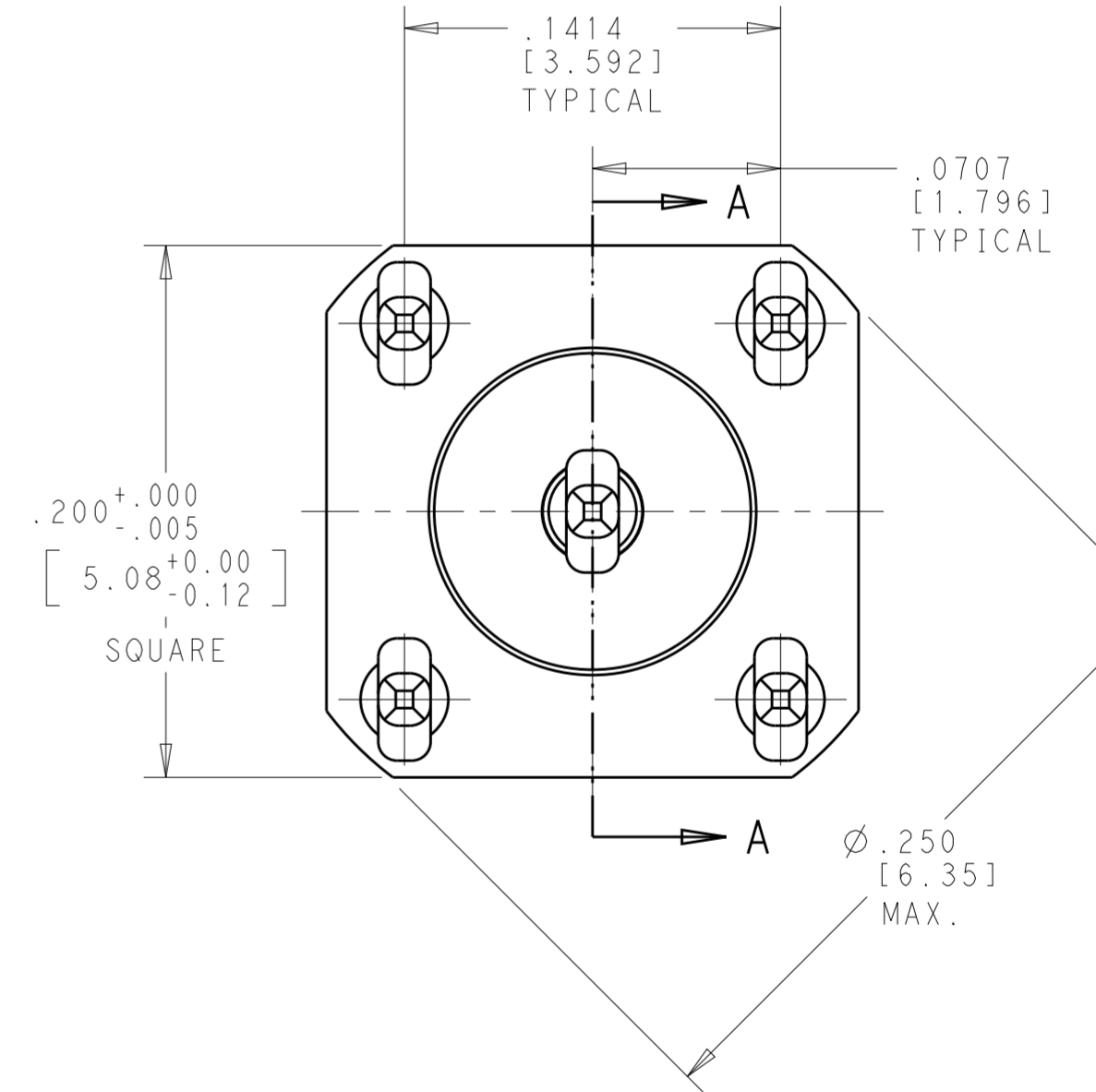
SECTION B-B



SMPM SMOOTH BORE RECEPTACLE (PIN CONTACT)

.035-.045 [0.89-1.14]  
CONTACT HEIGHT

SECTION A-A



.1414 [3.592]  
TYPICAL

.0707 [1.796]  
TYPICAL

.200<sup>+0.000</sup><sub>-.005</sub> [5.08<sup>+0.00</sup><sub>-0.12</sub>]  
SQUARE

∅.250 [6.35]  
MAX.

| COMPONENT                  | MATERIAL  | FINISH  |
|----------------------------|---|---|
| SMPM BODY & CENTER CONTACT | BERYLLIUM COPPER ALLOY UNS C17300 PER ASTM B196, CONDITION TD04 | GOLD PLATE PER ASTM B488 OVER NICKEL PLATE, PER SAE-AMS-QQ-N-290      |
| COMPLIANT PINS             | PHOSPHOR BRONZE, PER ASTM B103 CONDITION H06                    | TIN LEAD PLATE, PER ASTM B571, OVER NICKEL PLATE PER SAE-AMS-QQ-N-290 |
| INSULATOR                  | PTFE FLUOROCARBON PER ASTM D 1710                               | -----   |

1996318-1  
PART NUMBER

THIS DRAWING IS A CONTROLLED DOCUMENT.

DWN S.T. Morley 26SEP2007  
 CHK S.T. Morley 31AUG2010  
 APVD S.T. Morley 27SEPT2011

**STE** TE Connectivity

NAME SMPM STRAIGHT PLUG RECEPTACLE (M)  
 P.C.B. MOUNT, EON TERMINATION  
 SMOOTH BORE

SIZE CAGE CODE DRAWING NO RESTRICTED TO  
 WEIGHT 0.688 g A200779 C-1996318 -

CUSTOMER DRAWING SCALE 15:1 SHEET 1 OF 1 REV G