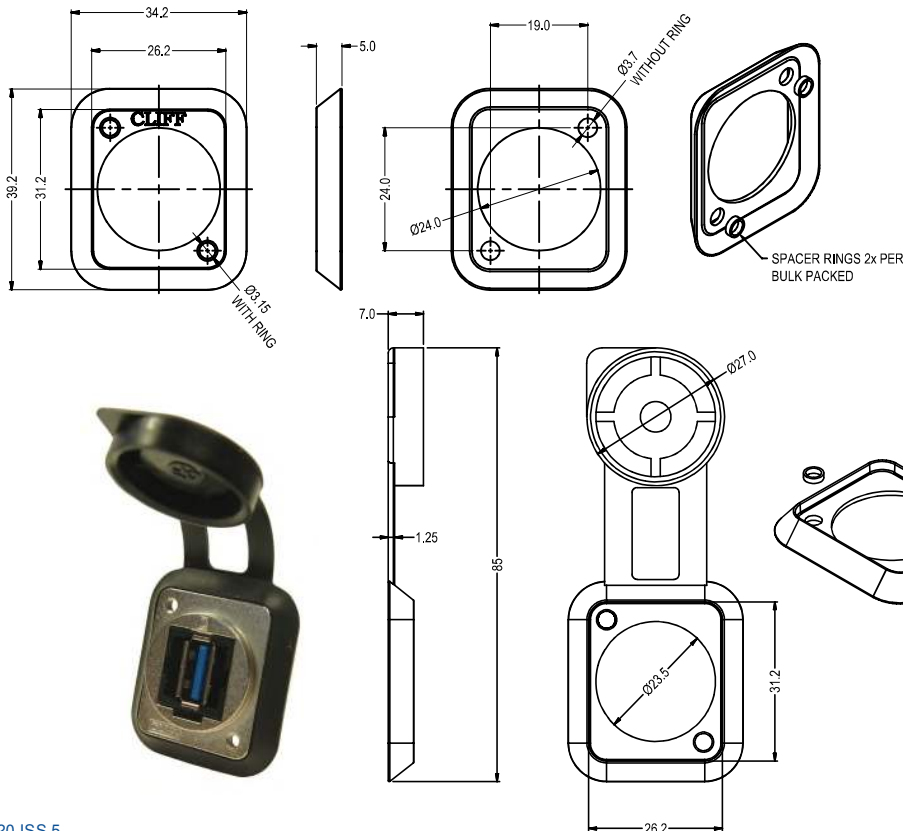


# CLIFF

## SEALING GASKET



These rubber gaskets are used as dust seals and for colour identification. They can be used with or without brass spacers (supplied). Using spacers can improve sealing function. The gaskets fit various models of our Feedthrough and XLR family and Cliffcon® range. Available in 7 standard colours. Custom colours subject to minimum order quantities. Version with attached cap is available in 4 colours. They fit most of our Feedthrough range (except ST / FC fibre), Cliffcon sockets and XLR's without latches.



Part No.	Colour
CP299802	Black with cap
CP299805	Green with cap
CP299807	Red with cap
CP299808	Blue with cap
CP299902	Black
CP299903	White
CP299904	Grey
CP299905	Green
CP299906	Yellow
CP299907	Red

© CLIFF 09/2020 ISS.5

**Cliff Electronic Components Limited,**  
 76 Holmethorpe Avenue, Holmethorpe Ind. Estate,  
 Redhill, Surrey RH1 2PF U.K.  
 Tel: +44 (0)1737 771375 Fax: +44 (0)1737 766012



Visit us online at: [www.cliffuk.co.uk](http://www.cliffuk.co.uk)