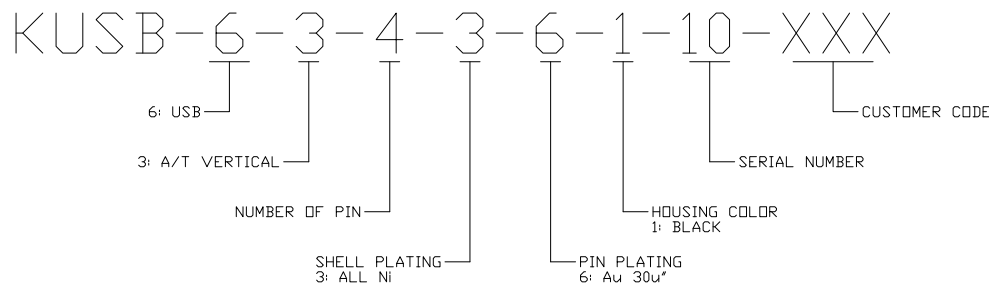
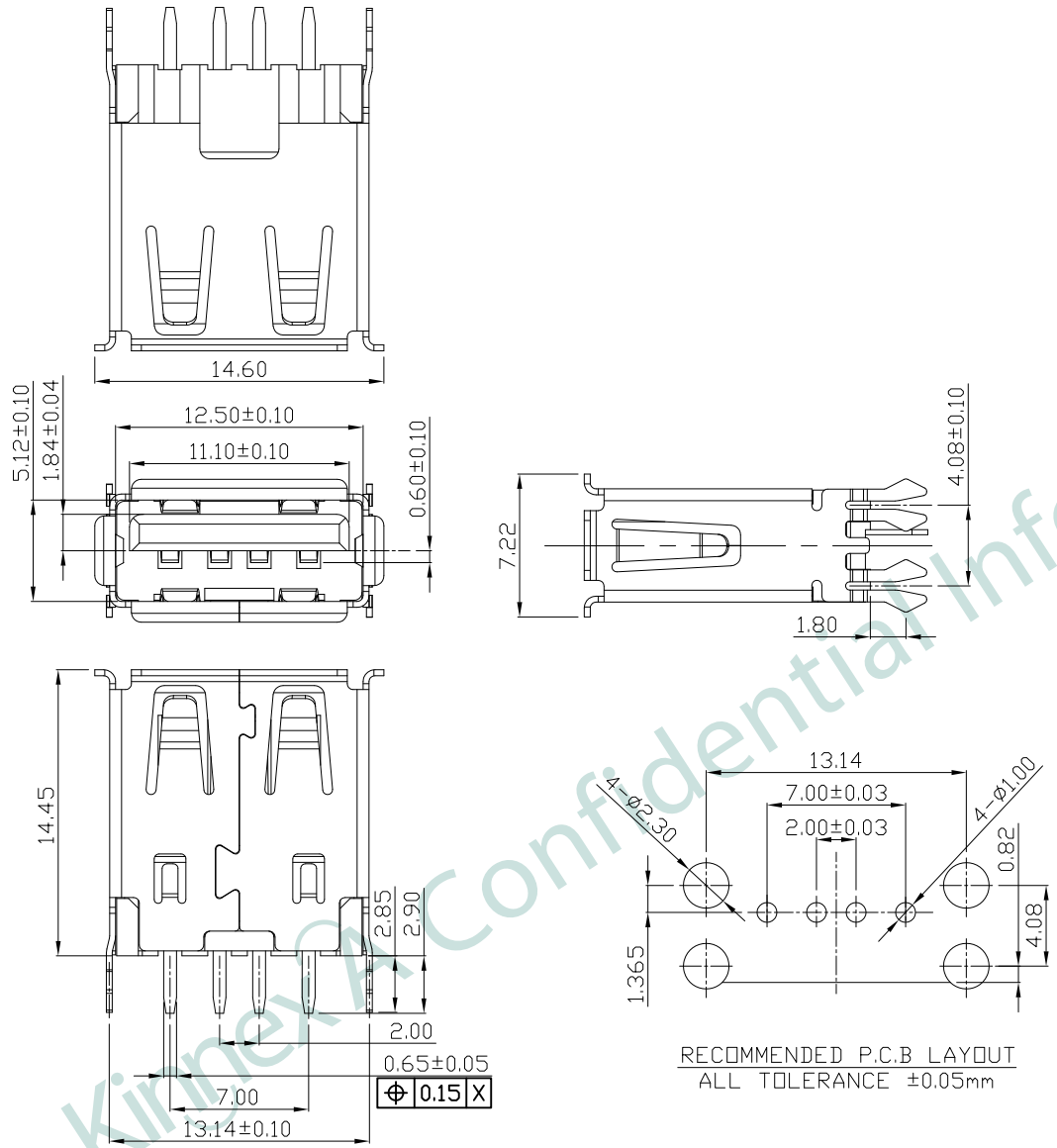


ITEM	PARTS NAME	Q'TY	MATERIAL	FINISH/REMARK
1	HOUSING	1	SYNTHETIC RESIN	BLACK
2	SHELL	1	COPPER ALLOY	Ni: 50u"
3	CONTACT	4	COPPER ALLOY	30u" GOLD, Ni: 50u", Tin: 150u"

REV.	DATE	DESCRIPTION
01	Apr. 29, '19	1st RELEASE

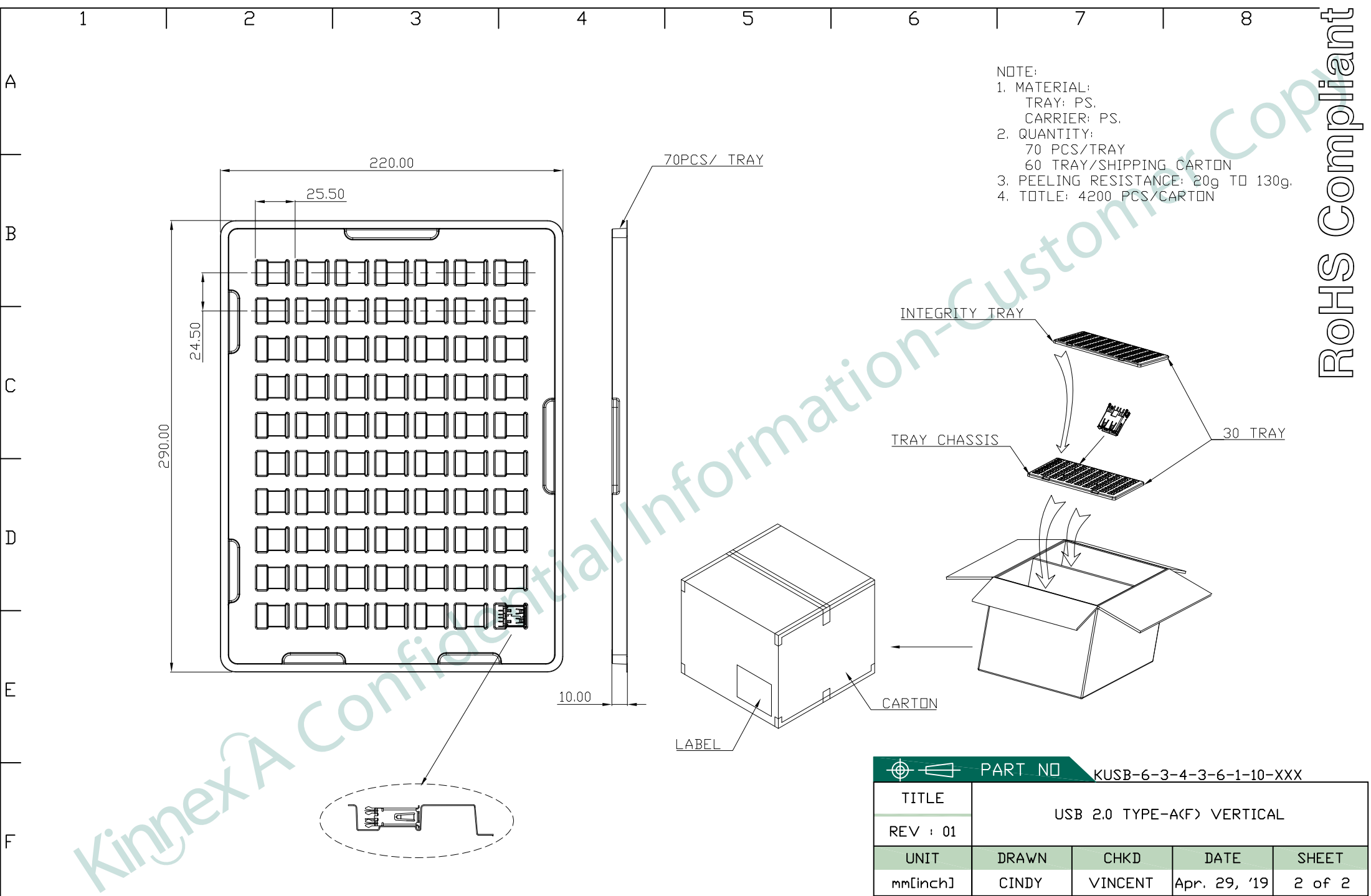
- NOTES: SPECIFICATION
1. MATERIAL
SEE DRAWING
 2. STANDARD DATA
RATING CURRENT: 1.5A
OPERATING TEMPERATURE: 0°C ~ +50°C
STORAGE TEMPERATURE: -20°C ~ +60°C
 3. ELECTRICAL
INSULATOR RESISTANCE: 1000 MOHMS MIN. @ 500 VDC
WITHSTANDING VOLTAGE: 500 VAC / MINUTE
CONTACT RESISTANCE: 30 MOHMS MAX.
 4. MECHANICAL
MATING FORCE: 35N (3.43KGF) MAX.
UNMATING FORCE: 10N(0.98KGF) MIN. AND
AFTER 1500 CYCLES 10N (0.98KGF) MAX.
DURABILITY: 5000 CYCLES MIN.
CONTACT RETENTION FORCE: 4.2N (0.43KGF) MIN.
 5. UNSPECIFIED TOLERANCE: .XX ±0.20
.X ±0.30



PART NO		KUSB-6-3-4-3-6-1-10-XXX			
TITLE	USB 2.0 TYPE-A(F) VERTICAL				
REV : 01					
UNIT	DRAWN	CHKD	DATE	SHEET	
mm[inch]	CINDY	VINCENT	Apr. 29, '19	1 of 2	

ROHS Compliant

NOTE:
 1. MATERIAL:
 TRAY: PS.
 CARRIER: PS.
 2. QUANTITY:
 70 PCS/TRAY
 60 TRAY/SHIPPING CARTON
 3. PEELING RESISTANCE: 20g TO 130g.
 4. TOTLE: 4200 PCS/CARTON



PART NO		KUSB-6-3-4-3-6-1-10-XXX		
TITLE	USB 2.0 TYPE-A(F) VERTICAL			
REV : 01				
UNIT	DRAWN	CHKD	DATE	SHEET
mm[inch]	CINDY	VINCENT	Apr. 29, '19	2 of 2