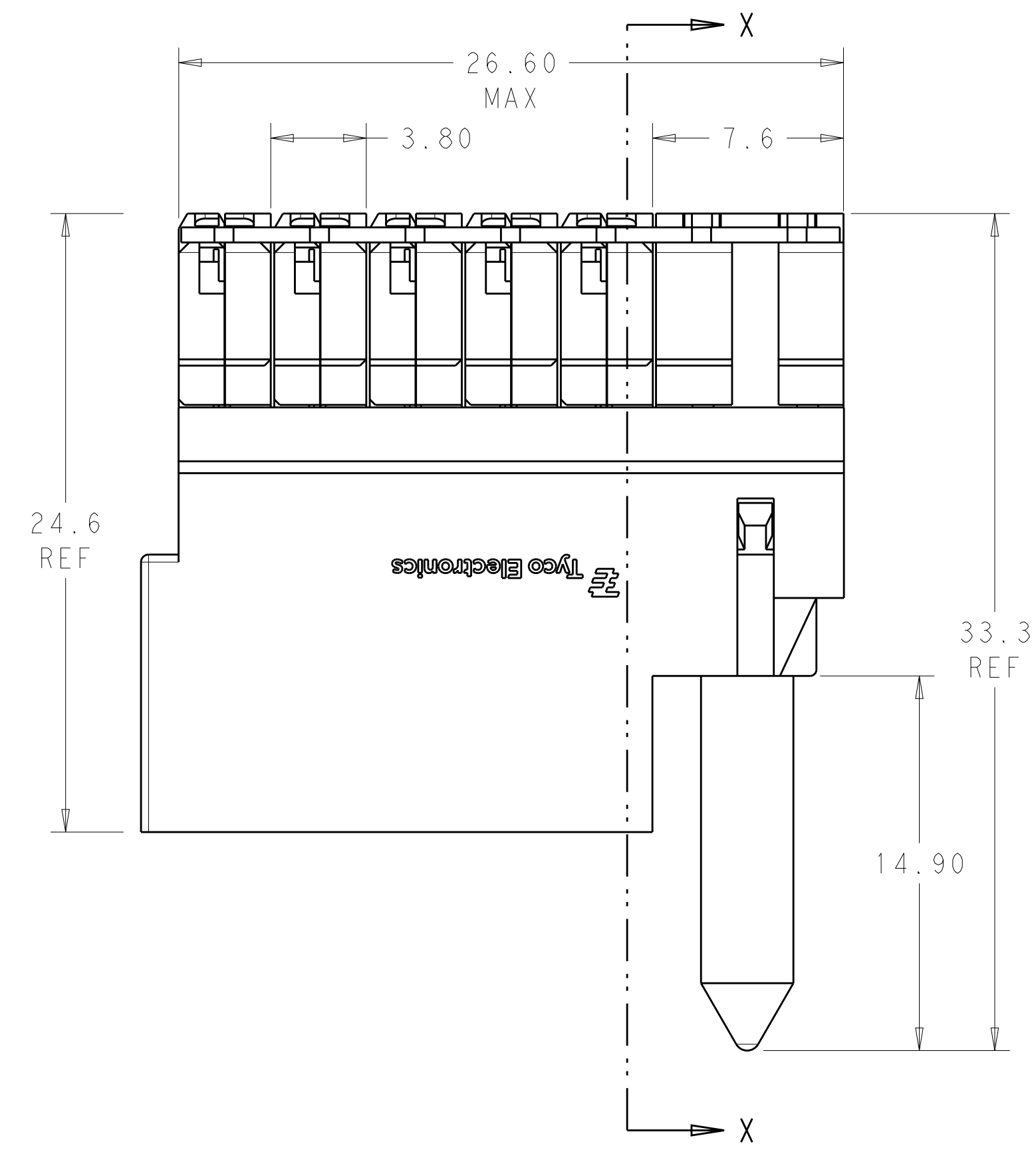
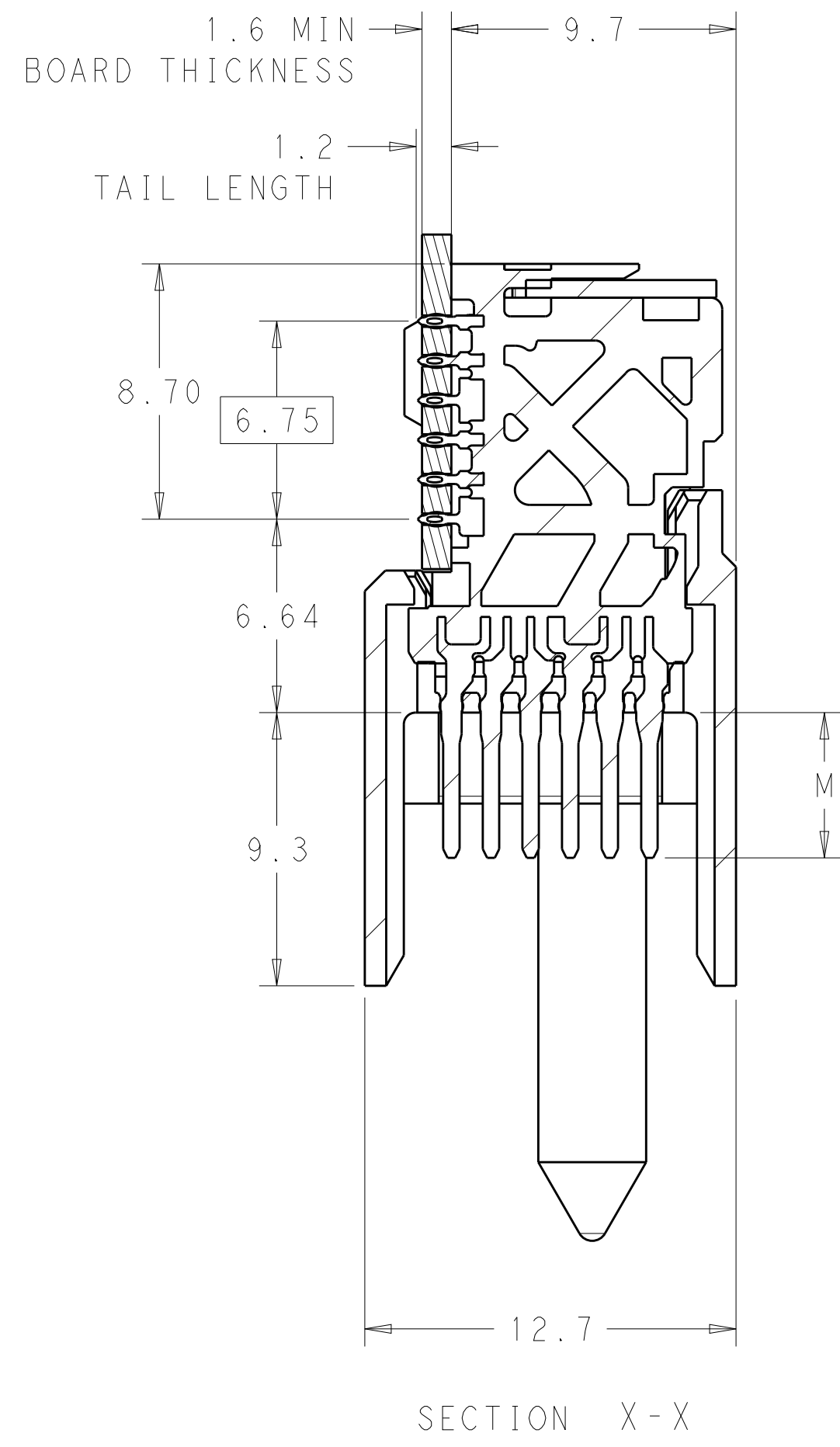
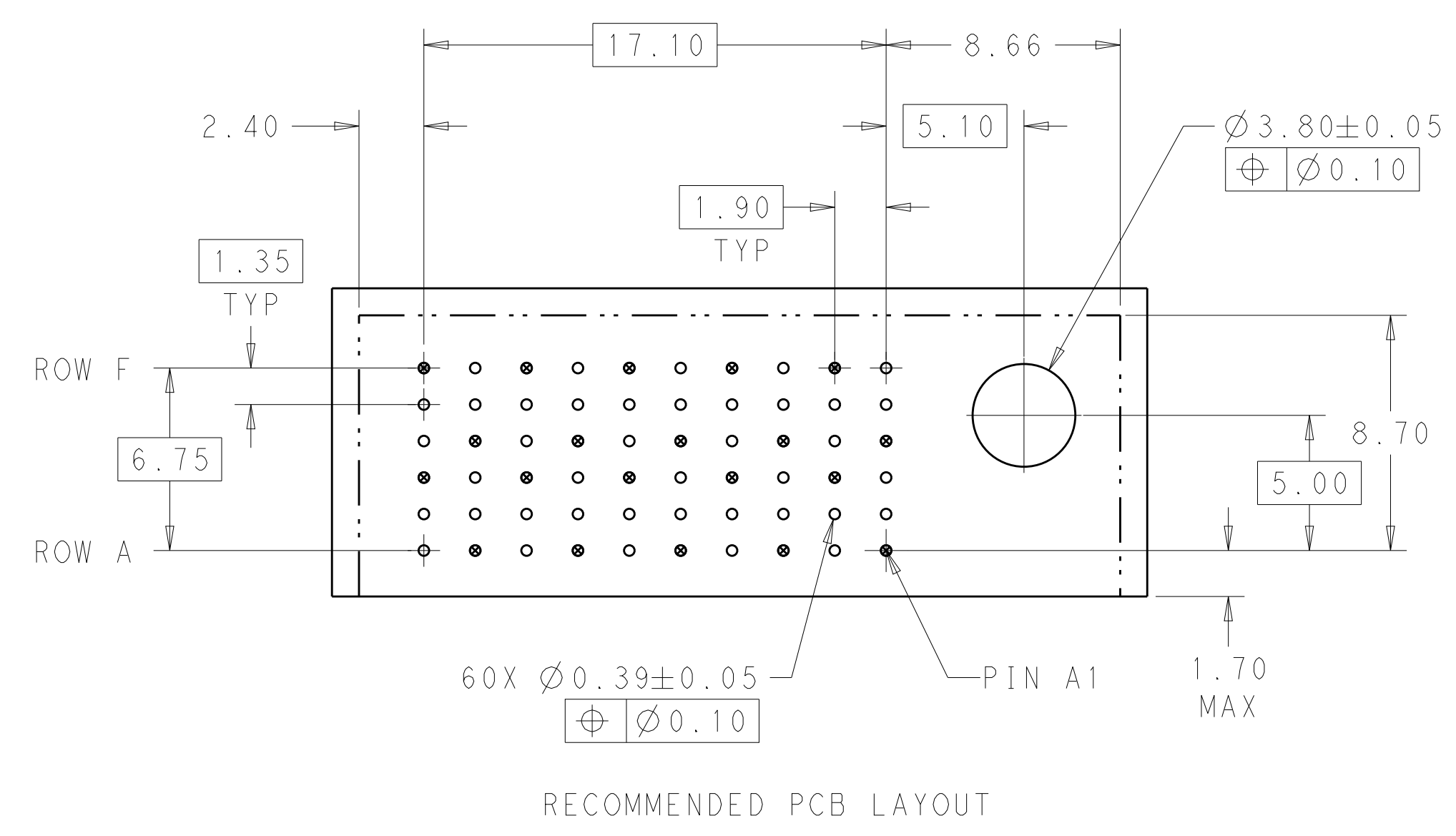
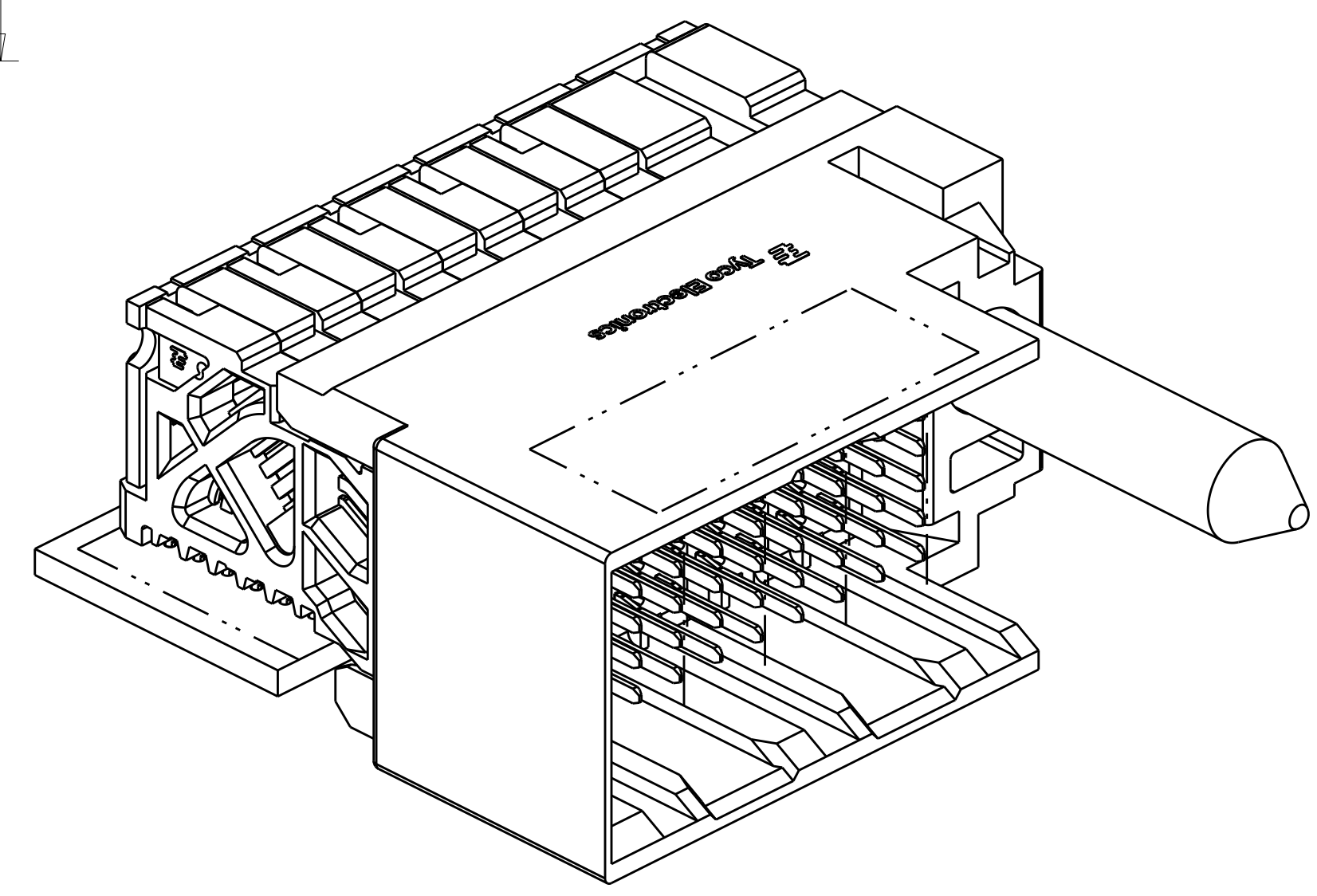
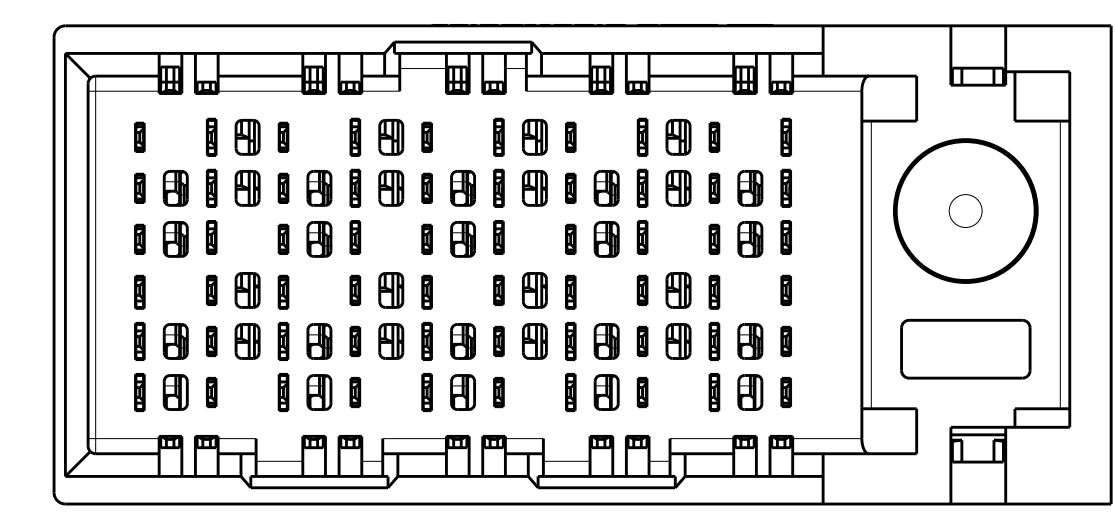


REVISIONS				
P.	LTN	DESCRIPTION	DATE	APVD
B1		REVISED PER ECO-15-003239	24MAR2015	AP DD

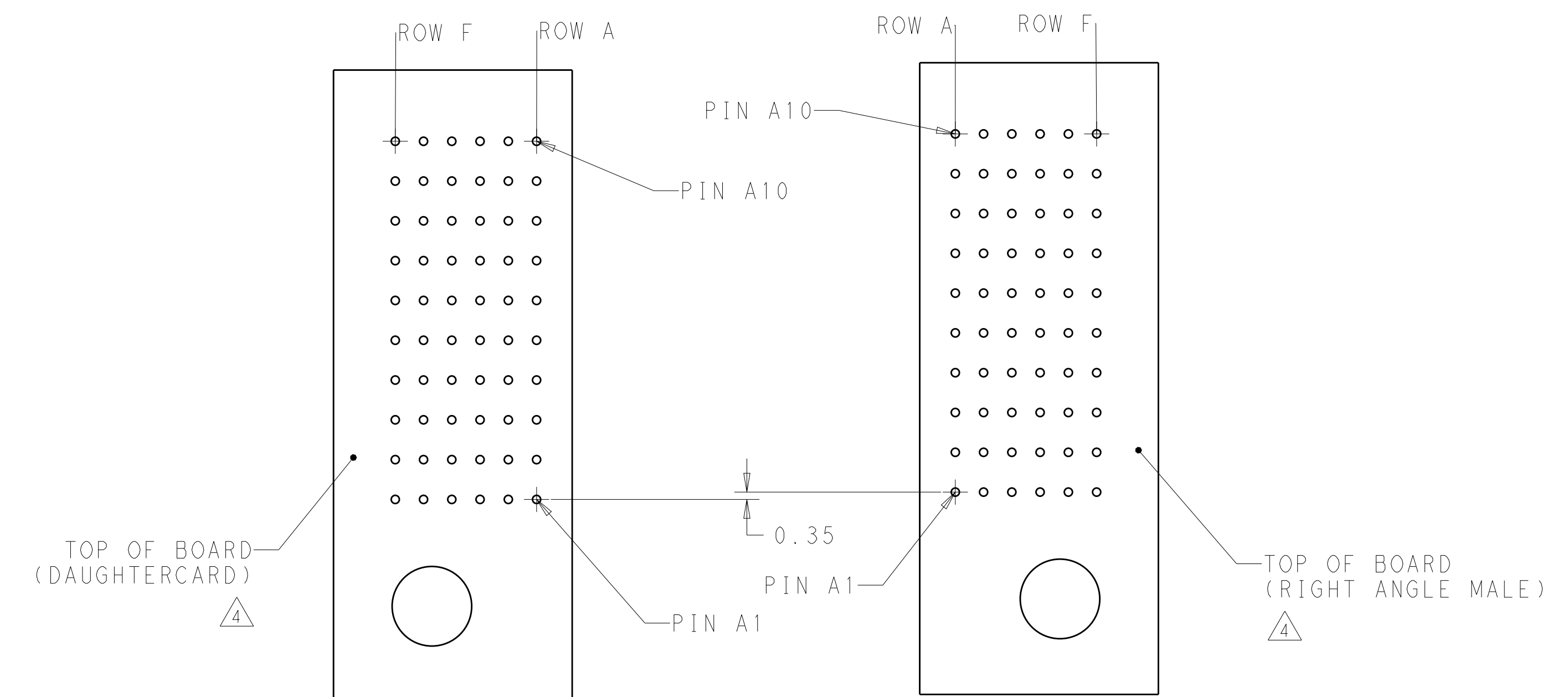


- 1 MATERIAL:
HOUSING: LCP, GLASS FILLED, UL94V-0.
TERMINALS: HIGH PERFORMANCE COPPER ALLOY.
- 2 FINISH:
30µm SELECTIVE GOLD IN CONTACT AREA. SELECTIVE TIN ON PCB TAILS, NICKEL OVERALL.
- 3 FINISH:
30µm SELECTIVE GOLD IN CONTACT AREA. SELECTIVE TIN-LEAD ON PCB TAILS, NICKEL OVERALL.
- 4 RIGHT GUIDED RIGHT ANGLE MALE MATES TO LEFT GUIDED RIGHT ANGLE RECEPTACLE.
- 5. CONNECTOR SUPPLIED WITH MOUNTING SCREW.



THIS DRAWING IS A CONTROLLED DOCUMENT.		DWN: 07APR2011	STE TE Connectivity
DIMENSIONS: mm		CHK: J. EARY 07APR2011	
TOLERANCES UNLESS OTHERWISE SPECIFIED:		APVD: J. EARY 07APR2011	NAME: IMPACT, STD. RAM, 2 PAIR, 10 COLUMN, RIGHT GUIDED LEFT END WALL SIGNAL MODULE, 0.39 EYELET
0 PLC ±0.25		PRODUCT SPEC	
1 PLC ±0.13		APPLICATION SPEC	SIZE: CAGE CODE DRAWING NO. RESTRICTED TO
2 PLC ±		WEIGHT	A100779C=2143019
3 PLC ±		Customer Drawing	SCALE: 5:1 SHEET 1 OF 2 REV: B1
4 PLC ±			
ANGLES			
FINISH: SEE TABLE			

REVISIONS				
P.	LTM	DESCRIPTION	DATE	OWN APVD
-	-	SEE SHEET 1	-	-



COPLANAR MATED SIGNAL PATHS



	5.50	2143019-6
	4.90	2143019-5
	5.50	2143019-3
	4.90	2143019-2
FINISH	DIM M	PART NUMBER

REFER TO WWW.TE.COM FOR PRODUCT AVAILABILITY

THIS DRAWING IS A CONTROLLED DOCUMENT.		DWN 07APR2011	TE Connectivity
DIMENSIONS:		CHK J. EARY 07APR2011	
mm		APVD J. EARY 07APR2011	
TOLERANCES UNLESS OTHERWISE SPECIFIED: 0 PLC ± 1 PLC ±0.25 2 PLC ±0.13 3 PLC ± 4 PLC ± ANGLES ±		NAME IMPACT, STD, RAM, 2 PAIR, 10 COLUMN, RIGHT GUIDED LEFT END WALL SIGNAL MODULE, 0.39 EYELET	
MATERIAL	FINISH	SEE TABLE	RESTRICTED TO
Customer Drawing		SCALE 5:1 SHEET 2 OF 2 REV B1	SIZE CAGE CODE DRAWING NO. A100779C=2143019