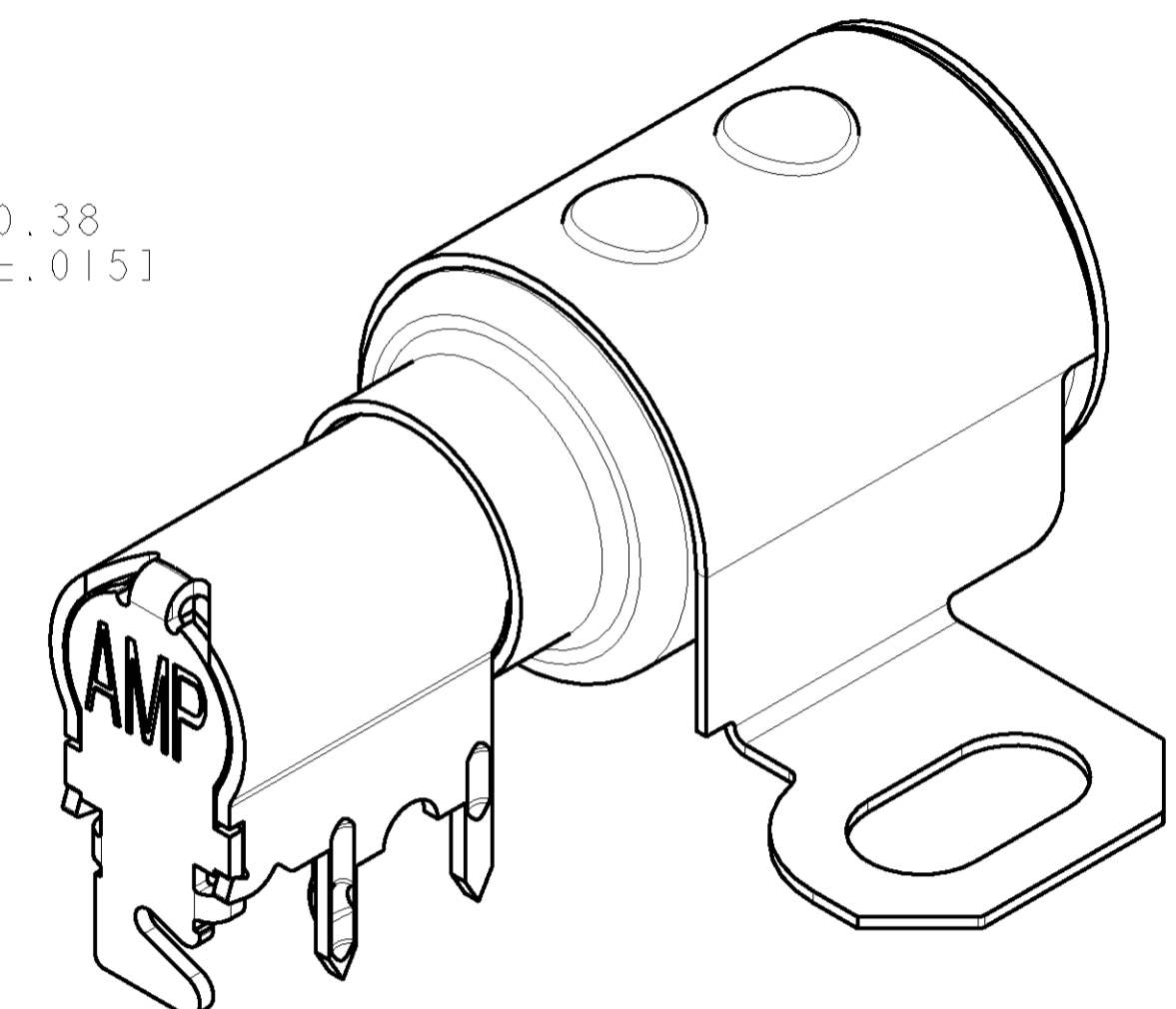
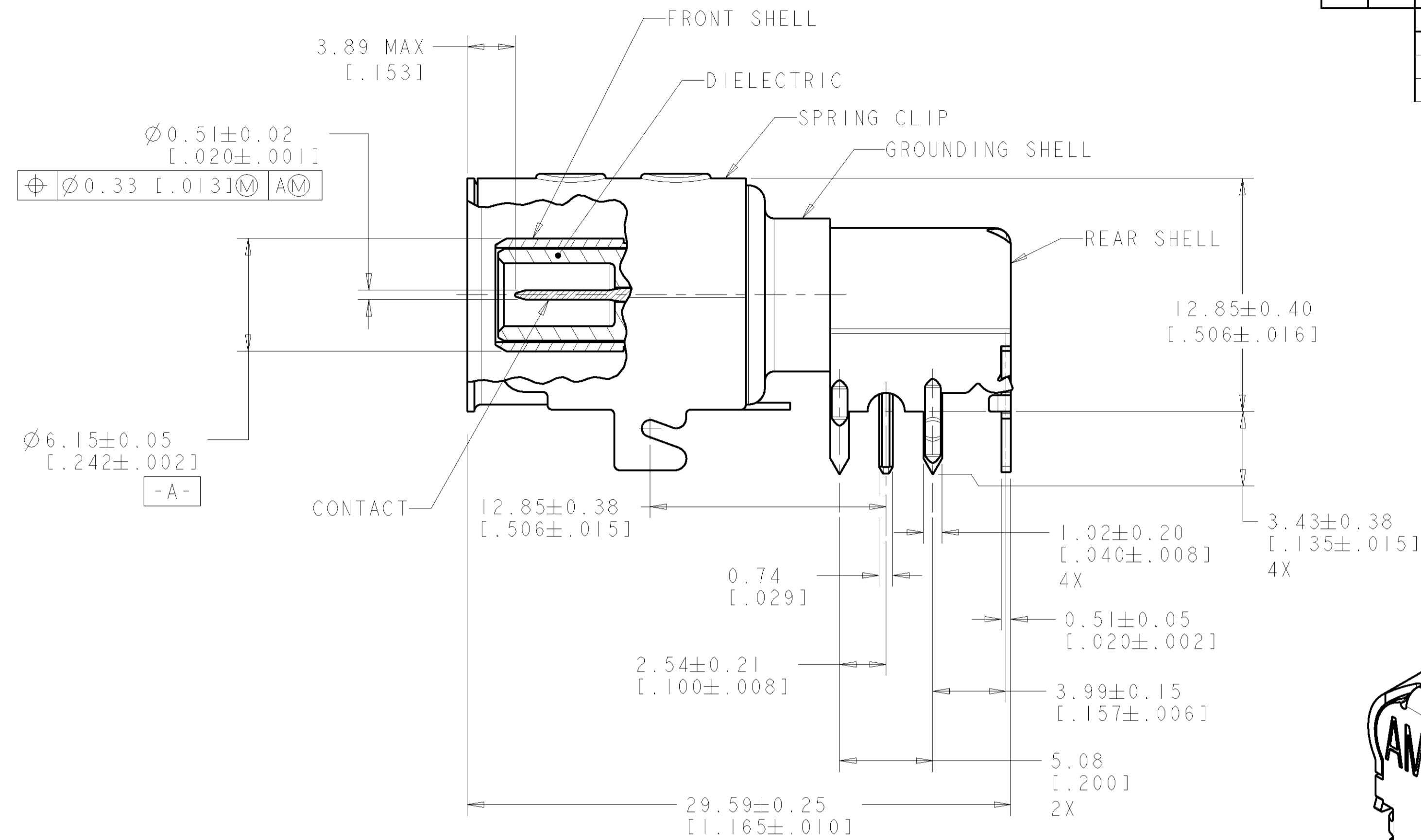
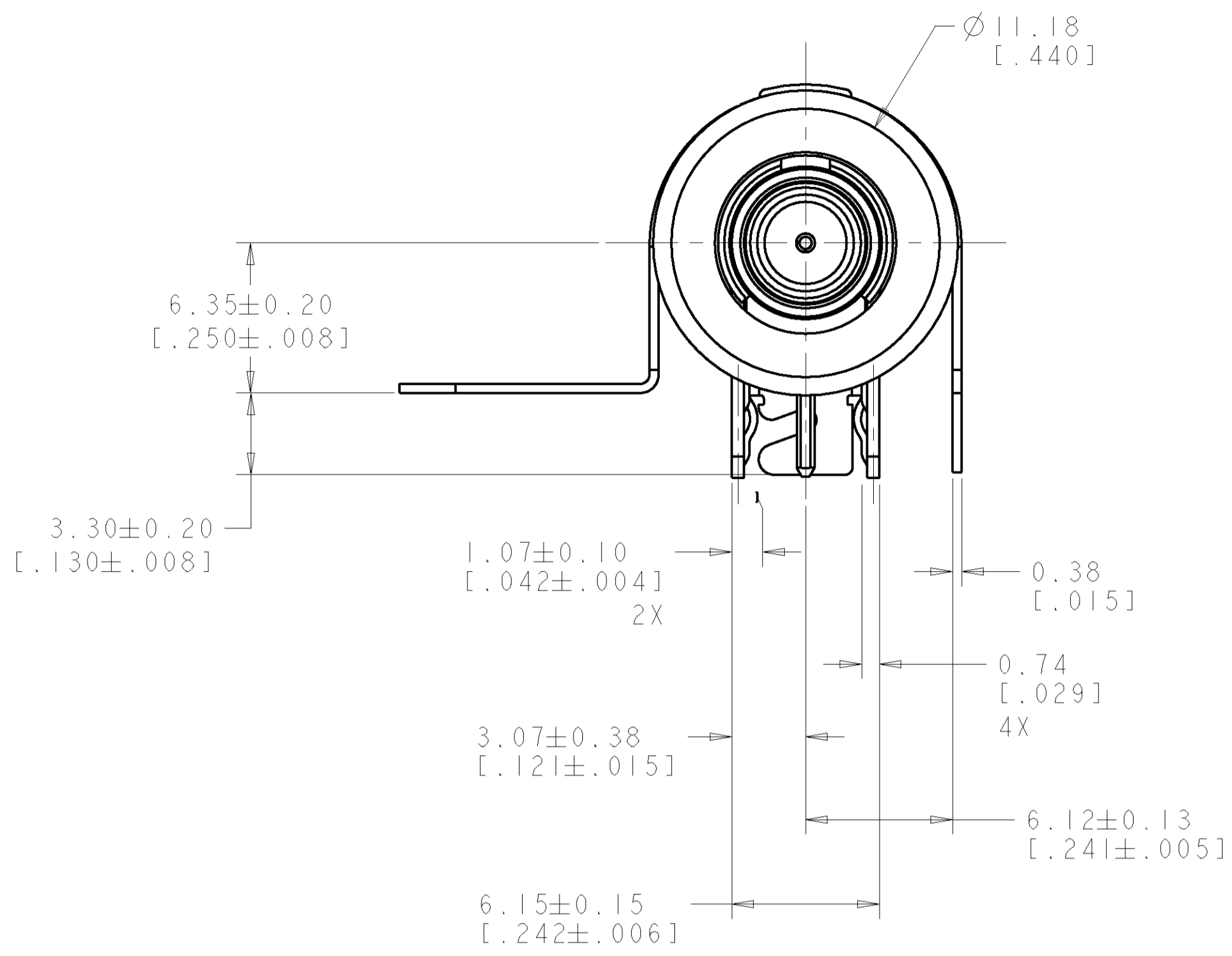
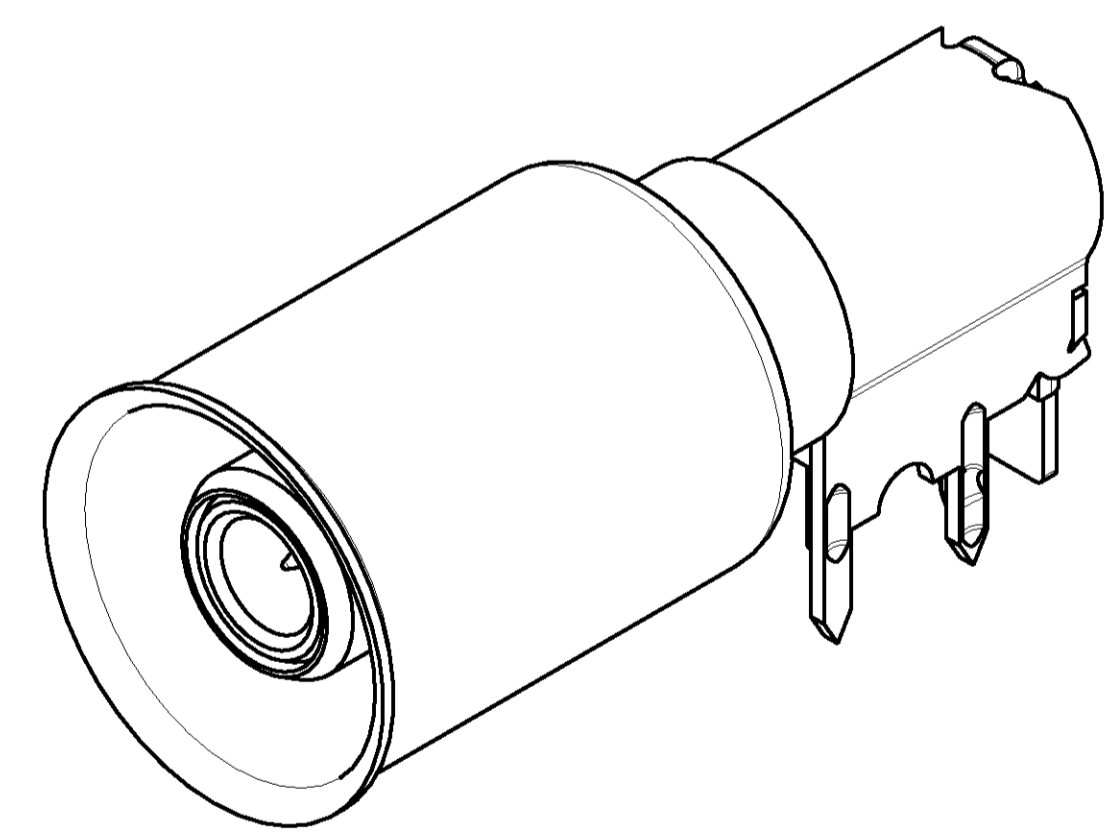
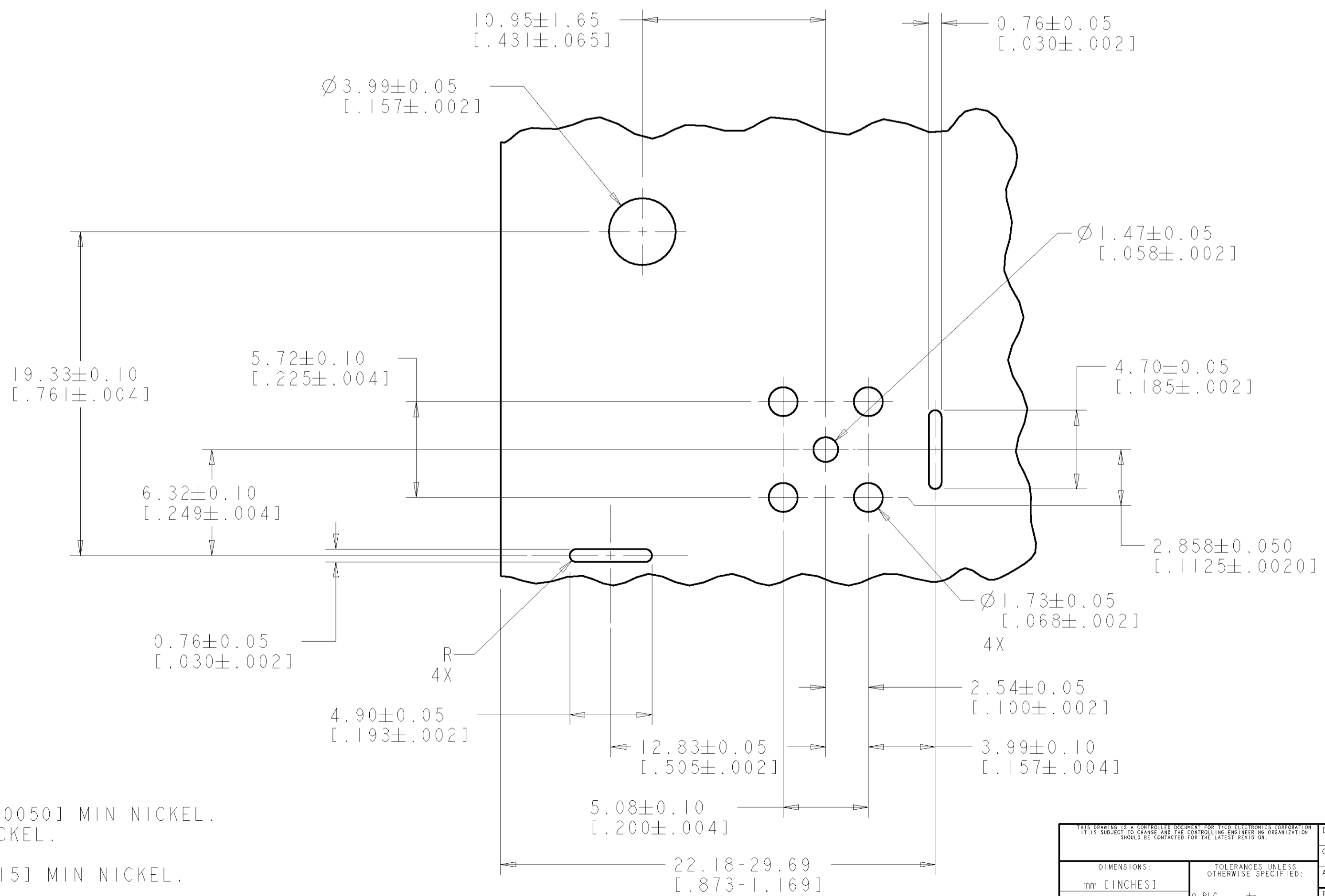
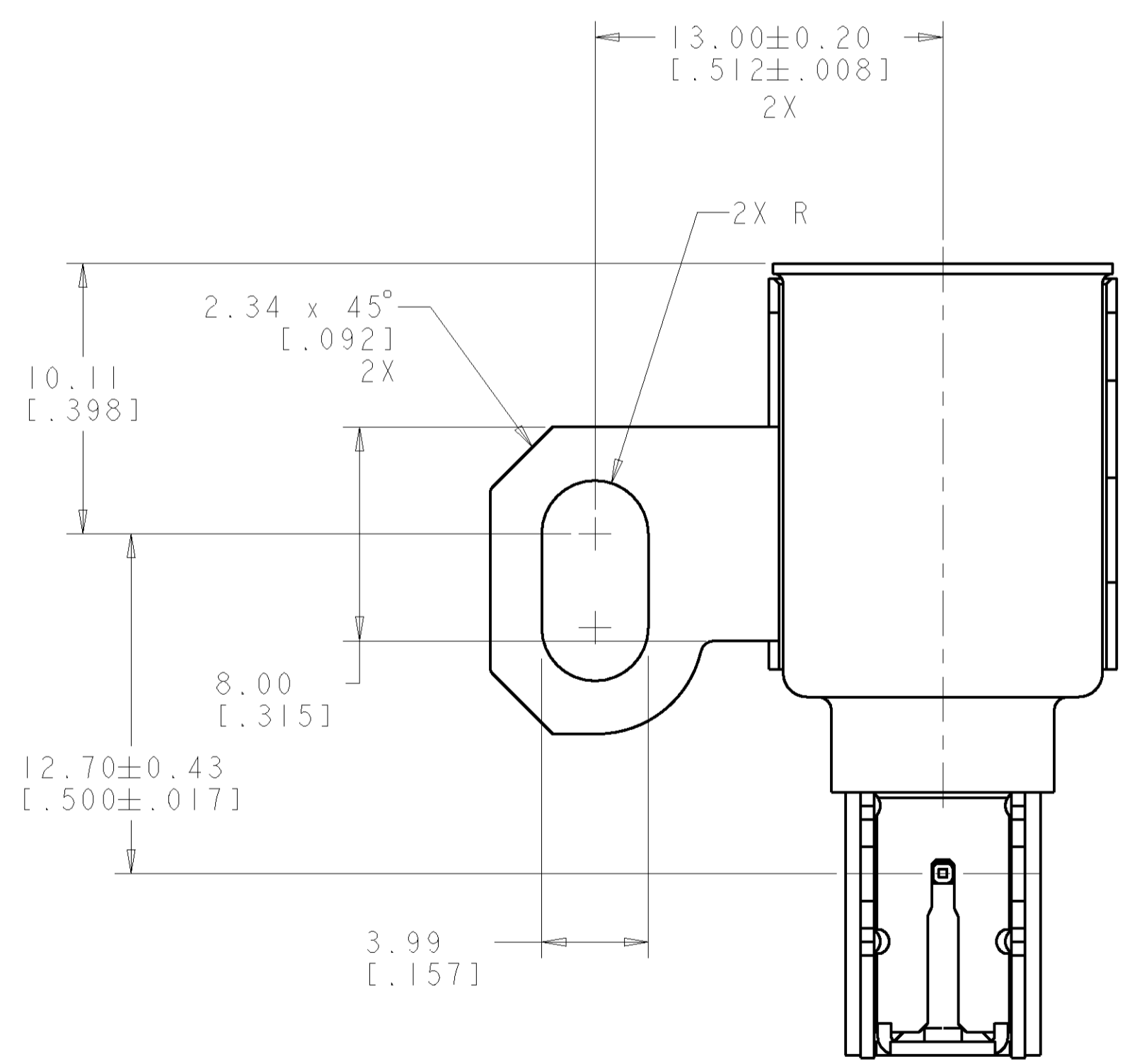


LOC	DIST	REVISIONS					
		P	LTH	DESCRIPTION	DATE	DWN	APVD
		D		REVISED PER ECR 07-016700	18JUL2007	DLD	LLV



1488886-1
WITH SPRING CLIP



1488886-5
WITHOUT SPRING CLIP

- 1 FRONT SHELL, REAR SHELL AND CONTACT - BRASS.
 DIELECTRIC - POLYMETHYLPENTENE, NATURAL.
 GROUNDING SHELL SUBASSEMBLY:
 GROUNDING SHELL - BRASS.
 SPRING CLIP - PHOSPHOR BRONZE.
- 2 FRONT AND REAR SHELL - 2.54µm [.000100] MIN TIN OVER 1.27µm [.000050] MIN NICKEL.
 CONTACT - 3.81µm [.000150] MIN TIN OVER 1.27µm [.000050] MIN NICKEL.
 GROUNDING SHELL SUBASSEMBLY:
 GROUNDING SHELL - 5.08µm [.000200] MIN TIN OVER 0.38µm [.000015] MIN NICKEL.
 SPRING CLIP - 3.0µm [.000118] MIN TIN.

3. PART MUST FIT TO PCB WITHOUT DAMAGE

RECOMMENDED PC BOARD LAYOUT
CONNECTOR SIDE OF BOARD

DESCRIPTION	PART NUMBER
WITHOUT SPRING CLIP	1488886-5
WITH SPRING CLIP	1488886-1

DIMENSIONS: mm [INCHES]		TOLERANCES UNLESS OTHERWISE SPECIFIED: 0 PLC ± .01 1 PLC ± .01 2 PLC ± .01 3 PLC ± .01 4 PLC ± .01 ANGLES ± .1°		DWN: J. HARDY 16SEP2003 CHK: J. M. RAUDENBUSH 16SEP2003 APVD: J. M. RAUDENBUSH 16SEP2003 NAME: J. M. RAUDENBUSH PRODUCT SPEC: - APPLICATION SPEC: - 114-13138 WEIGHT: - CUSTOMER DRAWING		Tyco Electronics Harrisburg, PA 17105-3608 JACK ASSEMBLY, PC BOARD, 1 POSITION, SNAP-LOCK SIZE: 114-13138 SCALE: 5:1 SHEET: 1 OF 1 REV: D	
----------------------------	--	---	--	--	--	---	--