



GAGA10KM3499J15 MINIATURE GLASS AXIAL NTC THERMISTOR

Glass Hermetic Encapsulation with
High Resistance to Humid Environments

Wide Operating Temperature Range

RoHS Compliant

The GAGA10KM3499J15 is a NTC chip hermetically sealed in a miniature glass encapsulation package.

FEATURES

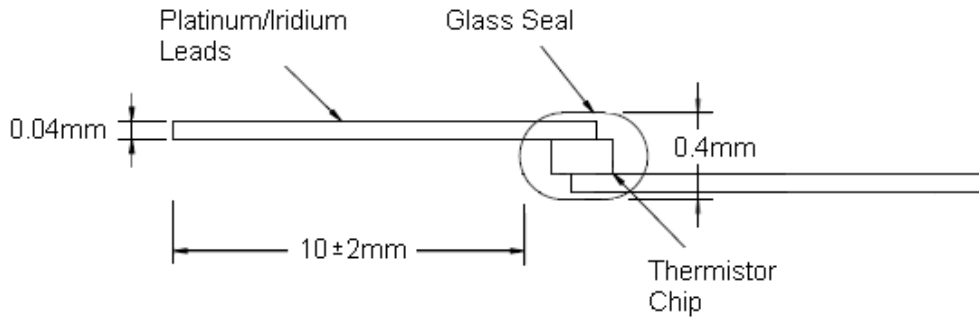
- Hermetically sealed glass package
- High stability at elevated temperatures
- Available in $\pm 20\%$ tolerance @ $+25^{\circ}\text{C}$
- Fast time response
- Pt/Ir lead wires suitable for welding
- Temperature range -40°C to $+250^{\circ}\text{C}$

APPLICATIONS

- Air flow detection systems
- Blood analysis
- Liquid level sensing
- Platen Temperature sensing
- Medical Catheter devices
- Fluid flow sensing

GAGA10KM3499J15 MINIATURE GLASS AXIAL NTC THERMISTOR

MECHANICAL DETAILS



PERFORMANCE SPECS

Parameters	Units	Value
Nominal Resistance at +25°C	Ohms	10,000
Resistance Tolerance at +25°C	°C	±20
Beta Value 25/85	K	3499
Dissipation Constant in Still Air	mW/°C	0.15
Time Response in Still Air	Seconds	< 1

**GAGA10KM3499J15
MINIATURE GLASS AXIAL NTC THERMISTOR**

RESISTANCE V TEMPERATURE TABLE

Temp. °C	R Ohms	Temp. °C	R Ohms	Temp. °C	R Ohms	Temp. °C	R Ohms
-40	217,645	4	23,670	48	4,358	92	1,155
-39	205,391	5	22,662	49	4,213	93	1,125
-38	193,904	6	21,702	50	4,074	94	1,095
-37	183,132	7	20,788	51	3,940	95	1,067
-36	173,026	8	19,918	52	3,812	96	1,039
-35	163,541	9	19,089	53	3,688	97	1,012
-34	154,635	10	18,300	54	3,569	98	986
-33	146,270	11	17,547	55	3,454	99	960
-32	138,408	12	16,830	56	3,344	100	936
-31	131,019	13	16,146	57	3,237	101	912
-30	124,069	14	15,494	58	3,135	102	889
-29	117,531	15	14,871	59	3,036	103	866
-28	111,377	16	14,278	60	2,941	104	845
-27	105,584	17	13,711	61	2,850	105	824
-26	100,127	18	13,170	62	2,762	106	803
-25	94,986	19	12,653	63	2,677	107	783
-24	90,140	20	12,159	64	2,595	108	764
-23	85,571	21	11,688	65	2,515	109	745
-22	81,261	22	11,237	66	2,439	110	727
-21	77,195	23	10,806	67	2,366	111	710
-20	73,356	24	10,394	68	2,295	112	692
-19	69,731	25	10,000	69	2,226	113	676
-18	66,308	26	9,623	70	2,160	114	660
-17	63,073	27	9,262	71	2,096	115	644
-16	60,015	28	8,917	72	2,035	116	629
-15	57,124	29	8,587	73	1,975	117	614
-14	54,389	30	8,270	74	1,918	118	599
-13	51,802	31	7,967	75	1,862	119	585
-12	49,352	32	7,677	76	1,808	120	572
-11	47,034	33	7,399	77	1,757	121	559
-10	44,838	34	7,132	78	1,706	122	546
-9	42,757	35	6,877	79	1,658	123	533
-8	40,785	36	6,632	80	1,611	124	521
-7	38,916	37	6,397	81	1,566	125	509
-6	37,143	38	6,171	82	1,522	126	498
-5	35,461	39	5,955	83	1,480	127	486
-4	33,866	40	5,747	84	1,439	128	475
-3	32,351	41	5,548	85	1,399	129	465
-2	30,913	42	5,357	86	1,361	130	455
-1	29,548	43	5,173	87	1,324	131	444
0	28,250	44	4,997	88	1,288	132	435
1	27,017	45	4,828	89	1,253	133	425
2	25,845	46	4,665	90	1,220	134	416
3	24,730	47	4,508	91	1,187	135	407

**GAGA10KM3499J15
MINIATURE GLASS AXIAL NTC THERMISTOR**

RESISTANCE V TEMPERATURE TABLE

Temp. °C	R Ohms
136	398
137	389
138	381
139	373
140	365
141	357
142	350
143	342
144	335
145	328
146	322
147	315
148	309
149	302
150	296
151	290
152	284
153	279
154	273
155	268
156	262
157	257
158	252
159	247
160	242
161	238
162	233
163	229
164	224
165	220
166	216
167	212
168	208
169	204
170	200
171	196
172	193
173	189
174	186
175	182
176	179
177	176
178	172
179	169

Temp. °C	R Ohms
180	166
181	163
182	160
183	158
184	155
185	152
186	150
187	147
188	144
189	142
190	139
191	137
192	135
193	132
194	130
195	128
196	126
197	124
198	122
199	120
200	118
201	116
202	114
203	112
204	110
205	108
206	107
207	105
208	103
209	102
210	100
211	98
212	97
213	95
214	94
215	92
216	91
217	90
218	88
219	87
220	86
221	84
222	83
223	82

Temp. °C	R Ohms
224	80
225	79
226	78
227	77
228	76
229	75
230	74
231	73
232	71
233	70
234	69
235	68
236	67
237	66
238	65
239	65
240	64
241	63
242	62
243	61
244	60
245	59
246	59
247	58
248	57
249	56
250	55

**GAGA10KM3499J15
MINIATURE GLASS AXIAL NTC THERMISTOR**

ORDERING INFORMATION

Part Number	Description	Ω @25°C	MOQ*
GAGA10KM3499J15	Miniature Glass Axial NTC Thermistor	10,000	1,000

* For quantities less than MOQ (Minimum Order Quantity) contact Distribution

NORTH AMERICA
Tel +1 800 522 6752
customercare.ando@te.com

EUROPE
Tel +31 73 624 6999
customercare.glw@te.com

ASIA
Tel +86 0400 820 6015
customercare.chdu@te.com

te.com/sensorsolutions

TE Connectivity, TE, and the TE connectivity (logo) are trademarks of the TE Connectivity Ltd. family of companies. Other logos, products and/or company names referred to herein may be trademarks of their respective owners.

The information given herein, including drawings, illustrations and schematics which are intended for illustration purposes only, is believed to be reliable. However, TE Connectivity makes no warranties as to its accuracy or completeness and disclaims any liability in connection with its use. TE Connectivity's obligations shall only be as set forth in TE Connectivity's Standard Terms and Conditions of Sale for this product and in no case will TE Connectivity be liable for any incidental, indirect or consequential damages arising out of the sale, resale, use or misuse of the product. Users of TE Connectivity products should make their own evaluation to determine the suitability of each such product for the specific application.

© 2018 TE Connectivity Ltd. family of companies All Rights Reserved.