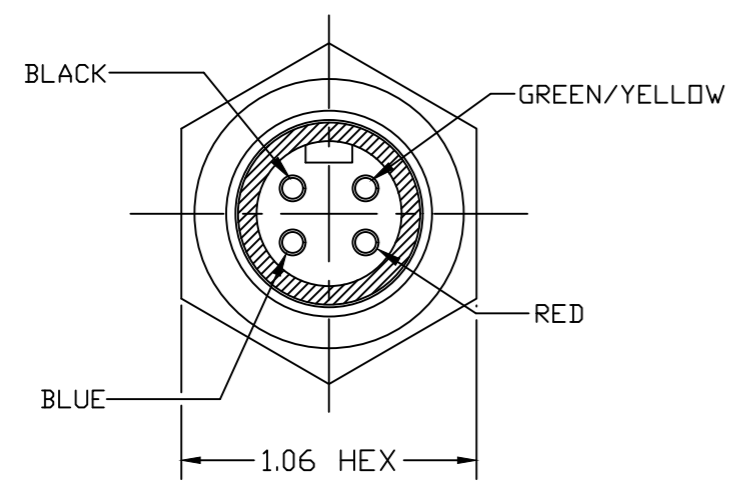
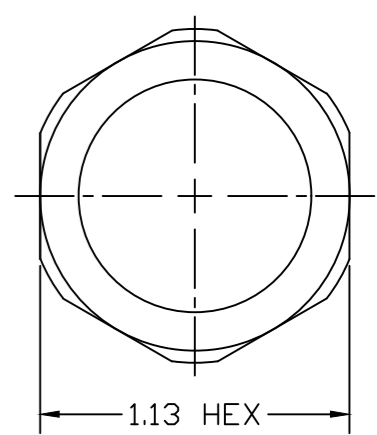
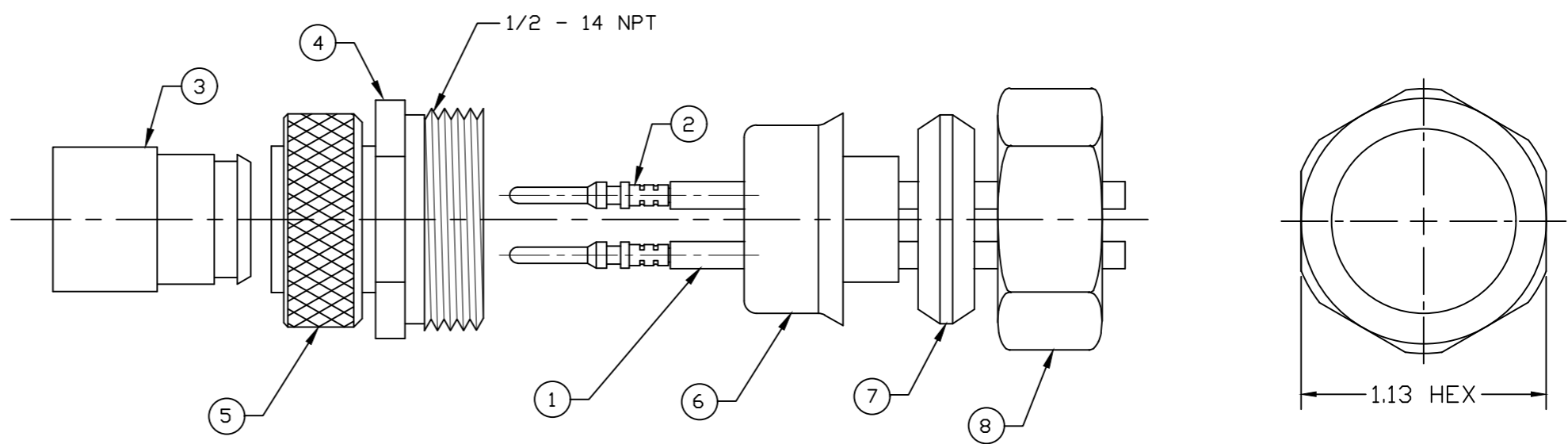


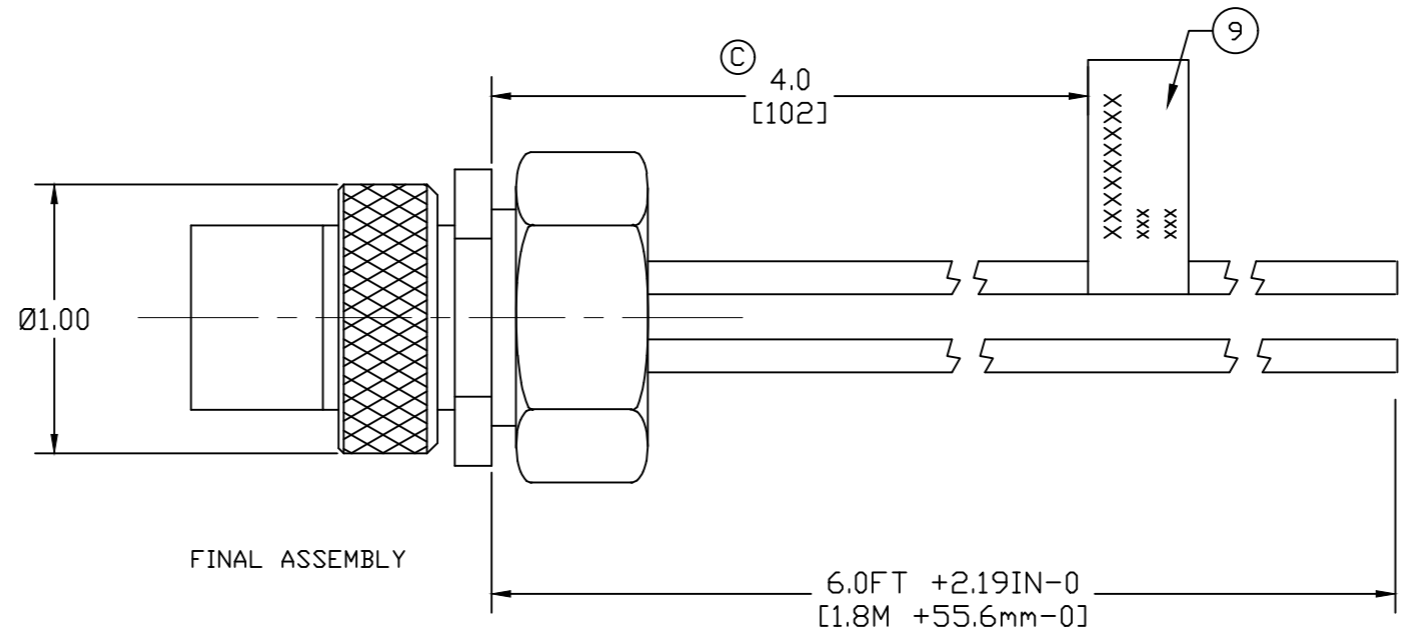
PART NO.	ENG. NO.
1300180184	51149



MALE INSERT - FACE VIEW



- NOTES:
- MATERIAL: AS NOTED
 - FINISH: AS NOTED
 - ELECTRICAL:
VOLTAGE: 483V PER IEC 60664
600V PER UL 2238
CURRENT: 10A
 - TEMP RATING: -20°C TO +105°C
 - PROTECTION: IP67 (WHEN MATED)
 - COUPLING THREAD: 7/8-16 UN
 - ALL DIMS ARE FOR REFERENCE UNLESS TOLERANCED OR NOTED OTHERWISE



FINAL ASSEMBLY

ITEM	DESCRIPTION	MATERIAL	FINISH
9	FLAG LABEL	VINYL	BLACK/YELLOW
8	LIQUID-TIGHT NUT	STEEL	ZINC PLATED
7	GLAND RING	NYLON	WHITE
6	FERRULE	STEEL	ZINC PLATED
5	COUPLING NUT	ALUMINUM	CLEAR ANODIZED
4	LIQUID-TIGHT BODY	STEEL	ZINC PLATED
3	4P MALE INSERT	TPE ©	YELLOW
2	CONTACT PIN	BRASS	GOLD PLATED
1	WIRE, 16AWG (UL 1015)	PVC	SEE FACE VIEW
ITEM	DESCRIPTION	MATERIAL	FINISH

FUNCTIONAL SYMBOLS $F=0$ $E=0$ $P=0$ DIVISIONAL SYMBOLS	THIS DRAWING CONTAINS INFORMATION THAT IS PROPRIETARY TO MOLEX ELECTRONIC TECHNOLOGIES, LLC AND SHOULD NOT BE USED WITHOUT WRITTEN PERMISSION		CURRENT REV DESC: INSERT WAS PVC, UPDATE DOC PER LATEST STD., ADD NOTES, LABEL DIM WAS 8 IN	
	DIMENSION UNITS	SCALE	molex MINI-CHANGE RECEPTACLE 4P, MALE, 16 AWG, LIQUID-TIGHT	
	INCH/MM	1:1		
	GENERAL TOLERANCES (UNLESS SPECIFIED)		EC NO: 641559 DRWN: RSTONE 2020/07/15 CHK'D: CCHRSTKA 2020/07/15 APPR: BWOODMAN 2020/07/16	
4 PLACES ±----		INITIAL REVISION:		
3 PLACES ±----		DRWN: TVICKERS 2009/08/25		
2 PLACES ±----		APPR: DTITUS 2009/08/31		
1 PLACE ±----		DOCUMENT NUMBER		
0 PLACES ±----		SD-130062-002		
ANGULAR TOL ± 0.5 °		DOC TYPE/DOC PART/REVISION		
DRAFT WHERE APPLICABLE MUST REMAIN WITHIN DIMENSIONS		PSD 001 C		
THIRD ANGLE PROJECTION		MATERIAL NUMBER		
DRAWING		CUSTOMER		
B-SIZE		GENERAL MARKET		
SERIES		SHEET NUMBER		
130062		1 OF 1		