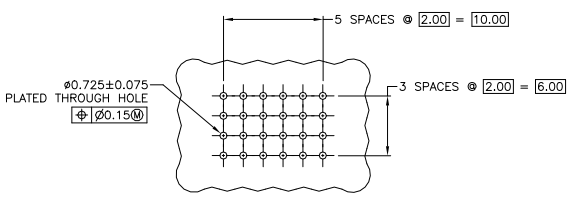
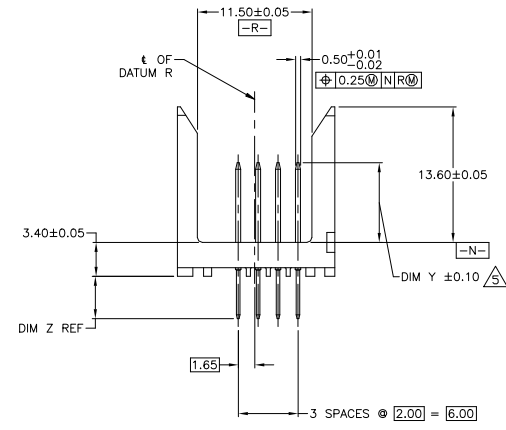
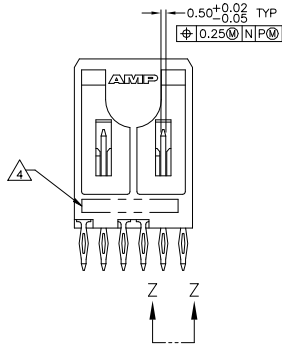
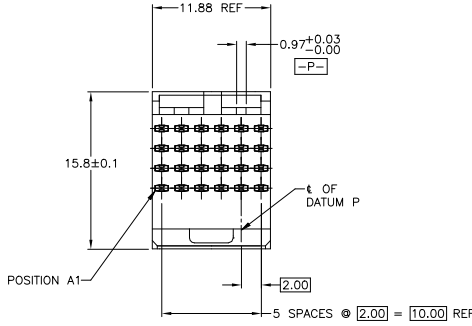
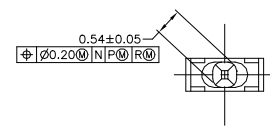


REVISIONS				
P	LN	DESCRIPTION	DATE	BY/APP
C		REVISED PER ECO-20-013368	25SEP2020	RZ/HL



RECOMMENDED CIRCUIT PATTERN
PER IPC-D300 TYPE II, CLASS C
(COMPONENT SIDE)



VIEW Z-Z
SCALE 20:1

- 1 HOUSING MATERIAL: LIQUID CRYSTAL POLYMER, NATURAL.
- 2 CONTACT MATERIAL: PHOSPHOR BRONZE.
- 3 CONTACT FINISH:(B)
UNDERPLATE (ENTIRE CONTACT):
0.00127 MIN NICKEL PER SAE-AMS-QQ-N-290
ON MATING SURFACES:
CONFORMS TO ALL TESTING SPECIFIED FOR TELCORDIA
UNCONTROLLED ENVIRONMENT.
ON LEADS:
0.0006 MIN MATTE TIN PER ASTM B 545 OVER UNDERPLATE.
LUBRICATION (MIN MATING SURFACES):
SURFACE CONDITIONER AFTER PLATING.
- 4 PART MARKING, LOCATED APPROXIMATELY AS SHOWN.
- 5 DIMENSION APPLIES WHEN SEATED ON PRINTED CIRCUIT BOARD.

THIS DRAWING IS A CONTROLLED DOCUMENT.		BY: B.MCMMASTER	15SEP04	TE Connectivity
		CHK: R.WERTZ	15SEP04	
DIMENSIONS:		TOLERANCES UNLESS OTHERWISE SPECIFIED:		NAME: PIN ASSY SIGNAL Z-PACK 2mm FB
mm	0 P/C ±	1 P/C ±	2 P/C ±	4R 24P PRESS FIT LEADS
	0.125	0.25	0.50	VARIOUS OF SEQUENCING
	0.125	0.25	0.50	APPLICATION SPEC: 114-1075
	0.125	0.25	0.50	SIZE: ONE CODE DRAWING NO: A100779
	0.125	0.25	0.50	WEIGHT: 0
	0.125	0.25	0.50	CUSTOMER DRAWING
	0.125	0.25	0.50	SCALE: 4:1 SHEET: 1 OF 2 REV: C

REVISIONS			
#	LN	DESCRIPTION	DATE
-	-	SEE SHEET 1	-

MM	8.25	4.25
UU	5.75	13.60
HH	8.25	13.60
SS	8.00	13.60
L	6.50	15.60
G	5.75	15.60
C	5.00	15.60
M	6.50	17.00
D	5.00	17.00
PP	8.25	17.00
RR	7.00	17.00
H	5.75	17.00
Y	7.25	13.60
T	8.00	4.25
N	7.25	4.25
J	6.50	4.25
E	5.75	4.25
A	5.00	4.25

D	A	A	A	A	D
C	E	A	J	C	
B	A	E	J	B	
A	A	A	J	A	
ROW	1	2	3	4	5

CONTACT LOAD CHART

D	N	N	N	N	N	D
C	J	J	J	J	J	C
B	J	J	J	J	J	B
A	J	J	J	J	J	A
ROW	1	2	3	4	5	6

CONTACT LOAD CHART

D	E	N	N	E	T	T	D
C	E	N	N	E	T	T	C
B	E	N	N	E	T	T	B
A	E	N	N	E	T	T	A
ROW	1	2	3	4	5	6	7

CONTACT LOAD CHART

D	E	E	E	E	D	
C	E	E	E	E	C	
B	E	E	E	E	B	
A	E	E	E	E	A	
ROW	1	2	3	4	5	6

CONTACT LOAD CHART

D	E	A	A	A	A	D
C	E	A	A	A	A	C
B	E	J	J	A	A	B
A	E	J	J	A	A	A
ROW	1	2	3	4	5	6

CONTACT LOAD CHART

D	T	T	T	T	T	D
C	E	E	E	E	E	C
B	J	J	J	J	J	B
A	J	J	J	J	J	A
ROW	1	2	3	4	5	6

CONTACT LOAD CHART

D	J	J	X	J	J	Y	D
C	J	J	X	J	J	Y	C
B	J	J	X	J	J	Y	B
A	J	J	X	J	J	Y	A
ROW	1	2	3	4	5	6	7

CONTACT LOAD CHART

D	A	A	A	A	D	
C	A	A	A	A	C	
B	A	A	A	A	B	
A	A	A	A	A	A	
ROW	1	2	3	4	5	6

CONTACT LOAD CHART

D	R	R	R	R	R	R	D
C	H	H	H	H	H	H	C
B	H	H	H	H	H	H	B
A	R	R	R	R	R	R	A
ROW	1	2	3	4	5	6	7

CONTACT LOAD CHART

D	C	C	C	C	C	D
C	G	G	G	G	G	C
B	G	G	G	G	G	B
A	L	L	L	L	L	A
ROW	1	2	3	4	5	6

CONTACT LOAD CHART

D	N	E	E	E	E	D
C	N	E	E	E	E	C
B	N	E	E	E	E	B
A	N	E	E	E	E	A
ROW	1	2	3	4	5	6

CONTACT LOAD CHART

D	E	E	N	N	N	D
C	E	E	N	N	N	C
B	E	E	N	N	N	B
A	E	E	N	N	N	A
ROW	1	2	3	4	5	6

CONTACT LOAD CHART

D	T	E	N	N	N	N	D
C	T	J	N	N	N	N	C
B	T	J	N	N	N	N	B
A	T	J	N	N	N	N	A
ROW	1	2	3	4	5	6	7

CONTACT LOAD CHART

D	R	R	R	R	R	R	D
C	R	R	R	R	R	R	C
B	R	R	R	R	R	R	B
A	R	R	R	R	R	R	A
ROW	1	2	3	4	5	6	7

CONTACT LOAD CHART

D	T	T	T	T	T	D
C	E	E	E	E	E	C
B	E	E	E	E	E	B
A	J	J	J	J	J	A
ROW	1	2	3	4	5	6

CONTACT LOAD CHART

D	S	S	U	U	U	U	D
C	S	S	U	U	U	U	C
B	S	S	U	U	U	U	B
A	S	S	U	U	U	U	A
ROW	1	2	3	4	5	6	7

CONTACT LOAD CHART

D	E	N	E	N	E	D
C	E	N	E	N	E	C
B	E	N	E	N	E	B
A	E	N	E	N	E	A
ROW	1	2	3	4	5	6

CONTACT LOAD CHART

D	A	A	A	A	A	D
C	A	A	A	A	A	C
B	J	J	J	J	J	B
A	A	A	A	A	A	A
ROW	1	2	3	4	5	6

CONTACT LOAD CHART

D	E	E	E	J	E	D
C	E	E	E	J	E	C
B	E	E	E	J	E	B
A	E	E	E	J	E	A
ROW	1	2	3	4	5	6

CONTACT LOAD CHART

D	T	E	E	E	E	D
C	T	E	E	E	E	C
B	T	E	E	E	E	B
A	T	E	E	E	E	A
ROW	1	2	3	4	5	6

CONTACT LOAD CHART

D	J	J	N	N	J	J	D
C	J	J	N	N	J	J	C
B	J	J	N	N	J	J	B
A	J	J	N	N	J	J	A
ROW	1	2	3	4	5	6	7

CONTACT LOAD CHART

D	N	J	J	J	J	D
C	N	J	J	J	J	C
B	N	J	J	J	J	B
A	N	J	J	J	J	A
ROW	1	2	3	4	5	6

CONTACT LOAD CHART

D	J	J	J	J	J	D
C	J	J	J	J	J	C
B	J	J	J	J	J	B
A	J	J	J	J	J	A
ROW	1	2	3	4	5	6

CONTACT LOAD CHART

D	J	J	J	J	J	D
C	J	J	J	J	J	C
B	J	J	J	J	J	B
A	J	J	J	J	J	A
ROW	1	2	3	4	5	6

CONTACT LOAD CHART

D	J	U	U	U	U	U	D
C	J	U	U	U	U	U	C
B	J	U	U	U	U	U	B
A	J	U	U	U	U	U	A
ROW	1	2	3	4	5	6	7

CONTACT LOAD CHART

D	J	J	J	J	J	D	
C	N	N	N	N	E	C	
B	N	N	N	N	E	B	
A	J	N	N	J	J	A	
ROW	1	2	3	4	5	6	7

CONTACT LOAD CHART

D	E	A	A	A	A	D
C	E	A	A	A	A	C
B	E	J	J	A	A	B
A	E	J	J	A	A	A
ROW	1	2	3	4	5	6

CONTACT LOAD CHART

D	J	J	J	T	J	D
C	J	J	J	T	J	C
B	J	J	J	T	J	B
A	J	J	J	T	J	A
ROW	1	2	3	4	5	6

CONTACT LOAD CHART

D	J	J	J	J	J	D
C	T	T	T	T	T	C
B	J	J	J	J	J	B
A	J	J	J	J	J	A
ROW	1	2	3	4	5	6

CONTACT LOAD CHART

D	J	J	J	J	J	D
C	T	T	T	T	T	C
B	T	T	T	T	T	B
A	T	T	T	T	T	A
ROW	1	2	3	4	5	6

CONTACT LOAD CHART

D	J	J	J	J	J	D
C	J	J	J	J	J	C
B	J	J	J	J	J	B
A	E	E	E	E	E	A
ROW	1	2	3	4	5	6

CONTACT LOAD CHART

D	Y	Y	Y	Y	Y	D
C	Y	Y	Y	Y	Y	C
B	Y	Y	Y	Y	Y	B
A	Y	Y	Y	Y	Y	A
ROW	1	2	3	4	5	6

CONTACT LOAD CHART

D	P	P	P	P	P	P	D
C	R	R	R	R	R	R	C
B	R	R	R	R	R	R	B
A	P	P	P	P	P	P	A
ROW	1	2	3	4	5	6	7

CONTACT LOAD CHART

D	H	H	H	H	H	D
C	S	S	S	S	S	C
B	S	S	S	S	S	B
A	H	H	H	H	H	A
ROW	1	2	3	4	5	6

CONTACT LOAD CHART

D	E	E	E	J	N	T	D
C	E	E	E	J	N	T	C
B	E	E	E	J	N	T	B
A	E	E	E	J	N	T	A
ROW	1	2	3	4	5	6	7

CONTACT LOAD CHART

D	J	J	J	J	J	D
C	T	T	T	T	T	C
B	T	T	T	T	T	B
A	E	E	E	E	E	A
ROW	1	2	3	4	5	6

CONTACT LOAD CHART

D	N	N	N	N	N	D
C	J	J	J	J	J	C
B	J	J	J	J	J	B
A	N	N	N	N	N	A
ROW	1	2	3	4	5	6

CONTACT LOAD CHART

D	R	R	R	R	R	D
C	P	P	P	P	P	C
B	P	P	P	P	P	B
A	R	R	R	R	R	A
ROW	1	2	3	4	5	6

CONTACT LOAD CHART

D	A	A	A	A	A	D
C	E	E	E	E	E	C
B	E	E	E	E	E	B
A	E	E	E	E	E	A
ROW	1	2	3	4	5	6

CONTACT LOAD CHART

D	A	A	A	A	A	D
C	J	J	J	J	J	C
B	N	N	N	N	N	B
A	T	T	T	T	T	A
ROW	1	2	3	4	5	6

CONTACT LOAD CHART

D	A	E	E	A	A	D
C	A	E	E	A	A	C
B	A	J	J	A	A	B
A	J	J	J	A	A	A
ROW	1	2	3	4	5	6

CONTACT LOAD CHART

D	T	J	J	J	T	D
C	T	J	J	J	T	C
B	T	J	J	J	T	B
A	T	J	J	J	T	A
ROW	1	2	3	4	5	6

CONTACT LOAD CHART

D	J	J	Y	J	S	S	D
C	J	J	Y	J	S	S	C
B	J	J	Y	J	S	S	B
A	J	J	Y	J	S	S	A
ROW	1	2	3	4	5	6	7

CONTACT LOAD CHART

THIS DRAWING IS A CONTROLLED DOCUMENT. SEE B3/MCMASTER 1182024 FOR DIMENSIONS AND TOLERANCES UNLESS OTHERWISE SPECIFIED.

DATE: 10/8/2014
 DRAWN BY: R. BERTZ
 CHECKED BY: R. BERTZ
 APPLICATION SPEC: 108-1441
 DRAWING NO: 114-1075
 SCALE: 0

STE TE Connectivity
 PIN ASSY SIGNAL 2-PACK 2mm FB
 4R 24P PRESS FIT LEADS
 VARIOUS OF SEQUENCING

SIZE: 114-1075
 STOCK: 0
 CUSTOMER DRAWING: A100779C-5223610