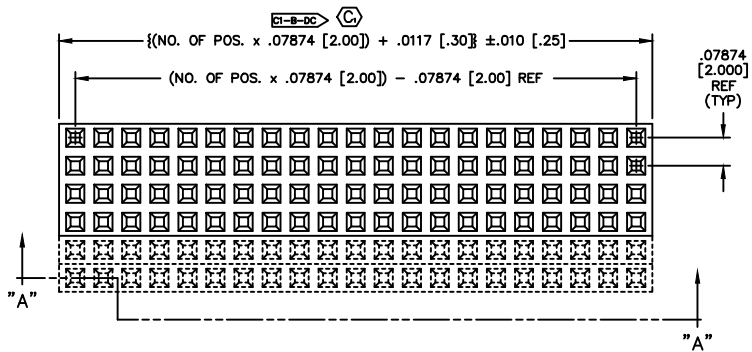


DIMENSIONS ARE IN INCHES		UNLESS OTHERWISE NOTED	TOLERANCES ARE:
ONE PLACE DECIMALS ± .1[2.5]	THREE PLACE DECIMALS ± .005[.127]	ANGLES	± 2°
TWO PLACE DECIMALS ± .01[.25]	FOUR PLACE DECIMALS ± .0020[.051]		

TITLE: 2MM SOCKET STRIP ASSEMBLY

DWG NO: YTQ-1XX-XX-XX-X-XXX-XXX
SHEET 1 OF 2

- NOTES:
1. MINIMUM CONTACT RETENTION: .5 lb PER PIN.
 2. CUT FLASH TO BE .020 [.50] MAX.
 3. TOE TO BE 2' MAX.
 4. HEIGHT VARIANCE, PIN TO PIN: .005 [.13] MAX.
 5. Ⓢ REPRESENTS A CRITICAL DIMENSION.



YTQ-1XX-XX-XX-X-XXX-XXX

POSITION SPECIFICATION
-02 THRU -50 (PER ROW)

LEAD STYLE SPEC
SEE TABLE 1

OPTION
* -SD1: SOLDER DONUT (SEE FIG 5)
** -MW: METAL WASHER (SEE FIG 6) (AVAILABLE ON LEAD STYLES -01 & -03 ONLY) (5 POS MIN) (30 POS MAX)

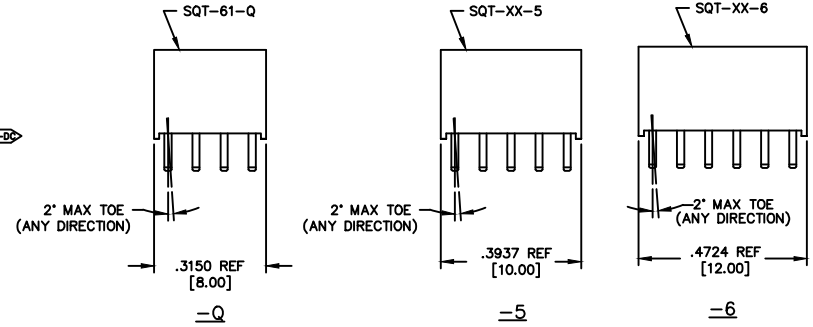
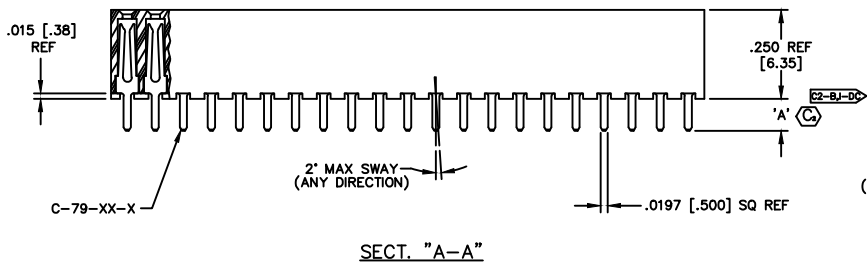
POLARIZATION OPTION
-XXX INDICATES POSITION- SEE FIG 2 (USE PK-07-N)

ROW SPECIFICATION
-Q: QUAD (USE SQT-62-Q)
-5: FIVE ROW (USE SQT-50-5)
-6: SIX ROW (USE SQT-60-6)

PLATING SPECIFICATION
-F: 3μ" FLASH SELECTIVE GOLD IN CONTACT AREA, MATTE TIN ON TAIL
-L: 10μ" LIGHT SELECTIVE GOLD IN CONTACT AREA, MATTE TIN ON TAIL
-G: 10μ" GOLD IN CONTACT AREA, 10μ" GOLD TAIL
-S: 30μ" SELECTIVE GOLD IN CONTACT AREA, MATTE TIN ON TAIL
-H: 30μ" HEAVY GOLD IN CONTACT AREA, 3μ" ON TAIL
-FM: 3μ" FLASH SELECTIVE GOLD IN CONTACT AREA, MATTE TIN ON TAIL
-LM: 10μ" LIGHT SELECTIVE GOLD IN CONTACT AREA, MATTE TIN ON TAIL
-SM: 30μ" SELECTIVE GOLD IN CONTACT AREA, MATTE TIN ON TAIL

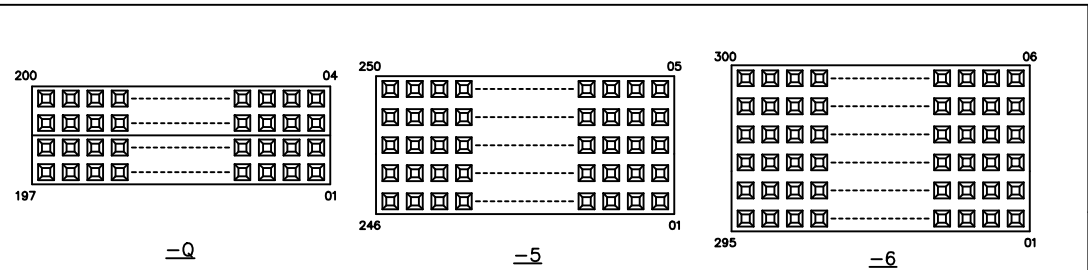
* = NOT ENGINEERING APPROVED

**** - MW OPTION, DO NOT DESIGN IN. SAMTEC WILL ONLY SUPPORT EXISTING BUSINESS 2/11/02.**



LEAD STYLE	'A'	CONTACT
-01	.090 [2.29]	C-79-01-X
-02	.600 [15.24]	C-79-02-X
-03	.208 [5.28]	C-79-53-X

ASSEMBLY OPERATION IN-PROCESS INSPECTION	
FILL	C2
ROTARY CUT	C1



PROPRIETARY NOTE
THIS DOCUMENT CONTAINS CONFIDENTIAL AND PROPRIETARY INFORMATION AND ALL RIGHTS, INCLUDING PATENT RIGHTS, ARE RESERVED BY SAMTEC, INC. THIS DOCUMENT SHALL NOT BE DISCLOSED, IN WHOLE OR IN PART, TO ANY UNAUTHORIZED PERSON OR ENTITY WITH OR WITHOUT THE EXPRESS WRITTEN CONSENT OF SAMTEC, INC.

CONTACT: PHOS BRONZE

MATERIAL: BLACK, LCP

samtec

520 PARK EAST BLVD. NEW ALBANY, INDIANA 47150
PHONE (812) 944-6733 P.O. BOX 1147
CODE 55322

MADE BY: BRATCHER 1-26-99

MISC/MKTG
YTQ-MKT

YTQ-1XX-XX-XX-X-XXX-XXX

SHEET 1 OF 2