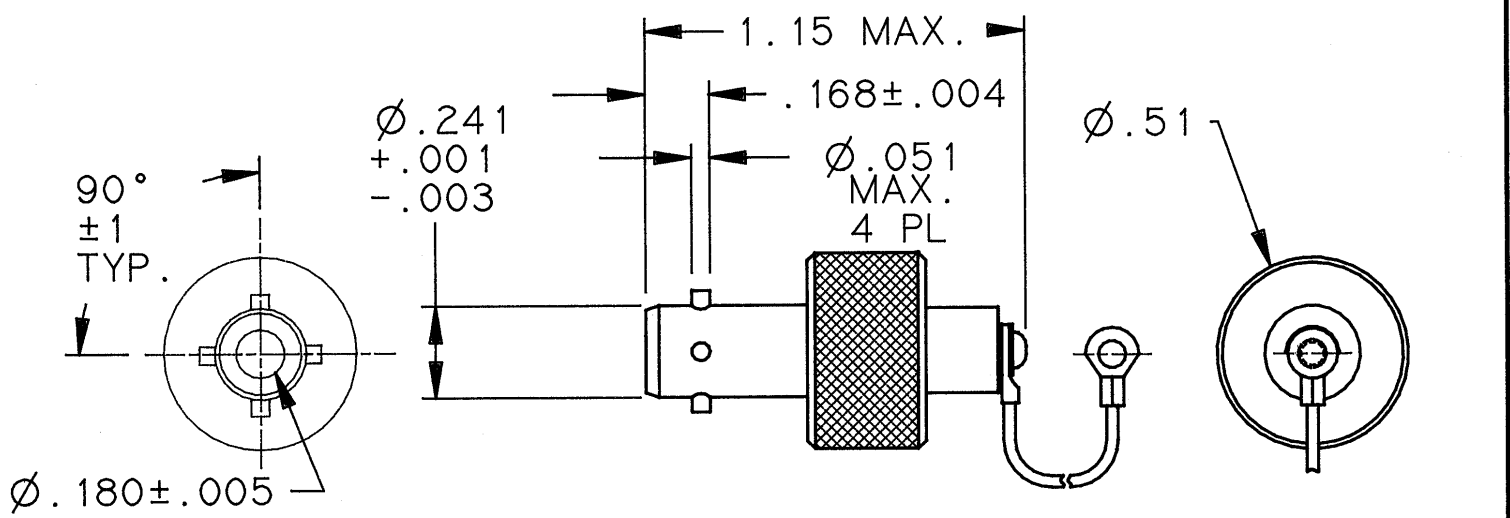
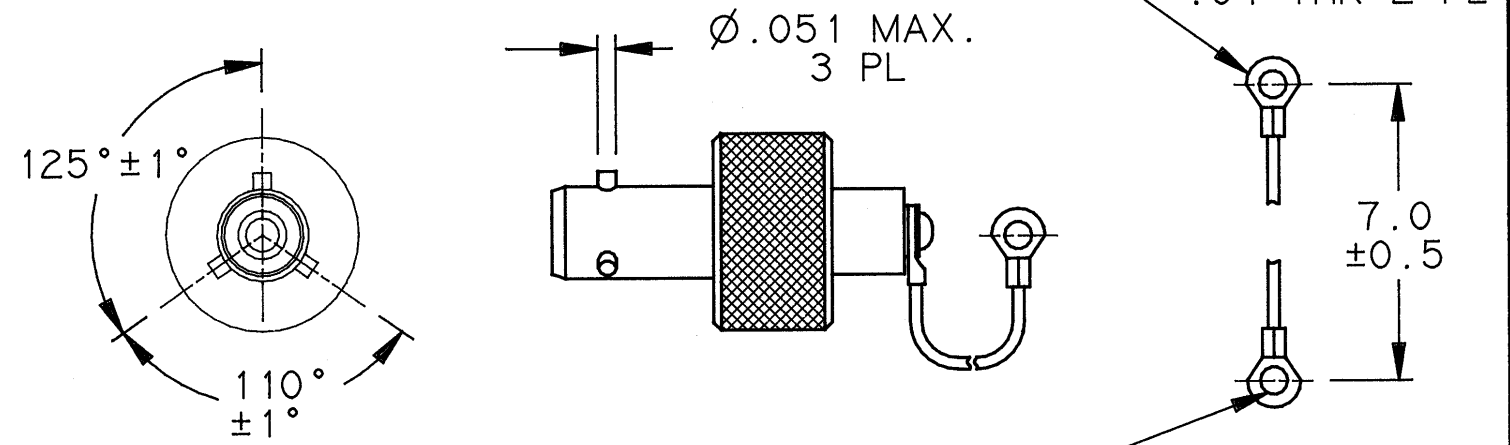


REVISIONS			
LTR	DESCRIPTION	DATE	APPROVED
N/C	INITIAL RELEASE PER ECN# T-13180	89-10-18	3 ET



D-600-0080-2 INTERFACE "D"



D-600-0079-2 INTERFACE "A" "B" "C"

If this document is printed it becomes uncontrolled.
Check with the web for latest revision.

1.0 MATERIALS AND FINISHES:

- 1.1 JACK BODY: BECU PER QQ-C-530C, ALLOY 173, CONDITION A OR H, TIN PLATED PER MIL-T-10727 OVER NICKEL PER MIL-C-26074
- 1.2 LANYARD & DRIVE SCREW: STAINLESS STEEL PASSIVATED PER QQ-P-35

SPECIFICATION CONTROL DRAWING © Raychem Corporation 1989

UNLESS OTHERWISE SPECIFIED DIMENSIONS ARE IN INCHES. METRIC DIMENSIONS ARE IN BRACKETS. DECIMALS .XXX ±.010 [mm] .XX ± NA [mm] ANGLES .X ± WEIGHT lbs [g]	DRAWN	J.B.K.	89 OCT 17		RAYCHEM CORPORATION 300 CONSTITUTION DRIVE MENLO PARK, CALIFORNIA 94025			
	CHECKED				TITLE	DUST CAP, JACK W/LANYARD BAYONET COUPLED		
	APPROVED				SIZE	CODE IDENT. NO.	DWG. NO.	REV
	APPROVED	3 ET	89-10-18	CAD NAME	A	06090	D-600-0079/0080-2	N/C
			004891-1	DO NOT SCALE THIS DRAWING		NONE	SHEET 1 OF 1	

