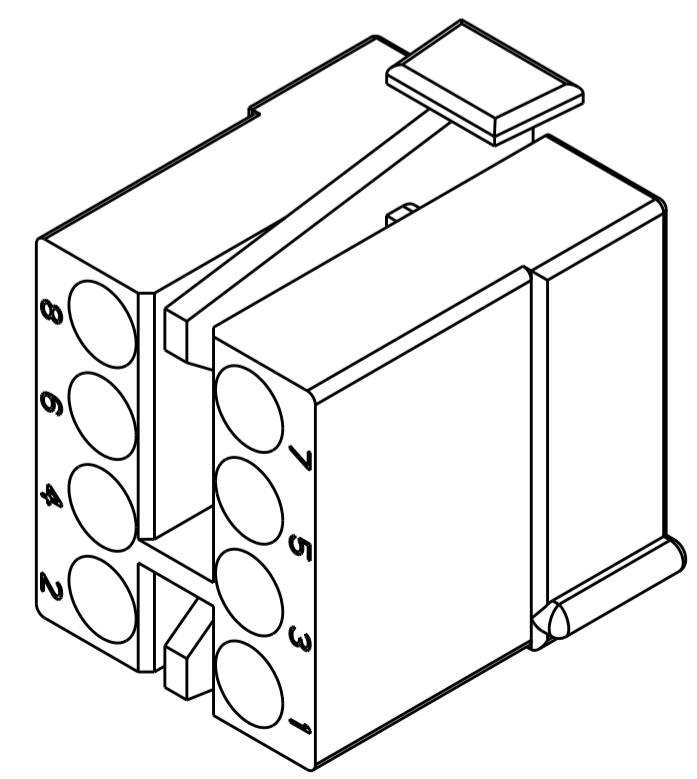
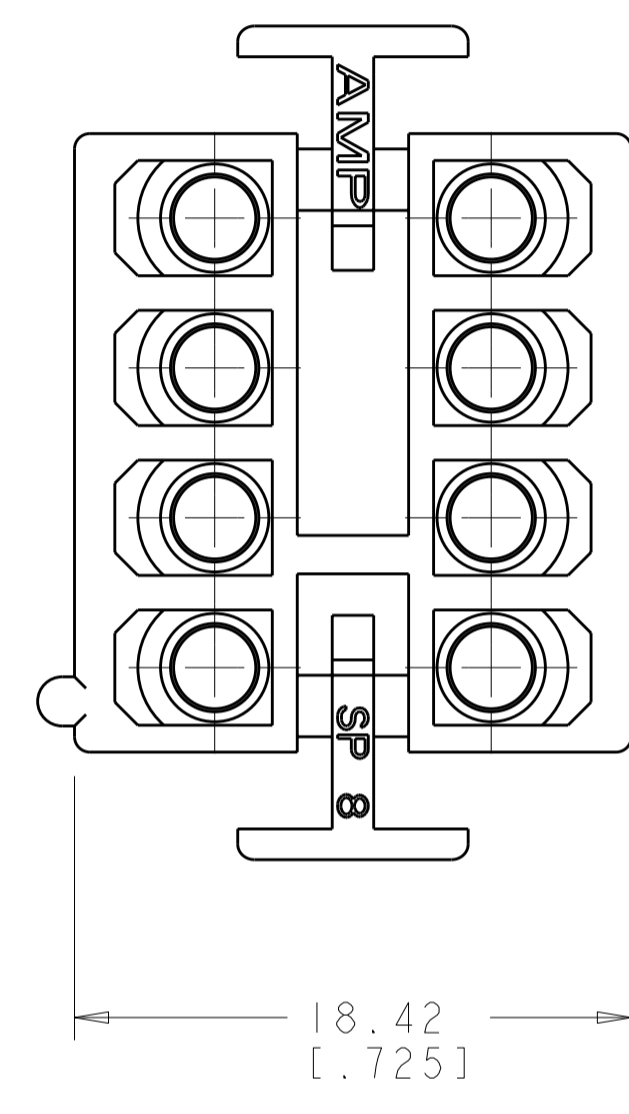
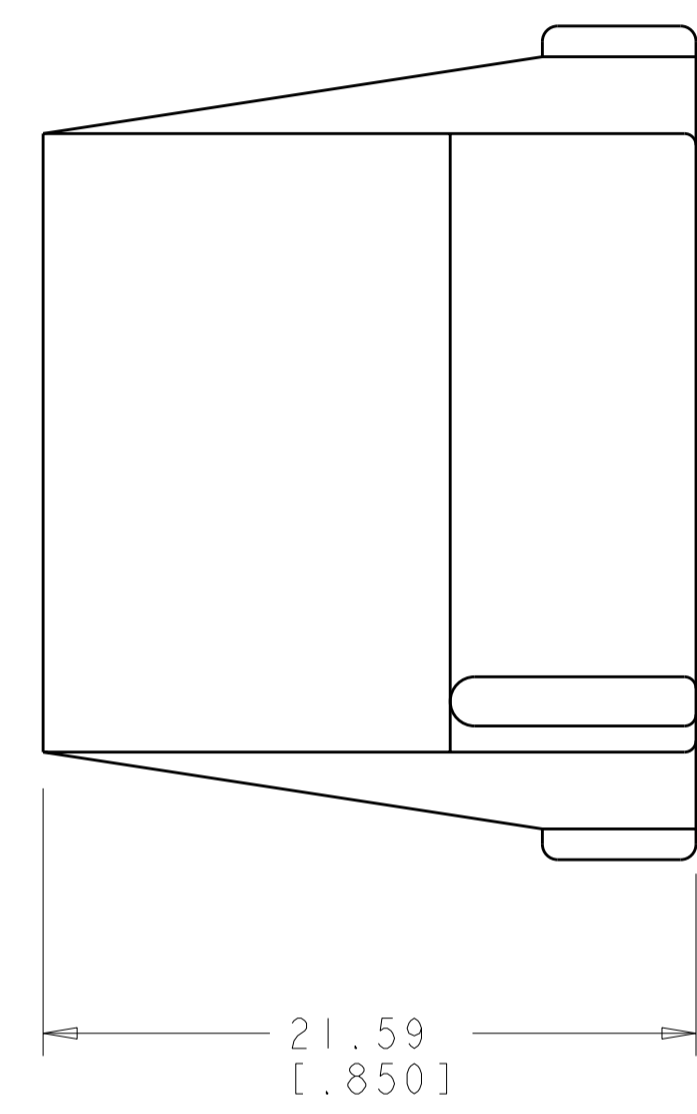
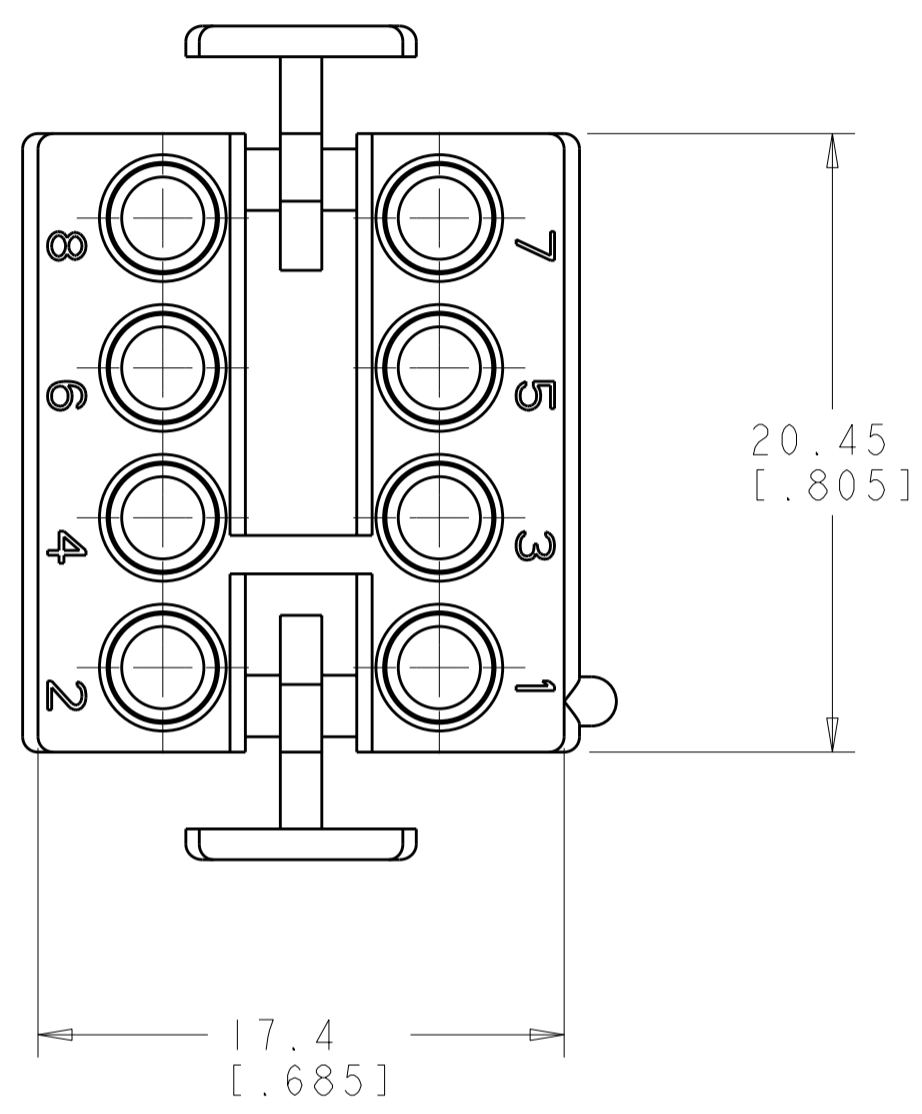


THIS DRAWING IS UNPUBLISHED. RELEASED FOR PUBLICATION 20  
 © COPYRIGHT 20 BY - ALL RIGHTS RESERVED.

LOC	DIST	REVISIONS			
P	LTR	DESCRIPTION	DATE	DWN	APVD
CM	00	SI	REVISED PER ECO-11-005027	18MAR2011	RK HMR

1. TO BE USED WITH APPROPRIATE COMMERCIAL MATE-N-LOK™ SOCKETS.
2. TO BE USED WITH CAP HOUSING 480284.



SCALE 3:1

**METRIC**

0.256 IN <sup>3</sup>	1-480283-0
VOLUME	PART NUMBER

THIS DRAWING IS A CONTROLLED DOCUMENT.		DWN	05MAR2008	TE Connectivity	
DIMENSIONS: mm [INCHES]		CHK	K. WHITAKER 05MAR2008		
TOLERANCES UNLESS OTHERWISE SPECIFIED:		APVD	C. CASH 05MAR2008		
0 PLC ± - 1 PLC ± - 2 PLC ± 0.13 [.005] 3 PLC ± - 4 PLC ± - ANGLES ± 0°30' FINISH		PRODUCT SPEC	-		
MATERIAL	NYLON, NATURAL	APPLICATION SPEC	-	NAME	PLUG, 8 CIRCUIT, COMMERCIAL MATE-N-LOK(TM)
WEIGHT		-	-	SIZE	A2
CUSTOMER DRAWING		SCALE 4:1		CAGE CODE	00779
DRAWING NO		480283		DRAWING NO	480283
RESTRICTED TO		SHEET 1 OF 1		REV	SI