



SIAMEZE

TE Internal #: 1601040-1

Magnet Wire Terminals, Tab, Mating Tab Width .187 in [4.75 mm],  
 Size 1, .16 – 1.02 mm Magnet Wire, 34 – 18 AWG Magnet Wire,  
 SIAMEZE

[View on TE.com >](#)

Terminals & Splices > Magnet Wire Terminals



Magnet Wire Terminal Type: **Tab**  
 Mating Tab Width: **4.75 mm [ .187 in ]**  
 Mating Tab Thickness: **.81 mm [ .032 in ]**  
 Compatible With Cavity Size: **Size 1**  
 Magnet Wire Size: **34 – 18 AWG**

**Features**

**Product Type Features**

Compatible With Discrete Wire Type	Magnet Wire, Solid
------------------------------------	--------------------

**Body Features**

Compatible With Cavity Size	Size 1
-----------------------------	--------

**Contact Features**

Magnet Wire Terminal Type	Tab
Mating Tab Width	4.75 mm[.187 in]
Mating Tab Thickness	.81 mm[.032 in]
Terminal Plating Material	Unplated
Terminal Orientation	Straight

**Termination Features**

Termination Method to Wire & Cable	Insulation Displacement (IDC)
------------------------------------	-------------------------------

**Mechanical Attachment**

Mating Retention Type	Barbs, Hole
-----------------------	-------------



### Dimensions

Terminal Height	8.38 mm[.33 in]
Magnet Wire Size	.16 – 1.02 mm
Stock Thickness (Magnet Wire Side)	.5 mm[.02 in]
Product Length	18.92 mm[.744 in]

### Usage Conditions

Insulation Option	Uninsulated
-------------------	-------------

### Operation/Application

Compatible With Wire Base Material	Copper
------------------------------------	--------

### Packaging Features

Packaging Quantity	20000
Packaging Method	Reel

### Other

Terminals & Splices Comment	Magnet wire 30 AWG or smaller also requires a wrap post per P/N 1601447, Magnet wire 30 AWG or smaller also requires a wrap post per Part Number 1601447, Recommended Pocket P/N 1601425
-----------------------------	--

### Product Compliance

[For compliance documentation, visit the product page on TE.com>](#)

EU RoHS Directive 2011/65/EU	Compliant
EU ELV Directive 2000/53/EC	Compliant
China RoHS 2 Directive MIIT Order No 32, 2016	No Restricted Materials Above Threshold
EU REACH Regulation (EC) No. 1907/2006	Current ECHA Candidate List: JUNE 2023 (235) Candidate List Declared Against: JUNE 2023 (235) Does not contain REACH SVHC
Halogen Content	Low Halogen - Br, Cl, F, I < 900 ppm per homogenous material. Also BFR/CFR/PVC Free
Solder Process Capability	Not applicable for solder process capability

Product Compliance Disclaimer

This information is provided based on reasonable inquiry of our suppliers and represents our current actual knowledge based on the information they provided. This information is subject to change. The part numbers that TE has identified as EU RoHS compliant have a maximum concentration of 0.1% by weight in homogenous materials for lead, hexavalent chromium, mercury, PBB, PBDE, DBP, BBP, DEHP, DIBP, and 0.01% for cadmium, or qualify for an exemption to these limits as defined in the Annexes of Directive 2011/65/EU (RoHS2). Finished electrical and electronic equipment products will be CE marked as required by Directive 2011/65/EU. Components may not be CE marked. Additionally, the part numbers that TE has identified as EU ELV compliant have a maximum concentration of 0.1% by weight in homogenous materials for lead, hexavalent chromium, and mercury, and 0.01% for cadmium, or qualify for an exemption to these limits as defined in the Annexes of Directive 2000/53/EC (ELV). Regarding the REACH Regulation, the information TE provides on SVHC in articles for this part number is based on the latest European Chemicals Agency (ECHA) 'Guidance on requirements for substances in articles' posted at this URL: <https://echa.europa.eu/guidance-documents/guidance-on-reach>

## Compatible Parts



TE Part # 1601138-1  
151-005-000=TAB,3.3X0.8,MEDSMZ



TE Part # 4-1601035-1  
031-081-000=TAB,187X032,STD SMZ



TE Part # 1601108-1  
131-179-000=WIRE2WIRE,STD,SMZ



TE Part # 2-1601138-1  
151-006-000=TAB,3.3X0.8,MEDSMZ



TE Part # 1601002-2  
131-055-002=TAB,250X032,STD SMZ




TE Part # 1601013-1  
131-057-000=TAB,187X020,STD SMZ



TE Part # 1601035-1  
131-082-000=TAB,187X032,STD SMZ



TE Part # 1601035-2  
TAB,187X032,STD,SMZ



TE Part # 1601064-1  
.110 X .032 TAB STD SIAMEZE



TE Part # 1601099-1  
131-169-000=TAB,059X032,STD SMZ



TE Part # 1601174-2  
.187 X .032 TAB STD SMZ TERM



TE Part # 2-1601035-2  
131-081-002=TAB,187X032,STD SMZ



TE Part # 293231-1  
MULTI BARB SIAMEZE TERMINAL  
STD RANGE

## Also in the Series | SIAMEZE

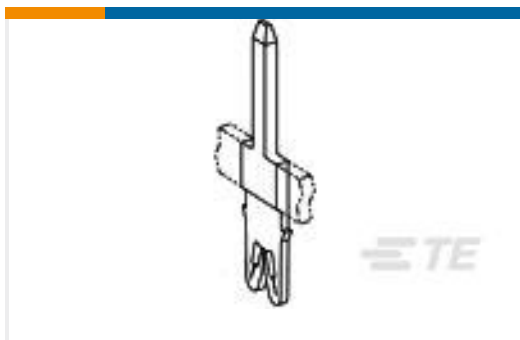


Insertion & Extraction Tools(1)



Magnet Wire Terminals(196)

## Customers Also Bought



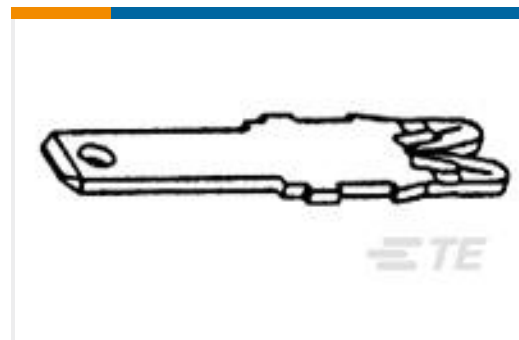
TE Part #2-1601110-2  
131-182-014=TAB,1.2X.81,STDSMZ



TE Part #2238060-1  
MAG-MATE POST 33-31 CU / 31-29 AL TPBR



TE Part #2238061-1  
MAG-MATE POST 34-33 CU / 33-31 AL TPBR



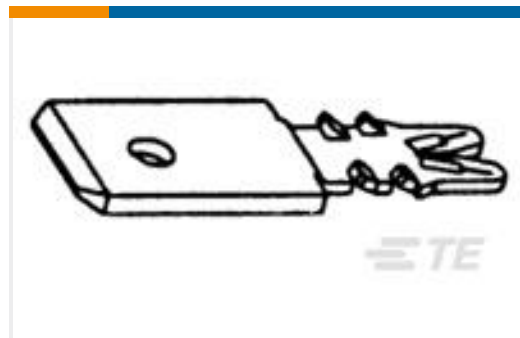
TE Part #4-1601045-1  
031-093-000=TAB,110X020,STDSMZ



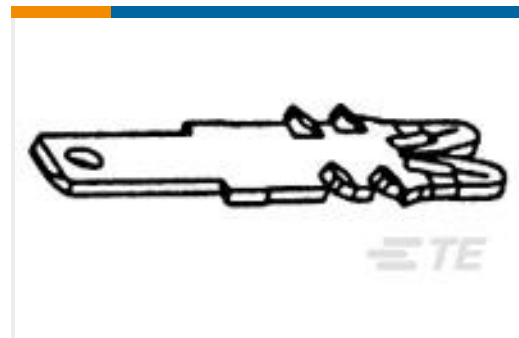
TE Part #4-1601117-1  
WIRE2WIRE,FINE,SMZ



TE Part #926850-2  
MAG MATE LEAF KONT



TE Part #1601118-2  
150-005-002=TAB,250X032,STDSMZ



TE Part #1601119-2  
118X 025 TAB FINE WIRE SIAMEZE



TE Part #2238087-1  
MAG-MATE TAB 34-33 CU / 33-31 AL TPBR



TE Part #2238088-1  
MAG-MATE TAB 33-31 CU / 31-29 AL TPBR

## Documents

[Product Drawings](#)  
[SIAMEZE TERMINALS](#)

English

[CAD Files](#)  
[3D PDF](#)  
3D



**Customer View Model**

[ENG\\_CVM\\_CVM\\_1601040-1\\_A.2d\\_dxf.zip](#)

English

**Customer View Model**

[ENG\\_CVM\\_CVM\\_1601040-1\\_A.3d\\_igs.zip](#)

English

**Customer View Model**

[ENG\\_CVM\\_CVM\\_1601040-1\\_A.3d\\_stp.zip](#)

English

By downloading the CAD file I accept and agree to the [Terms and Conditions](#) of use.

---

**Datasheets & Catalog Pages**

[1654742\\_HOUSEHOLD\\_APPLIANCES\\_RAST5](#)

English

**Magnet Wire Terminals & Splices**

English

---

**Product Specifications**

[Application Specification](#)

English

---

**Product Environmental Compliance**

[Product Compliance](#)

English

[Product Compliance](#)

English

---

**Instruction Sheets**

[Instruction Sheet \(U.S.\)](#)

English