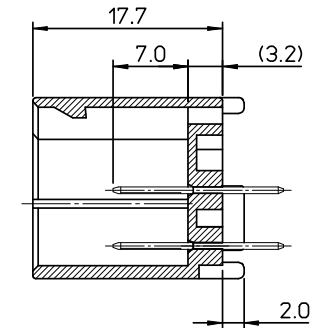
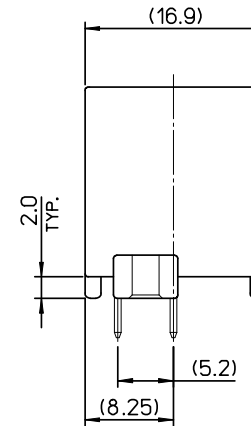
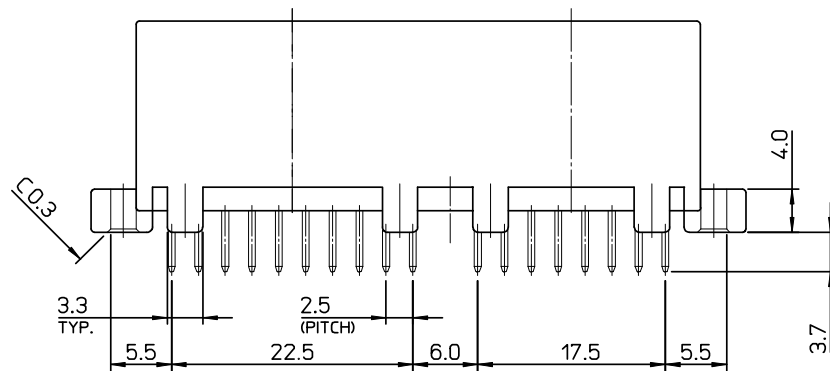


RECOMMENDED P.C.B HOLE DIMENSION



SECTION A-A

NOTES

1. APPLICABLE FEMALE HOUSING : 35363-1615/35364-2015
2. TEMPERATURE RANGE : -40°C TO +120°C
3. MATERIAL : HOUSING-POLYESTER(PBT), COLOF:GRAY
TERMINAL-BRASS
TERMINAL-TIN(Sn) PLATED

REVISED	EC NO: KOR2008-0116	2008/01/31
	DRM:NEOKIM	2008/02/14
	CHK:BCYOON	2008/02/14
	APPR:YUNSIKKIM	2008/02/14

QUALITY SYMBOLS	▽=0
	▽=0

GENERAL TOLERANCES (UNLESS SPECIFIED)	mm	INCH
4 PLACES	± ---	± ---
3 PLACES	± ---	± ---
2 PLACES	± 0.20	± ---
1 PLACE	± 0.30	± ---
ANGULAR ± 2 °		
DRAFT WHERE APPLICABLE MUST REMAIN WITHIN DIMENSIONS		

DIMENSION STYLE		SCALE	DESIGN UNITS
MM ONLY		2:1	METRIC
DRAWN BY	DATE	TITLE	
YSIKKIM	2001/01/15	040 WIRE TO BOARD CONN. 36P HEADER ASS'Y(VTL)	
CHECKED BY	DATE	MOLEX INCORPORATED	
YSIKKIM	2001/01/15	SD-68145-003	
APPROVED BY	DATE	SHEET NO.	
CWLEE	2001/01/15	1 OF 1	
MATERIAL NO.		DOCUMENT NO.	
681453615		SD-68145-003	
SIZE	THIS DRAWING CONTAINS INFORMATION THAT IS PROPRIETARY TO MOLEX INCORPORATED AND SHOULD NOT BE USED WITHOUT WRITTEN PERMISSION		
A3			

NO.	ENG NO.	MATERIAL NO.
1	68145-3615	681453615

THIRD ANGLE PROJECTION