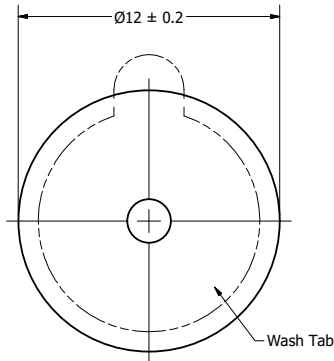
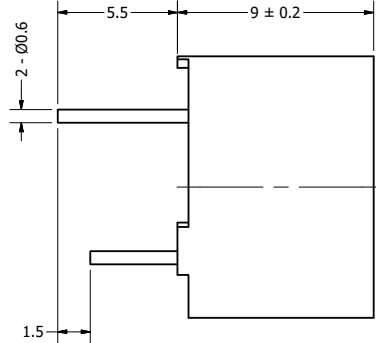


Part Number:	TE122405-6	
	DRAWN CJ	12/19/2016
	CHECKED P.D	12/19/2016
Description: Electro-Mechanical Transducer	APPROVED J.S	12/19/2016
	This document contains data proprietary to DB Unlimited. Any use or reproduction, in any form, without prior written permission of DB Unlimited is prohibited. All terms and conditions can be found at www.dbunlimitedco.com	

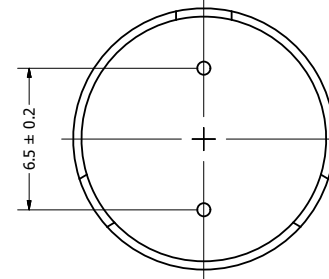
Top View



Side View



Bottom View



Items	Specifications	Conditions
Sound Pressure Level	85	dB (@ 10cm)
Resonant Frequency	2,400	Hz
Rated Voltage	5	V
Voltage Range	3 ~ 8	V
Coil Resistance	47	Ω
Max. Rated Current	40	mA
Storage Temperature	-40 ~ +85	$^{\circ}\text{C}$
Operating Temperature	-30 ~ +75	$^{\circ}\text{C}$
Connection Method	PC Pin	
Mount Type	Thru-Hole Mount	
Housing Material	NORYL	
Weight	2	g

REVISION HISTORY			
REV	DESCRIPTION	DATE	APPROVED
	Released from Engineering	10/21/2013	J.S.
1	Updated to new template	4/2/2018	C.E.

- NOTES
- 1) All dimensions are in mm unless otherwise noted
 - 2) All tolerances are ± 0.5 mm unless otherwise noted
 - 3) All parts meet RoHS
 - 4) Subject to change or redrawn without notice