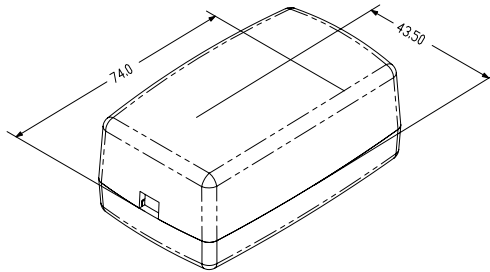
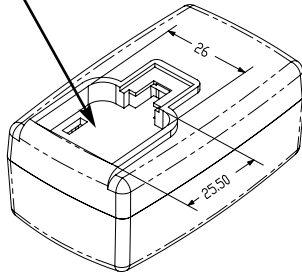


PROPRIETARY INFORMATION:
 PROPRIETARY OF GLOBTEK, INC. ANY REPRODUCTION, DISCLOSURE OR USE OF THIS DRAWING, IN WHOLE OR IN PART, IS HEREBY PROHIBITED EXCEPT AS SPECIFIED IN WRITING BY GLOBTEK, INC.

REVISION			
REV	DESCRIPTION	DATE	APPROVED
A	INITIAL RELEASE, RFS.6147, DMR	05/04/05	DMR
B	ADD UNIT BAG LABEL, RFS. 17386, EM	11/02/09	HM
C	REVISE DISCRIPTION, I/P CONNECTOR, RFS. 18370, SO	03/30/10	HM
D	REMOVE UNIT BAG LABEL, RFS. 23053, EM	06/06/12	HM
E	ADD CARTON WEIGHT, RFS. 24270, SO	02/25/13	HM



STANDARD OPTION SHIPS WITHOUT AC PINS INSTALLED

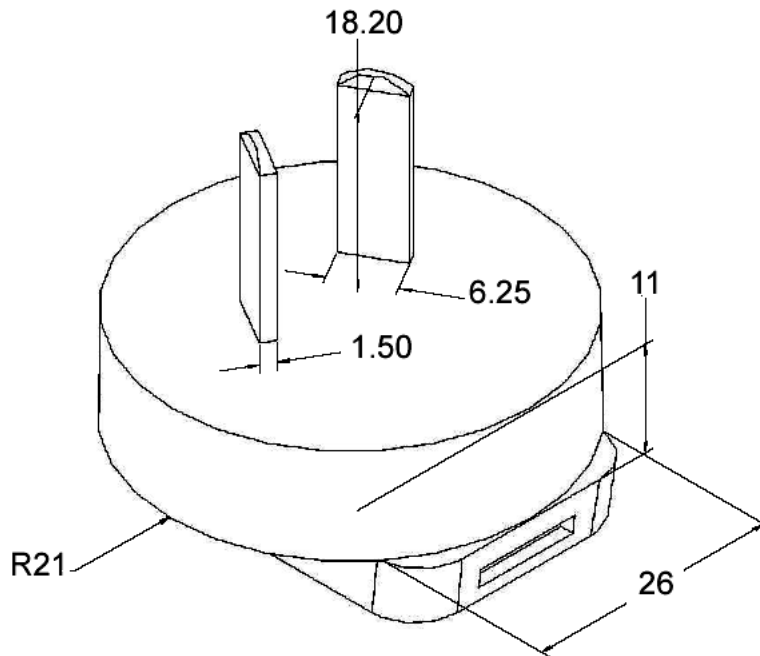


1. MATERIAL

HIGH IMPACT PLASTIC, 94V0 POLYCARBONATE, NON-VENTED, COLOR BLACK

2. INPUT CONNECTOR:


ARGENTINA IRAM 2073 CONFIGURATION, 2 BLADES CLASS II



P/N: Q-AR(R)
 ARGENTINA

Foot Note:
 Globtek Inc. will not be liable for the safety and performance of these power supplies if unauthorized access and repair occurs. End user should consult applicable UL, CSA or EN standards for proper installation instructions

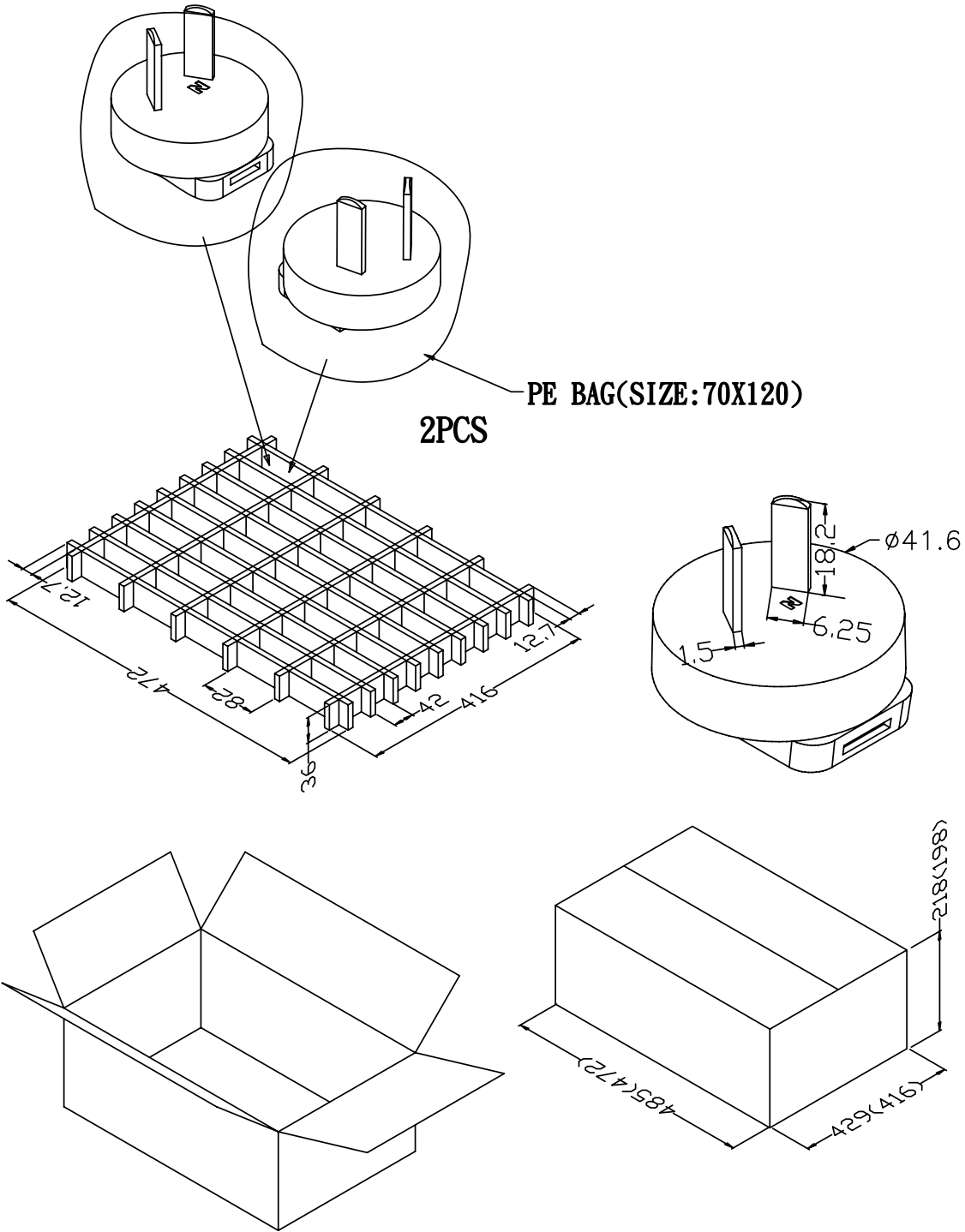
Limitation of Use:
 Globtek product are not authorized for use as mission critical components in life support, hazardous environment, nuclear or aircraft applications without prior written approval from the CEO of Globtek Inc.

DASH NO.	PART NO	REV.	DESCRIPTION	NOTES
TABULATION BLOCK				
		TOLERANCES: DECIMALS ANGULAR .xx +/- 0.1 +/- 1' .xxx +/- .005		 186 Veterans Dr. Northvale, NJ 07647 Tel. 201-784-1000 Fax 201.784.0111 www.globtek.com
INIT.BY: DMR	DATE: 05/0405	MILLIMETERS ANGULAR .xx +/- 0.3 +/- 1' .xxx +/- .013		
DRAWN: NF	DATE: 05/0405	FSCN No.: G, N	SIZE A	DWG TITLE: ARGENTINA INTERCHANGEABLE INPUT BLADES MODEL NO: N/A REV. E
APRVD : DMR	DATE: 05/0405	SCALE: NONE	PART NO: Q-AR(R)	SHEET 1 OF 2

PROPRIETARY INFORMATION:
 PROPRIETARY OF GLOBTEK, INC. ANY REPRODUCTION, DISCLOSURE OR
 USE OF THIS DRAWING, IN WHOLE OR IN PART, IS HEREBY
 PROHIBITED EXCEPT AS SPECIFIED IN WRITING BY GLOBTEK, INC.

3. PACKING:

CARTON SIZE: 485 x 429 x 218
 Q'TY: 400 pcs (80 x 5)
 WEIGHT: 9 kgs



 GlobTek, Inc. www.globtek.com		186 Veterans Dr. Northvale, NJ 07647 Tel. 201-784-1000 Fax 201.784.0111	
DWG TITLE: ARGENTINA INTERCHANGEABLE INPUT BLADES			
MODEL NO: N/A			REV. E
PART NO: Q-AR(R)			SHEET 2 OF 2