

Customer Information Sheet

DRAWING No.: S8421-45R

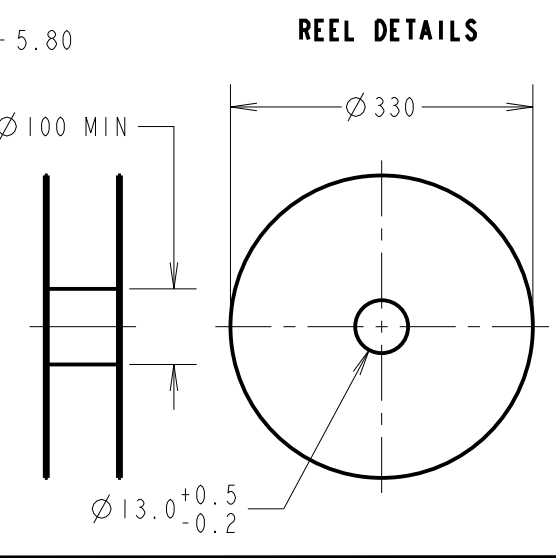
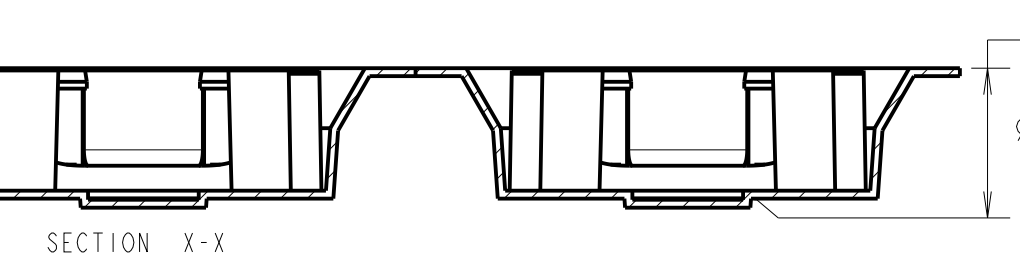
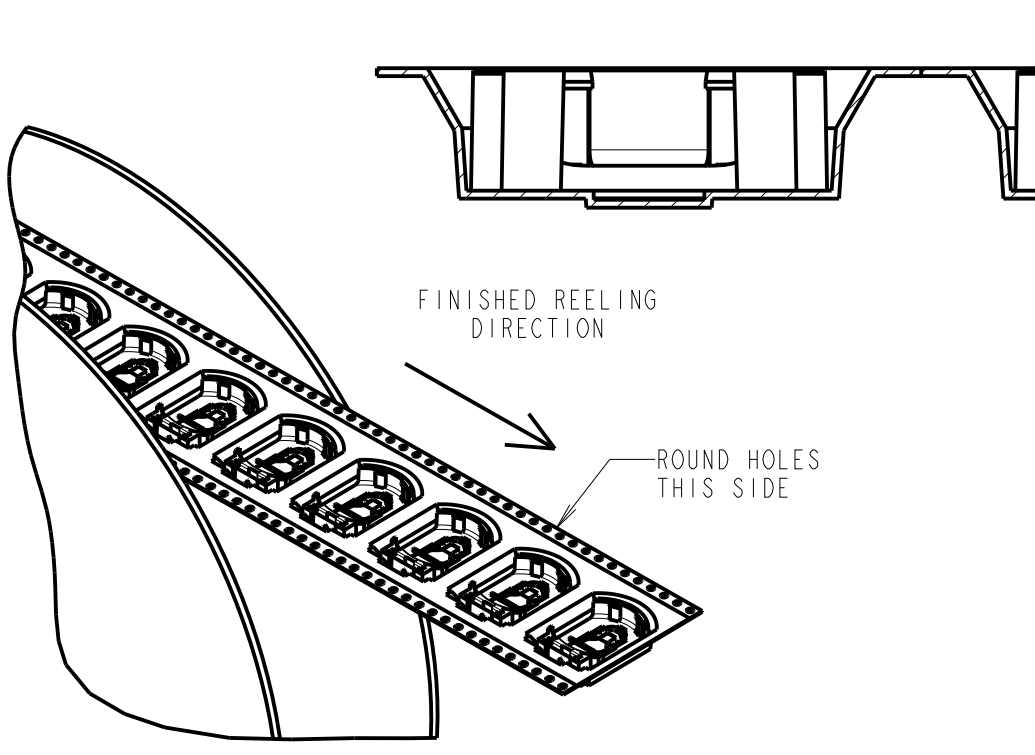
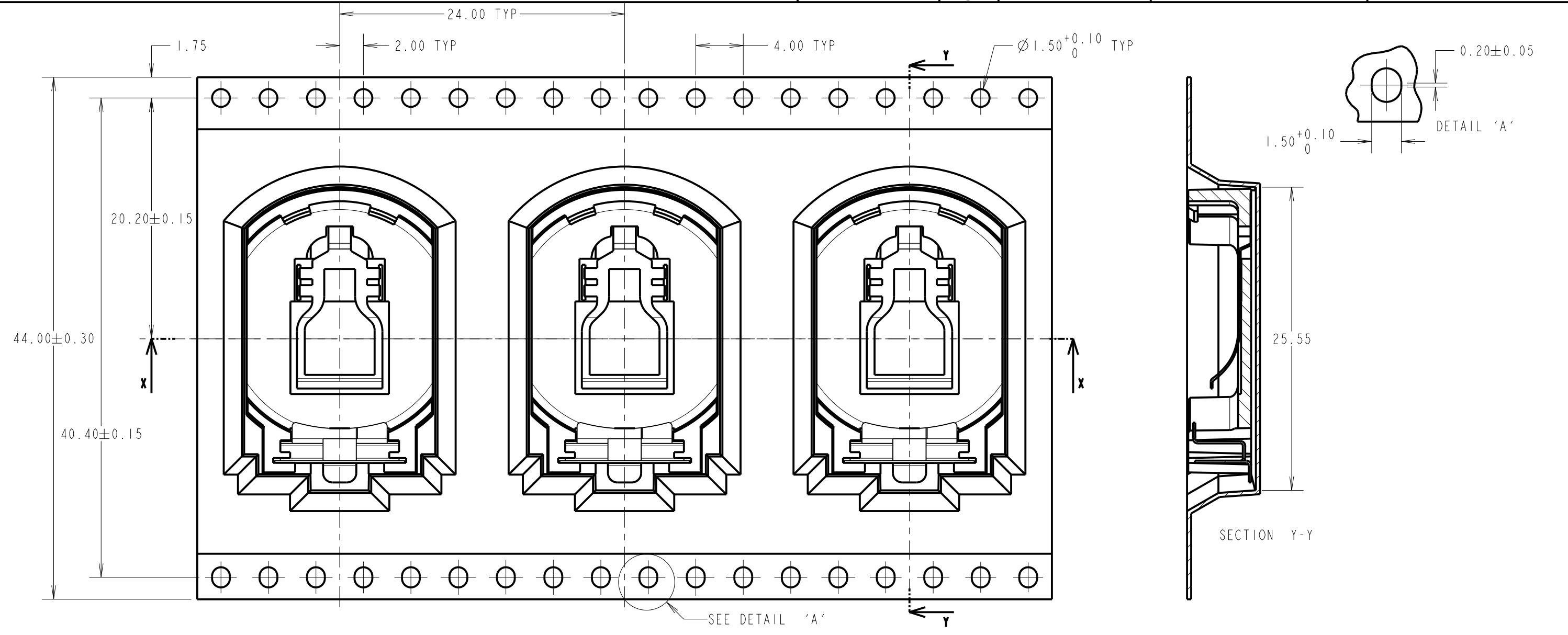
IF IN DOUBT - ASK

©

NOT TO SCALE

THIRD ANGLE PROJECTION

ALL DIMENSIONS IN mm



- NOTES:
1. FOR CONNECTOR DETAILS SEE SHEET 4.
 2. QUANTITY PER REEL = 500.
 3. TAPE AND REELING TO BE IN ACCORDANCE WITH EIA-481 (ELECTRONIC INDUSTRIES ASSOCIATION)

RA	6	05.01.22	31302
NAME	ISS.	DATE	CN/CO
APPROVED:		R.ALEXANDER	
CHECKED:		M.RUDKIN	
DRAWN:		R.ADDE	
CUSTOMER REF.:			
ASSEMBLY DRG:			

<p>www.harwin.com technical@harwin.com</p>	<p>THIS DRAWING AND ANY INFORMATION OR DESCRIPTIVE MATTER SET OUT HEREON ARE CONFIDENTIAL AND COPYRIGHT PROPERTY OF THE HARWIN GROUP AND MUST NOT BE DISCLOSED, LOANED, COPIED OR USED FOR MANUFACTURING, TENDERING OR FOR ANY OTHER PURPOSE WITHOUT THEIR WRITTEN PERMISSION.</p>	<p>TOLERANCES</p> <p>X. = ± 1mm X.X = ± 0.50mm X.XX = ± 0.20mm X.XXX = ± 0.01mm</p> <p>ANGLES = $\pm 5^\circ$</p> <p>UNLESS STATED</p>	<p>MATERIAL:</p> <p>SEE SHEET 1</p>	<p>TITLE:</p> <p>SMT COIN CELL HOLDER FOR CR2032 TAPE & REELED</p>
			<p>FINISH:</p> <p>SEE SHEET 1</p>	<p>DRAWING NUMBER:</p> <p>S8421-45R</p>

Customer Information Sheet

DRAWING No.: S8421-45R

IF IN DOUBT - ASK

©

NOT TO SCALE

THIRD ANGLE PROJECTION

ALL DIMENSIONS IN mm

SPECIFICATIONS:

MATERIAL:

MOULDING: PPS 30% G/F, UL94V-0, BROWN

CONTACT: PHOSPHOR BRONZE

FINISH:

CONTACTS = GOLD FLASH

ELECTRICAL:

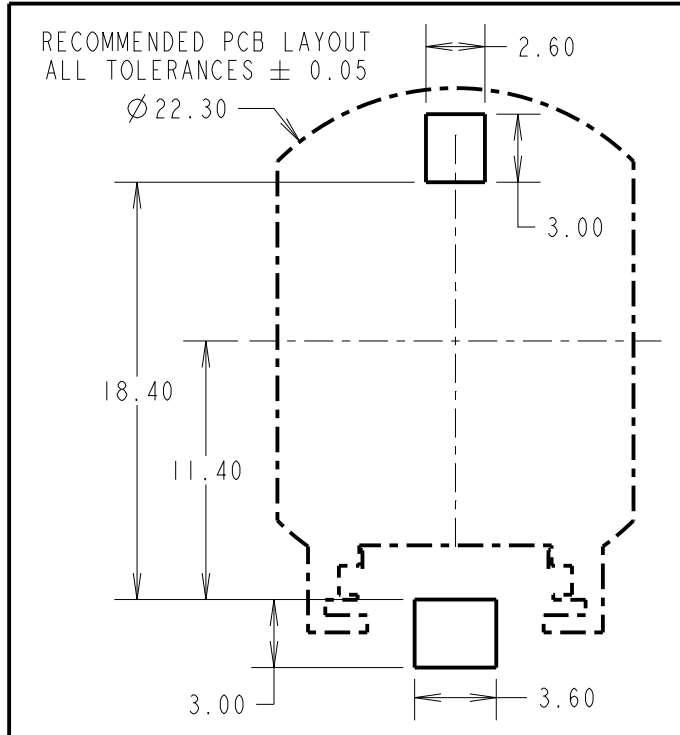
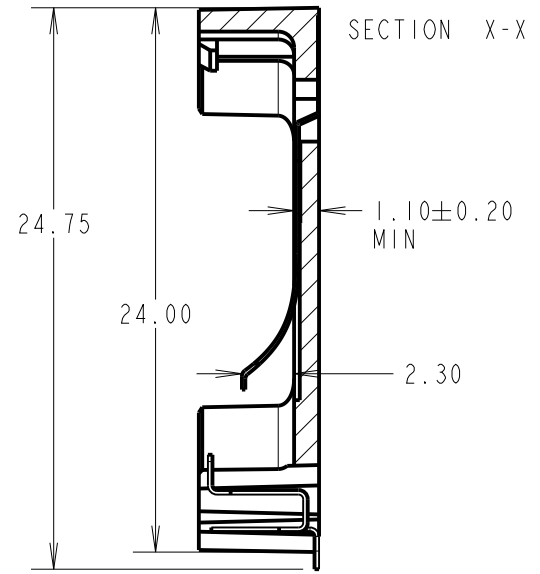
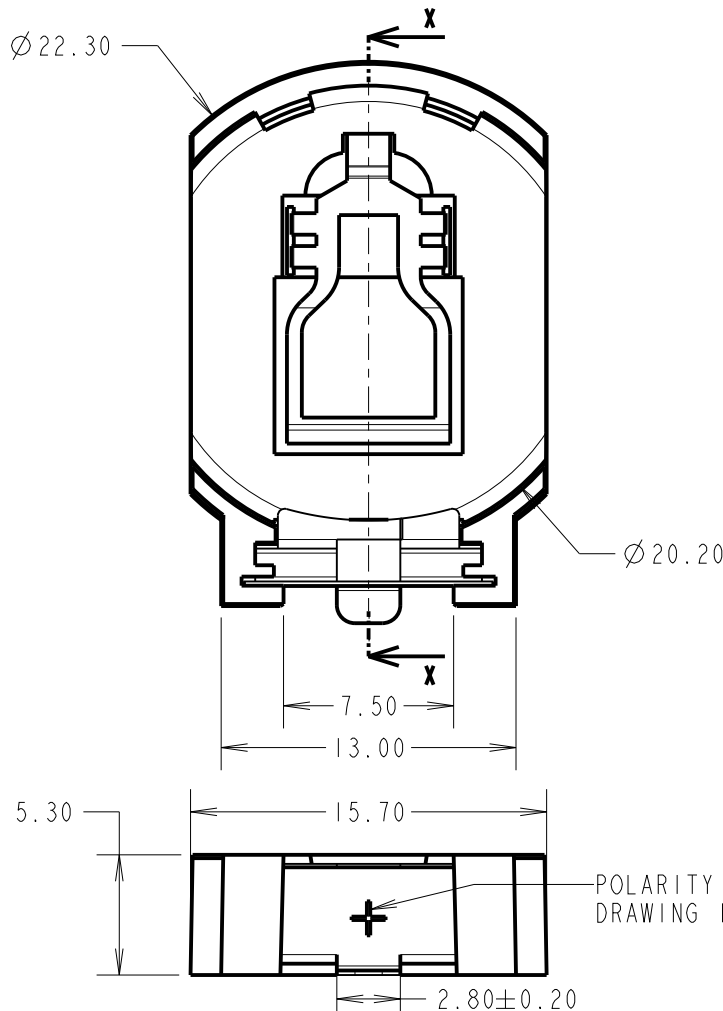
CONTACT RESISTANCE = 30mΩ MAX

INSULATION RESISTANCE = 1000MΩ MIN

DIELECTRIC VOLTAGE = 220V AC FOR 1 MINUTE

ENVIRONMENTAL:

OPERATING TEMPERATURE = -55°C TO +85°C



- NOTES:**
- SUITABLE FOR THE FOLLOWING COIN CELL: CR2032.
 - ALL TOLERANCES ARE ±0.30 UNLESS OTHERWISE STATED.

RA	6	05.01.22	31302
NAME	ISS.	DATE	CN/CO
APPROVED: R.ALEXANDER			
CHECKED: M.RUDKIN			
DRAWN: R.ADDE			
CUSTOMER REF.:			
ASSEMBLY DRG:			



www.harwin.com
technical@harwin.com

THIS DRAWING AND ANY INFORMATION OR DESCRIPTIVE MATTER SET OUT HEREON ARE CONFIDENTIAL AND COPYRIGHT PROPERTY OF THE HARWIN GROUP AND MUST NOT BE DISCLOSED, LOANED, COPIED OR USED FOR MANUFACTURING, TENDERING OR FOR ANY OTHER PURPOSE WITHOUT THEIR WRITTEN PERMISSION.

TOLERANCES	
X	= ±1mm
X.X	= ±0.50mm
X.XX	= ±0.20mm
X.XXX	= ±0.01mm
ANGLES = ±5°	
UNLESS STATED	

MATERIAL:	SEE ABOVE
FINISH:	SEE ABOVE
S/AREA:	mm ²

TITLE:	COIN CELL HOLDER FOR CR2032	
DRAWING NUMBER:	S8421-45R	
SHT	4	OF 4