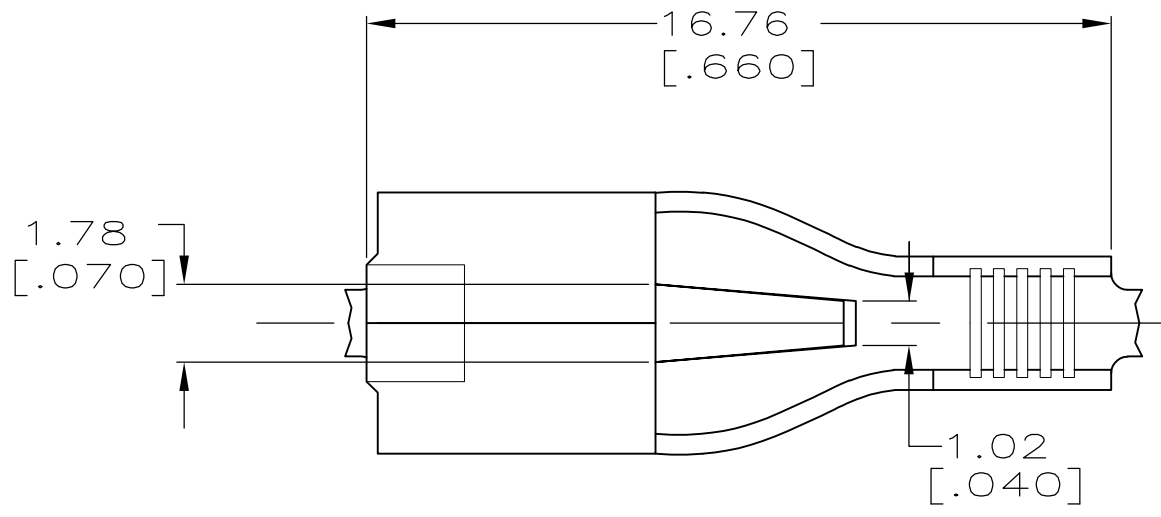
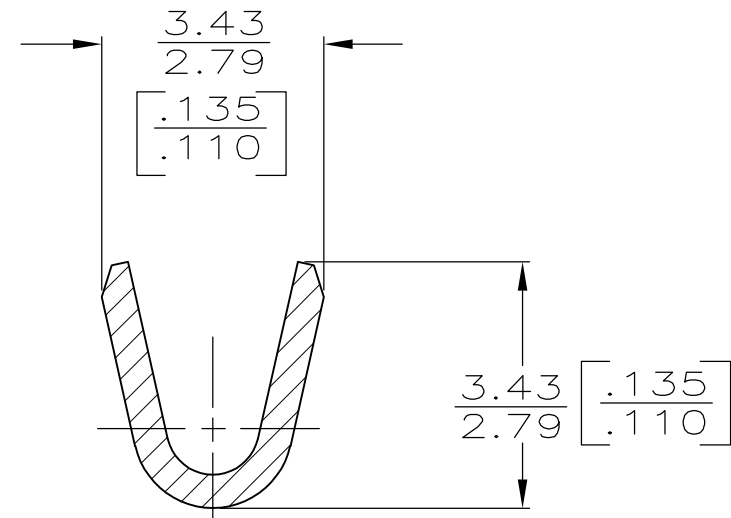


THIS DRAWING IS UNPUBLISHED. RELEASED FOR PUBLICATION  
 © COPYRIGHT BY TYCO ELECTRONICS CORPORATION. ALL INTERNATIONAL RIGHTS RESERVED.

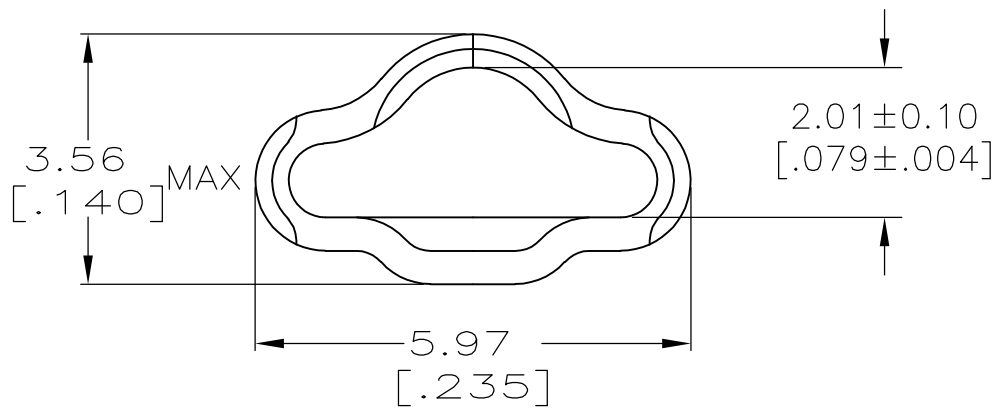
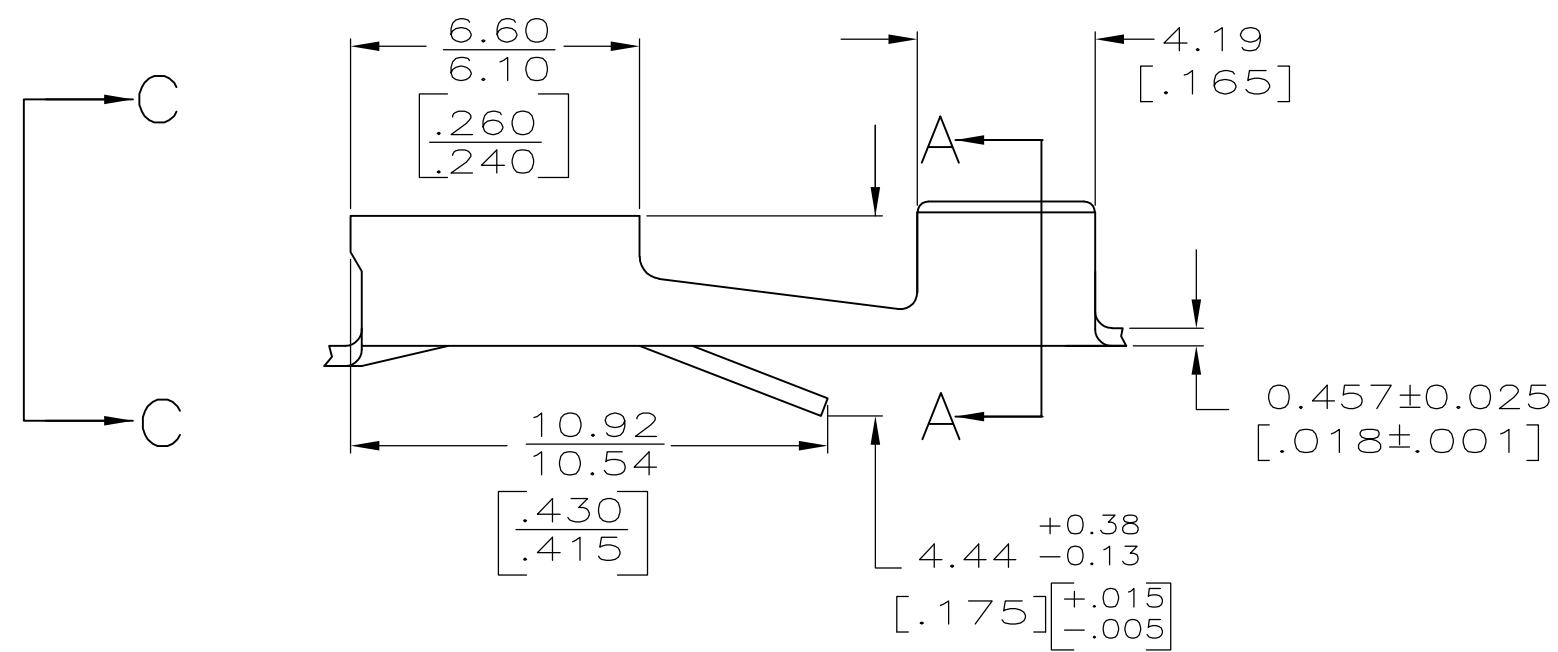
| LOC | DIST | REVISIONS   |                           |         |        |
|-----|------|-------------|---------------------------|---------|--------|
| P   | LTR  | DESCRIPTION | DATE                      | DWN     | APVD   |
| AF  | 50   | S1          | REVISED PER ECR-09-014908 | 15JUL09 | HMR DD |



- 1 CONTINUOUS STRIP ON REEL.
- 2 PRELIMINARY - NOT FOR PRODUCTION



SECTION A-A  
SCALE 10:1



VIEW C-C  
SCALE 10:1

|                            |                                     |                    |
|----------------------------|-------------------------------------|--------------------|
| [21-16] AWG<br>MAGNET WIRE | BERYLLIUM COPPER<br>H03 PHOS BRONZE | 60177-4<br>60177-2 |
| WIRE RANGE                 | MATERIAL                            | PART NO            |

|  |  |                               |   |                    |
|--|--|-------------------------------|---|--------------------|
| THIS DRAWING IS A CONTROLLED DOCUMENT. |  | DWN<br>PHIL FORTNEY<br>9/8/93 | Tyco Electronics Corporation<br>Harrisburg, PA 17105-3608 |                    |
| DIMENSIONS:<br>mm [INCHES]             | TOLERANCES UNLESS<br>OTHERWISE SPECIFIED:  | CHK<br>JEFF RUTH<br>9/8/93    | NAME  |                    |
|  | 0 PLC ± -                                  | APVD<br>GARY YETTER<br>9/8/93 | PRODUCT SPEC  |                    |
|  | 1 PLC ± -                                  |                               | APPLICATION SPEC  |                    |
| MATERIAL<br>SEE TABLE                  | FINISH<br>0.002032 [.000080]<br>MIN TIN PL |                               | SIZE<br>A3  | CAGE CODE<br>00779 |
|  |  |                               | DRAWING NO<br>G-60177                                     | RESTRICTED TO      |
|  |  |                               | SCALE<br>6:1  | SHEET<br>1 OF 1    |
|  |  |                               |   | REV<br>S1          |