

SUMMARY

Wires

Low voltage 3



Image is for illustrative purpose only

Series	0M
Termination type	Male crimp
IP rating	68 mated (mating interface)
AWG wire size	24.00 - 20.00
Cable Ø	4.00 - 8.00 mm
Status	active
Matching parts	FGS.0M.303.CLMT

Download

[Request a quote](#)

[Catalog](#)

TECHNICAL DETAILS

Mechanics

Shell Style/Model	PE*: Fixed receptacle, nut fixing and mold stop
Keying	3 keys (beta=155, gamma=50, plug: female contacts, receptacle: male contacts)
Housing Material	Brass (chrome plated [SAE AMS 2460]) shell and collet nut, nickel plated [SAE AMS QQ N 290] brass latch sleeve and mid pieces
Weight	7.31 g

Performance

Configuration	0M.303 : 3 Low Voltage
Insulator	L: PEEK
Rated Current	8 Amps

Specifications

Contact Type: Crimp
Contact Retention: 30 N
Contact Dia.: 0.9 mm (0.035in)
Bucket Dia.: 1.1 mm (0.043in)
Min. Conductor: 0.25 mm² (AWG 24)
Max. Conductor: 0.5 mm² (AWG 20)
R (max): 4.8 mOhm
Test voltage (kV rms) Contact-contact: 1.70

LEMO products and services are provided "as is". LEMO makes no warranties or representations with regard to LEMO product & services or use of them, express, implied or statutory, including for accuracy, completeness, or security. The user is fully responsible for his products and applications using LEMO components.

Test voltage (kV rms) Contact-shell: 1.4

Others

Endurance (Shell): 3000 mating cycles

Temp (min / max): -55°C / +200°C

Humidity (max): 21 days at 95%

Gunfire vibration: 25 Hz - 2000 Hz, 3 axis (Apache helicopter)

Vibration-Sine: 30 g, 3 axes, 12 hr [10 Hz - 2000 Hz]

Vibration-Random: 37.8 g rms - 3 axes, 4 hr amb [50 Hz - 2000 Hz]

Shock Resistance: 300 g [3 ms]

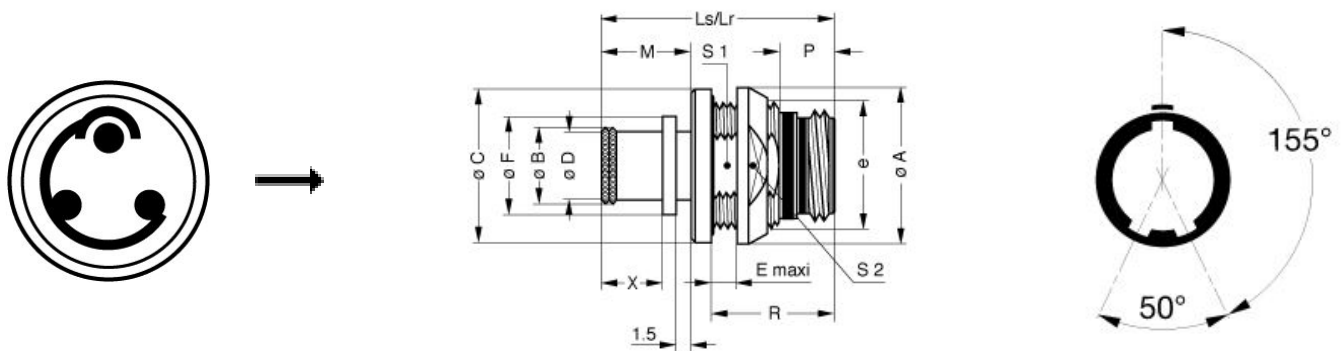
Lighting strike EIA 364-75: 10K amps - 6 times

Thermal shock: 5 cycles: -65°C to +150°C

EMI Shielding EIA 364-66A: >= 80 dB (1 GHz), >=70 dB (3 GHz), >= 58 dB (6 GHz), >= 40 dB (10 GHz)

Salt Spray Corrosion: >1000 hr

DRAWINGS



Dimensions

	A	B	C	D	E	Lr	Ls	M	P	R	S1	S2	e
mm.	17	8.8	16.8	8	5	25.6	25.6	9.7	5.3	13.8	11.5	14	M13x0.75
in.	0,67	0,35	0,66	0,31	0,20	1,01	1,01	0,38	0,21	0,54	0,45	0,55	

RECOMMENDED BY LEMO

LEMO products and services are provided "as is". LEMO makes no warranties or representations with regard to LEMO product & services or use of them, express, implied or statutory, including for accuracy, completeness, or security. The user is fully responsible for his products and applications using LEMO components.

Tools

Crimp Tool:	DPC.91.701.V
Crimp settings:	AWG/Selector = 20-22-24/6-5-5
Positionner:	DCE.91.090.5MVC
Extractor:	DCC.09.05B.LAG
Replacement contact:	FGN.0M.560.ZZC
Spanner wrench:	Socket for torque wrench DCM.65.140.AZ

LEMO products and services are provided "as is". LEMO makes no warranties or representations with regard to LEMO product & services or use of them, express, implied or statutory, including for accuracy, completeness, or security. The user is fully responsible for his products and applications using LEMO components.