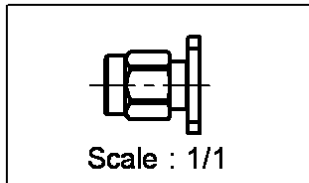
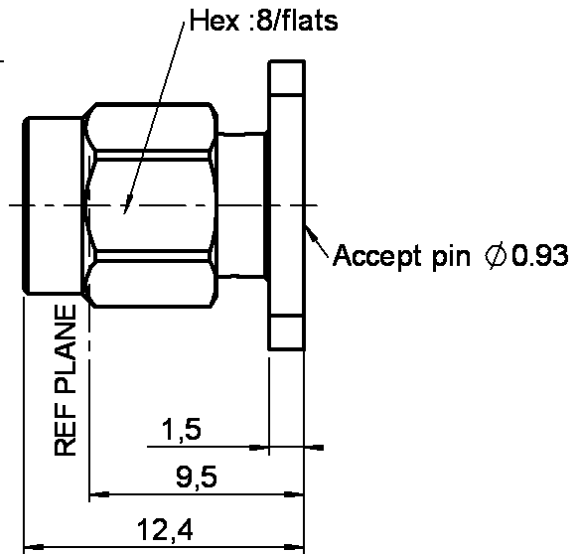
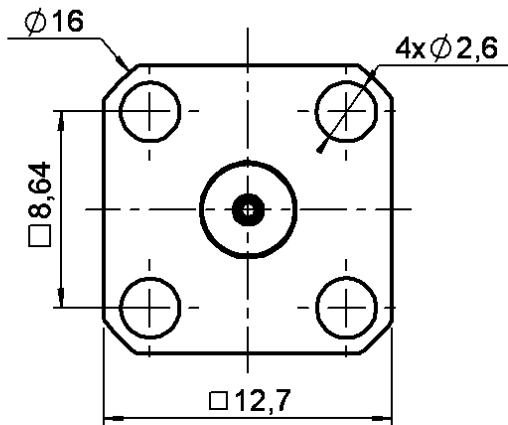


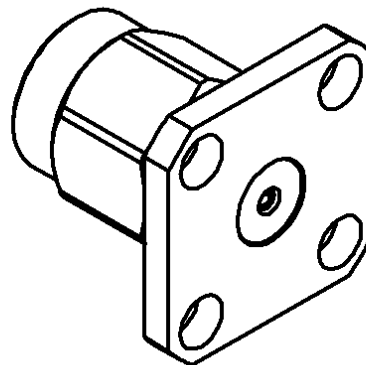
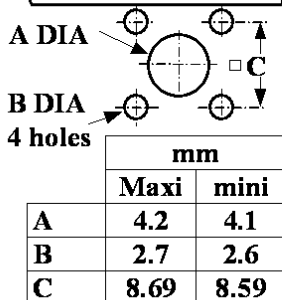
UNIVERSAL SQUARE FLANGE PLUG RECEPTACLE

**R125.430.001**

Series : SMA



**PANEL CUT OUT**



All dimensions are in mm.



| COMPONENTS     | MATERIALS        | PLATINGS (µm)          |
|----------------|------------------|------------------------|
| BODY           | STAINLESS STEEL  | PASSIVATED .           |
| CENTER CONTACT | BERYLLIUM COPPER | GOLD 1.3 OVER NICKEL 2 |
| OUTER CONTACT  | -                | -                      |
| INSULATOR      | PTFE             | -                      |
| GASKET         | SILICONE RUBBER  | -                      |
| OTHERS PARTS   | STAINLESS STEEL  | PASSIVATED .           |
| -              | -                | -                      |
| -              | -                | -                      |

Issue : 0222 E

In the effort to improve our products, we reserve the right to make changes judged to be necessary.



**UNIVERSAL SQUARE FLANGE PLUG RECEPTACLE**

**R125.430.001**

Series : SMA

**PACKAGING**

**SPECIFICATION**

| Standard   | Unit              | Other             |
|------------|-------------------|-------------------|
| <b>100</b> | <b>'W' option</b> | <b>Contact us</b> |

**ELECTRICAL CHARACTERISTICS**

**ENVIRONMENTAL**

|                                 |               |                              |
|---------------------------------|---------------|------------------------------|
| Impedance                       |               | <b>50</b> Ω                  |
| Frequency                       |               | <b>0-18</b> GHz              |
| VSWR                            | <b>1.06</b> + | <b>0.002</b> x F(GHz) Maxi   |
| Insertion loss                  |               | <b>0.07*</b> √F(GHz) dB Maxi |
| RF leakage                      | - (           | <b>60</b> - F(GHz)) dB Maxi  |
| Voltage rating                  |               | <b>500</b> Veff Maxi         |
| Dielectric withstanding voltage |               | <b>1000</b> Veff mini        |
| Insulation resistance           |               | <b>5000</b> MΩ mini          |

|                       |                     |
|-----------------------|---------------------|
| Operating temperature | <b>-65/+165</b> ° C |
| Hermetic seal         | <b>NA</b> Atm.cm3/s |
| Panel leakage         | <b>NA</b>           |

**OTHERS CHARACTERISTICS**

Assembly instruction **NA**

Others :

\* Coaxial Transmission Line Only

**MECHANICAL CHARACTERISTICS**

|                            |                        |
|----------------------------|------------------------|
| Center contact retention   |                        |
| Axial force – Mating end   | <b>27</b> N mini       |
| Axial force – Opposite end | <b>27</b> N mini       |
| Torque                     | <b>2.8</b> N.cm mini   |
| Recommended torque         |                        |
| Mating                     | <b>100</b> N.cm        |
| Panel nut                  | <b>NA</b> N.cm         |
| Mating life                | <b>500</b> Cycles mini |
| Weight                     | <b>3.976</b> g         |

Issue : 0222 E

In the effort to improve our products, we reserve the right to make changes judged to be necessary.

