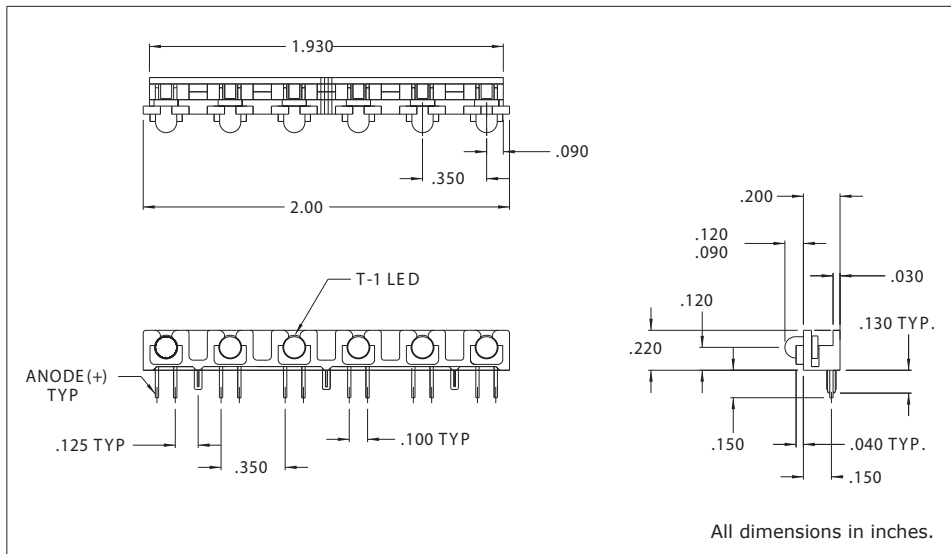


5326 Series T-1 Right Angle 6 Wide LED Assembly Description and Features



Features

- Perfect height and center spacing with 6 T-1 LEDs.
- Labor-saving single-block installation.
- Standoffs prevent flux entrapment.
- Press-in pins hold part through soldering.
- Compact, only 5.6mm high.

Housing: Black thermoplastic polyester, UL94V-O

Note: Alternate LEDs are also available in this package as a standard variation.

Refer to "Mounting Hole Pattern 2.pdf"

Electro-Optical Characteristics and Ratings

Part Number	Emitted Color	Rated Current (mA)	Continuous Forward Current Max. (mA)	Typ. Intensity (mcd)	Forward Voltage		Reverse Breakdown Voltage Min. (V)	Peak Wavelength (nm)
					Typ. (V)	Max. (V)		
5326F1	Red	10	30	10	2.0	3.0	5	650