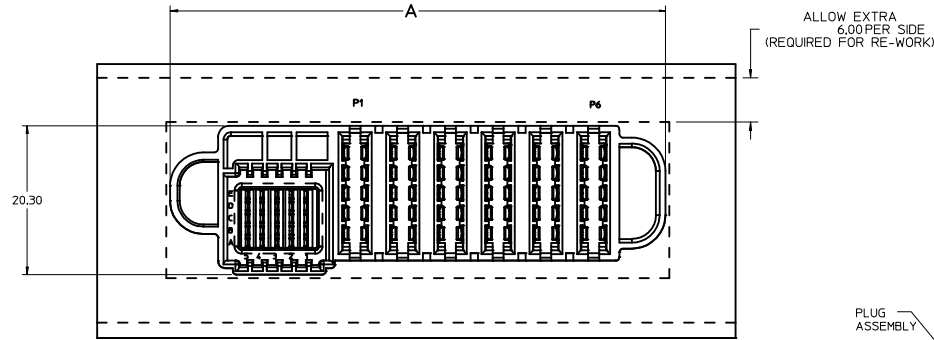
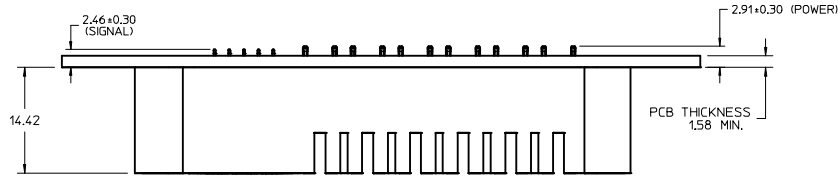
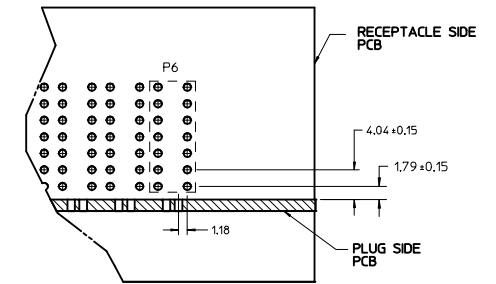
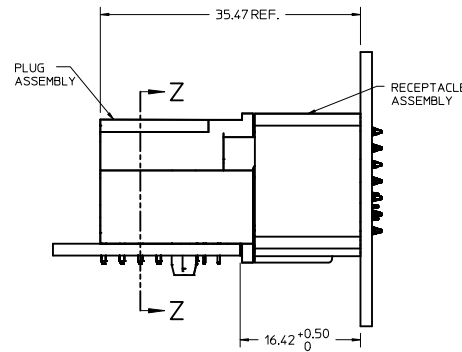
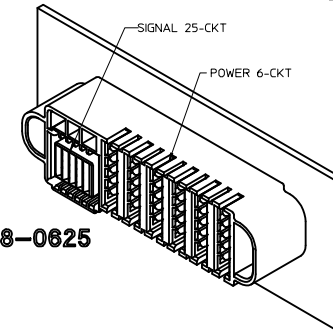


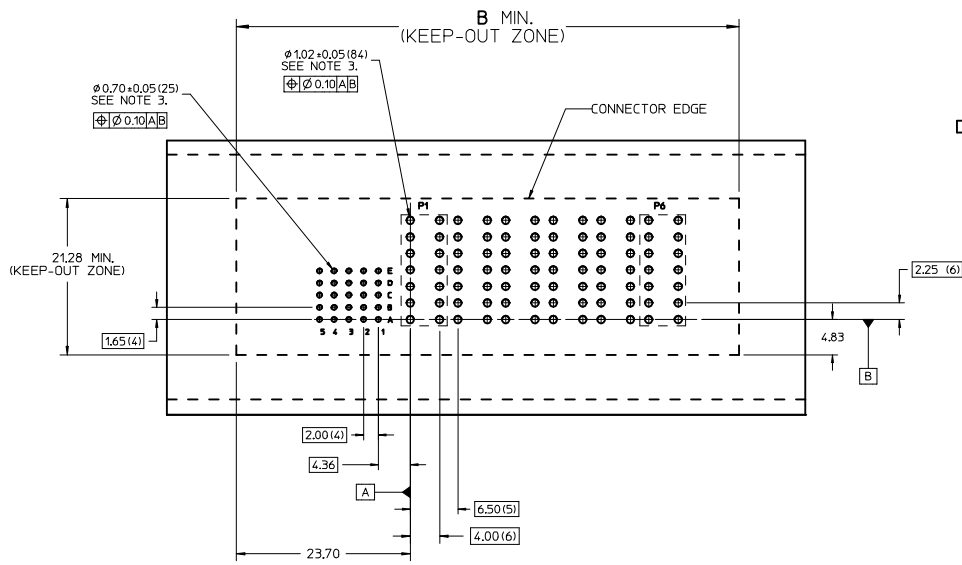
PART NUMBER	CKT	DIM 'A'	DIM 'B'
171098-0625	25 SIGNAL - 6 POWER	67,50	68,50
171098-0425	25 SIGNAL - 4 POWER	54,50	55,50
171098-0225	25 SIGNAL - 2 POWER	41,50	42,50



P/N: 171098-0625
SHOWN



PARTIAL SECTION Z-Z
SCALE 3:1



RECOMMENDED PCB LAYOUT AND KEEP-OUT ZONE

NOTES:

- MATERIAL:
 - HOUSINGS: LCP UL94 V-0, COLOR: BLACK.
 - TERMINALS: HIGH CONDUCTIVITY COPPER ALLOY.
 - (A2) -PLATING: 127 MICROMETER NICKEL OVERALL WITH 2,54 MICROMETER SELECTIVE TIN ON TAILS AND 0,762 MICROMETER SELECTIVE GOLD ON CONTACT AREA.
- PACKAGING ASSEMBLIES TO BE TRAY PACKED PER PK-171098-0100.
- PC BOARD REQUIRES THRU HOLES. REFER TO PS-171097-100 FOR DETAILS.
- PRODUCT SPEC.: PS-171097-100.
- APPLICATION SPEC.: AS-171097-100.
- SEE PRODUCT SPEC FOR ROHS REQUIREMENTS.
- ASSEMBLY MATES WITH MOLEX PLUG ASSEMBLY, P/N 171097-XXXX.

REVISED NOTES IEC NO. UCP2013-2089 DRAWN: SCHAEFER 2012/11/17 CHKD: APPR: APATEL 2012/12/04 REVISIONS DESCRIPTION	QUALITY SYMBOLS	GENERAL TOLERANCES (UNLESS SPECIFIED)	DIMENSION STYLE MM ONLY	SCALE 3:1	DESIGN UNITS METRIC	THIRD ANGLE PROJECTION
	4 PLACES ± --- ± --- 3 PLACES ± --- ± --- 2 PLACES ± 0.25 ± --- 1 PLACE ± 0.25 ± --- ANGULAR ±1/2°	mm INCH --- --- --- --- --- --- --- ---	DRAWN BY: MKARADI MAS 2011/06/06 CHECKED BY: DATE E. KINSLEY 2012/01/30 APPROVED BY: DATE APATEL 2012/03/15	MATERIAL NO. SEE CHART	DOCUMENT NO. SD-171098-0100	TITLE VERT. RECEPTACLE ASSY PRESS-FIT ENERGETIC
DRAFT WHERE APPLICABLE MUST REMAIN WITHIN DIMENSIONS		THIS DRAWING CONTAINS INFORMATION THAT IS PROPRIETARY TO MOLEX INCORPORATED AND SHOULD NOT BE USED WITHOUT WRITTEN PERMISSION				