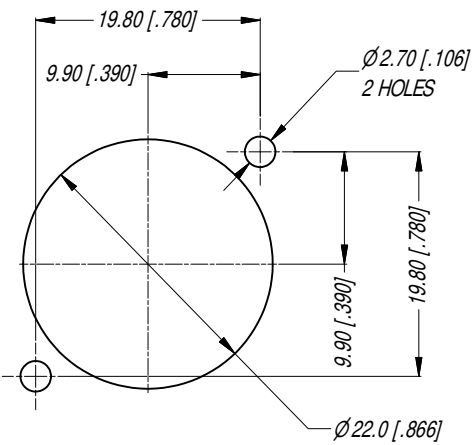


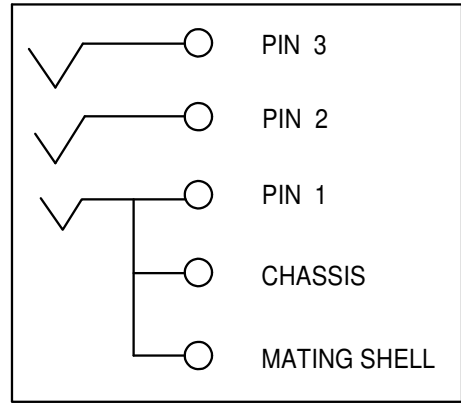
PCB LAYOUT

LAYOUT TOLERANCE : ± 0.05 [± .002 in]

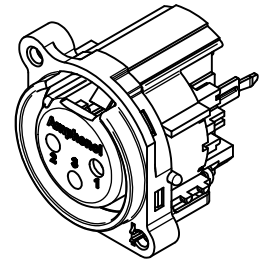
NOTE: DIMENSIONS IN PARENTHESES ARE IN INCHES.



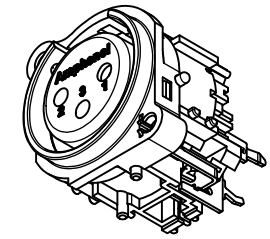
PANEL CUT OUT REAR VIEW



SCHEMATIC CHART



3D MODEL (1:1)



NOTE: SUFFIX "B" IN THE PART No INDICATES BULK PACK.

UNLESS OTHERWISE SPECIFIED TOLERANCE TO BE:		THIS DOCUMENT IS THE PROPERTY OF AMPHENOL AUSTRALIA PTY. LTD. NO PART THEREOF MAY BE REPRODUCED AND USED WITHOUT THE PRIOR WRITTEN CONSENT OF THE OWNER			
LINEAR	ANGULAR	CAD FILE	DRN:	DATE:	
X ±	X° ± 1	55010496000221	T.N	17/04/07	
X.X ±	X.X° ± 30'	MATL:	P.M	DATE:	
X.XX ±	X.XX° ± 15'	REFER TO COMPONENTS	P.M	07/04/09	
DO NOT SCALE		FINISH:	P.M	DATE:	
REFER TO COMPONENTS		APP'D:	P.M	07/04/09	
DIMENSIONS IN MILLIMETRES		THIRD ANGLE PROJECTION	SCALE:	PART No:	
			3:2	AC3FBVL1-AU-B	

REV	DESCRIPTION	DATE	BY	CHG NO
2	ADD SUFFIX B TO PART No.	27/08/15	T.N	9318
1	UPDATE FEMALE SHELL	2/4/2009	A.O	8793
0	FIRST ISSUE	03/09/07	T.N	8686

TITLE:		Amphenol	
XLR FEMALE B TYPE CONNECTOR		Amphenol Australia Pty.Ltd. 2 Fiveways Blvd. Keysborough, Vic3173	
CUSTOMER DWG		DRAWING NO.	SHEET
		55010496-000-2	2/2