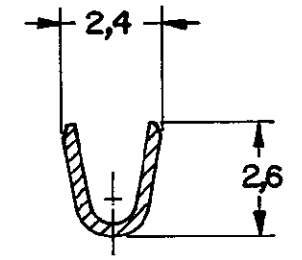
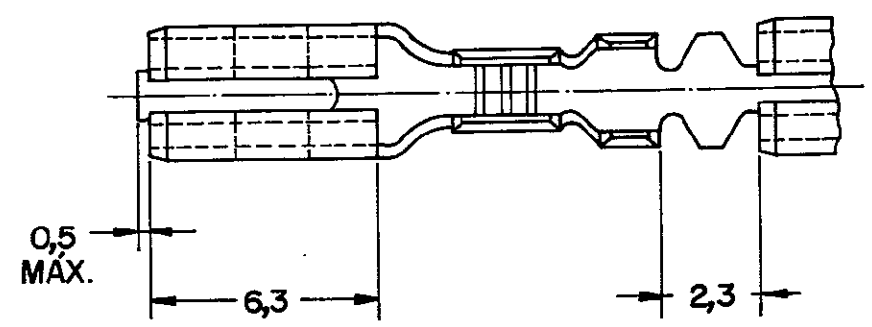
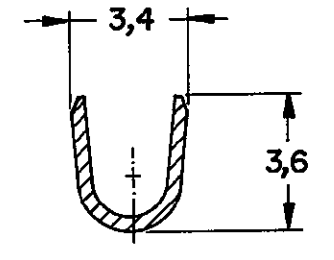


C 881799 1 of 1

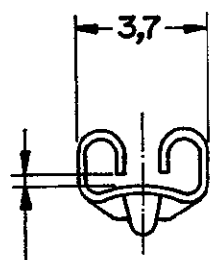
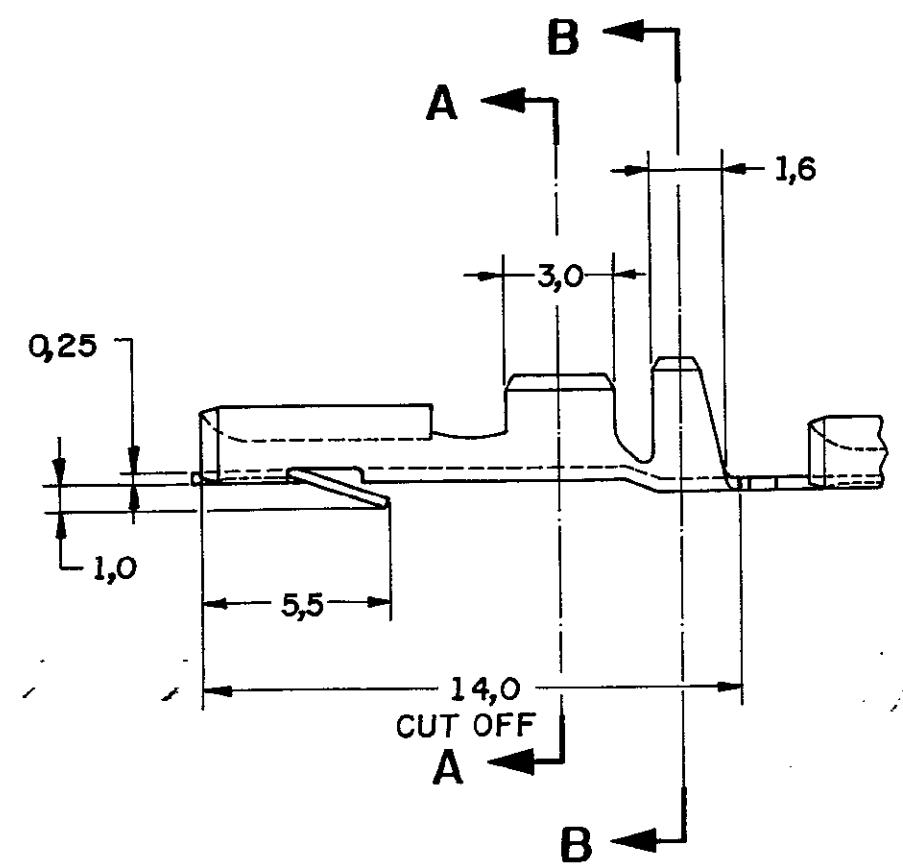
DWG NO. 881799		DO NOT SCALE		METRIC		3rd ANGLE PROJECTION	
		DIMENSIONS IN mm.					
REQ. PER ASSY	ITEM	DESCRIPTION	MATERIAL	FINISH			



CORTE A-A
SECTION



CORTE B-B
SECTION



PARA TAB. 0,8
ESPESSURA
FOR 0,8 TAB.

1 OBSOLETE PARTS: OBSOLETE CIS STREAMLINING PER D.RENAUD/D.SINISI

(C1) PRÉ ESTANHADO/ PRE TINNED			1	-4
	(C1) BRONZE FOSF. / PH. BRONZE			-3
(C1) PRÉ ESTANHADO/ PRE TINNED				-2
	(C1) LATÃO / BRASS			-1
	FINISH	MATERIAL	PART NUMBER	

CUSTOMER DWG for REFERENCE ONLY				THIS DRAWING IS UNPUBLISHED RELEASED FOR PUBLICATION 19			
				© COPYRIGHT 19 BY AMP DO BRASIL LTDA S.P. ALL INTERNATIONAL RIGHTS RESERVED AMP PRODUCTS MAY BE COVERED BY U.S. AND FOREIGN PATENTS AND/OR PATENTS PENDING.			
TOLERANCES UNLESS OTHERWISE STATED		INS. DIA RANGE	WIRE RANGE	SCALE			
DEC. ± 0,3		1,40 - 2,30mm	0,5 - 1,0 mm ²				
ANGLES ± 1°				AMP AMP do BRASIL LTDA. São Paulo, Brasil			
		DR. N. C. LAPRESA 07 - AUG - 95		DESCRIPTION RECEPTACLE .110 SERIES FASTIN-FASTON			
C2 REVISED PER ECO-09-026444		KK AEG	01DEC09	CHK. 10 - AUG - 95 J.R. FOLDSCHMIDT			
C1 REVISED BY		023-98	DAR-F	DE.			
C REDRAWN WITH CHANGE		351-95	NCL	10 AUG 95			
ISS	REVISION	RECORD	ECN	DR	CHK	DATE	APP.
A3		DWG NO. C 881799		SHEET 1 OF 1			