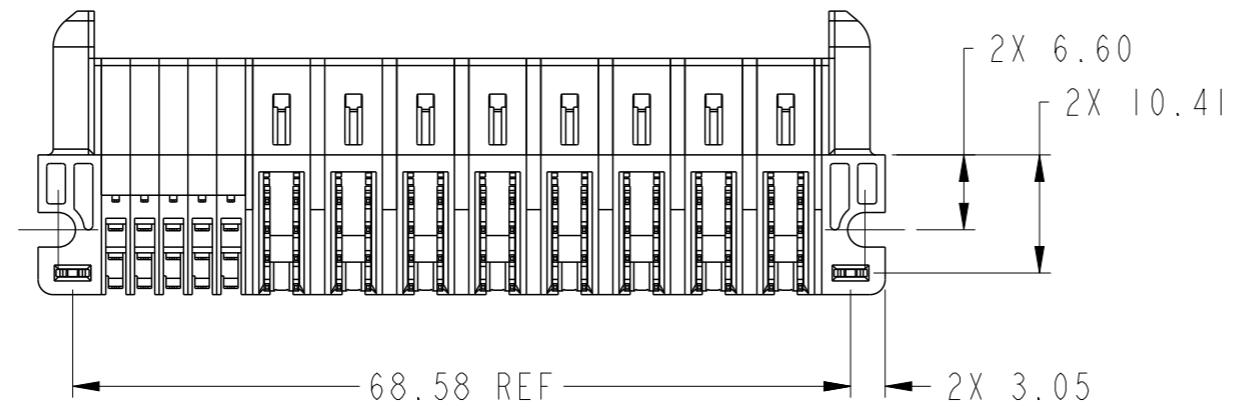
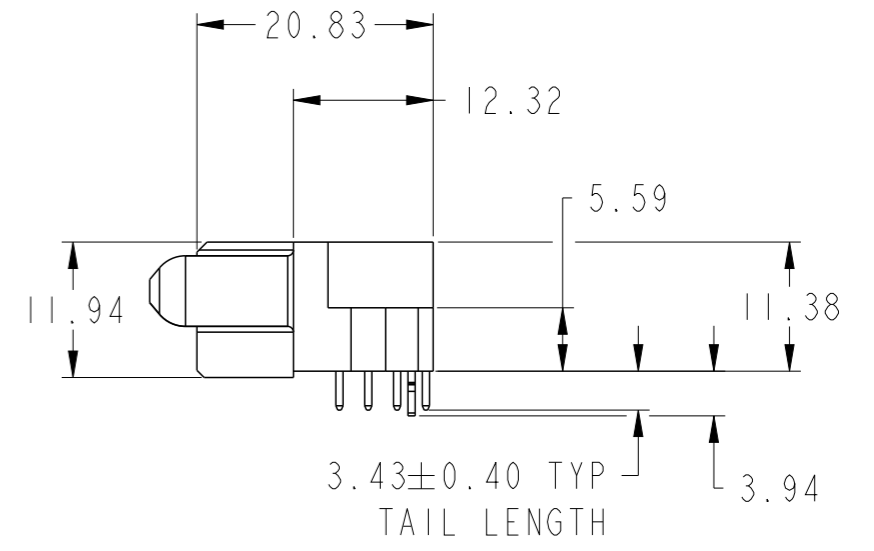
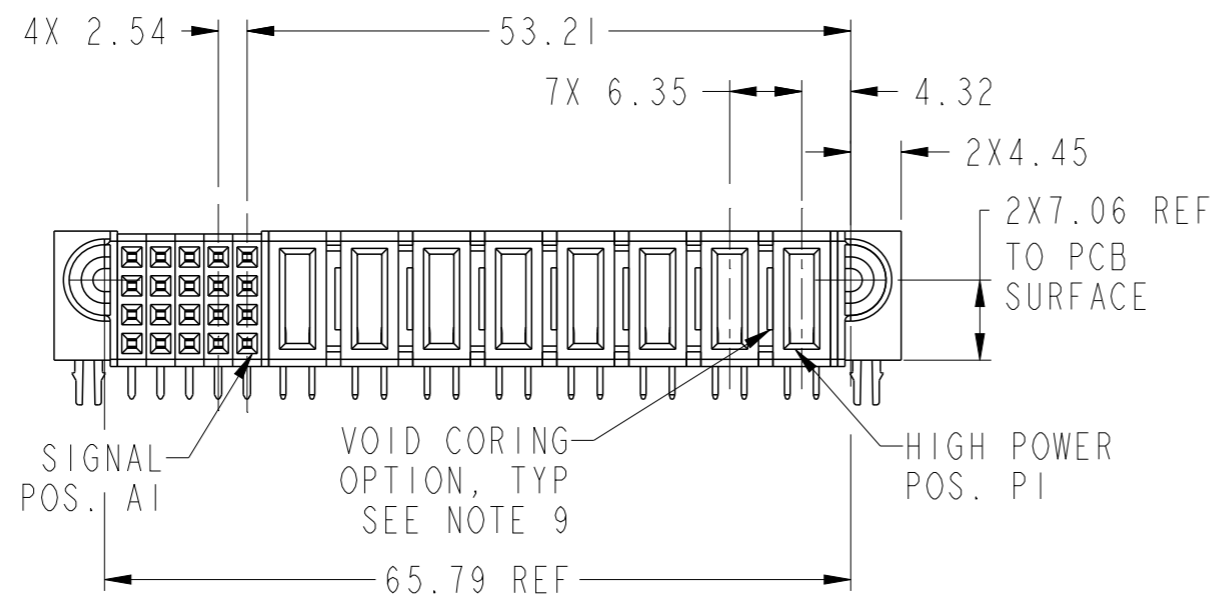
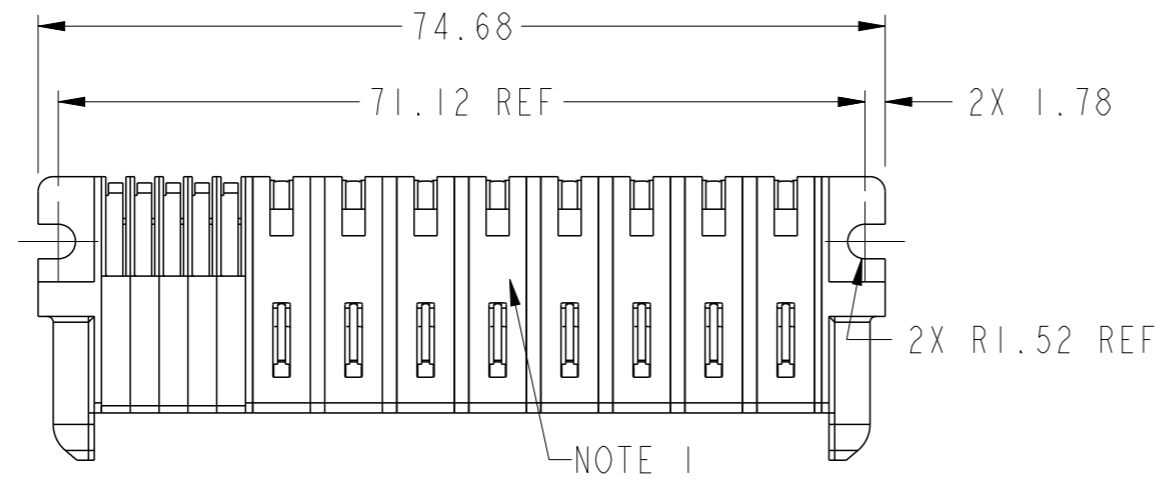
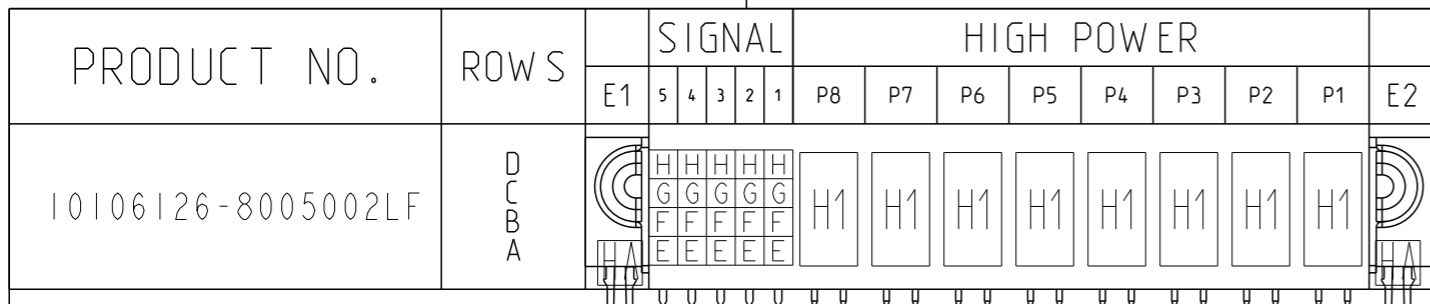


PRODUCT NUMBER SEE SHEET 2



Copyright FCI. FCI

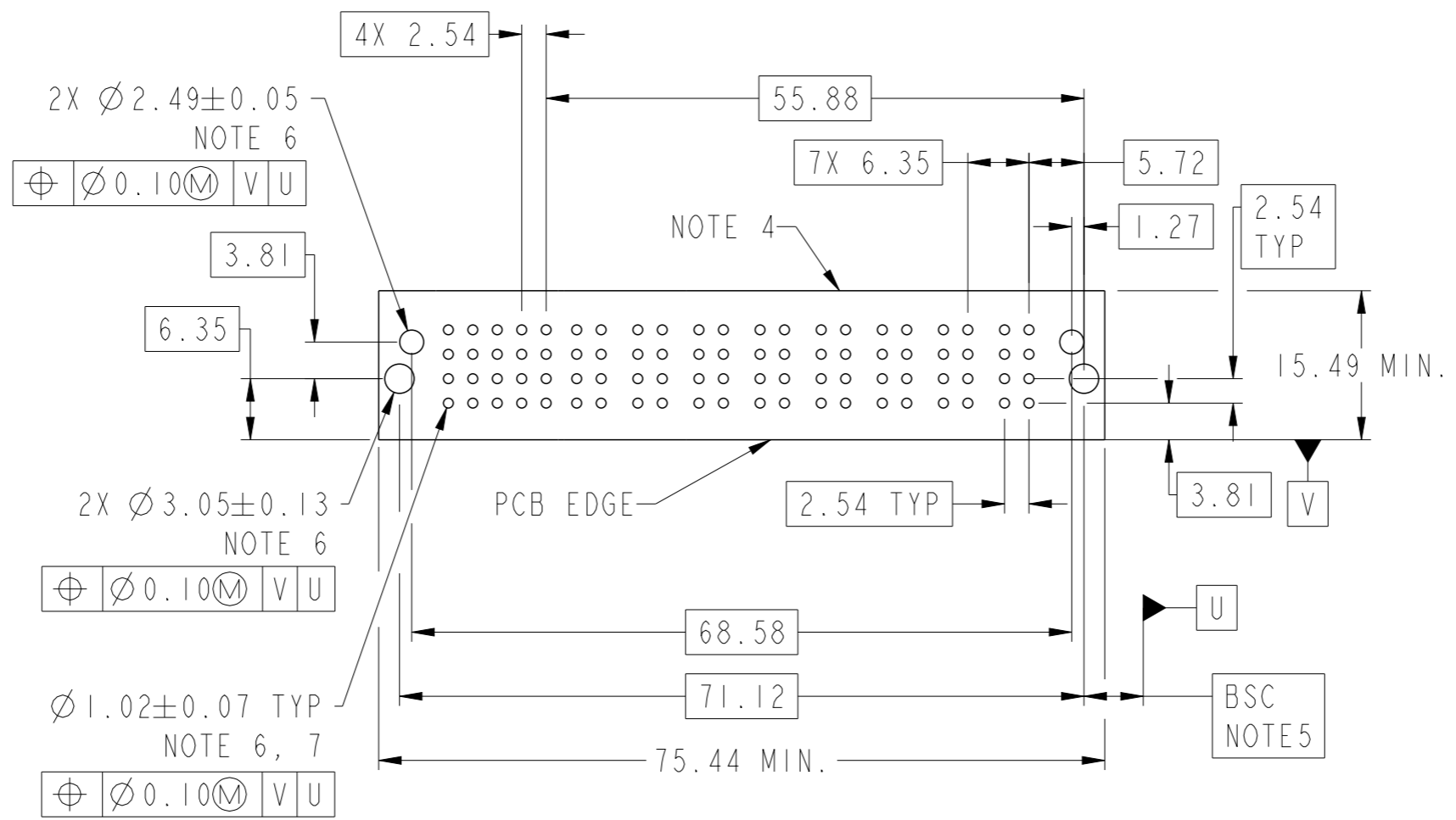
spec ref	*	dr	Xie Bob	2013/08/29	projection	MM	size	A3	scale	3:2			
tolerance std	ASME Y14.5	eng	Xie Bob	2013/09/12			ecn no		-				
TOLERANCES UNLESS OTHERWISE SPECIFIED		chr	Li-He	2013/09/12			product family		PwrBlade+	rel level		Released	
surface	✓	appr	Pei-Ming Zheng	2013/09/12	product family		PwrBlade+	rel level		Released			
ASME Y14.5	linear	0.X	±0.5		title		8HP+20S		dwg no 10106126-8005002	rev A			
		0.XX	±0.25		RA STB RECEPTACLE		cat. no.				Product - Customer Drw		sheet 1 of 3
	angular	0°	±2°		www.fci.com		PDS: Rev :A				STATUS:Released		Printed: Sep 13, 2013



10106126-8005002LF

DCBA

CODE	DESCRIPTION
E	STD SIGNAL CONTACT, ROW A
F	STD SIGNAL CONTACT, ROW B
G	STD SIGNAL CONTACT, ROW C
H	STD SIGNAL CONTACT, ROW D
H1	MFBL HIGH POWER CONTACT(3.43)
HA	METAL HOLD DOWN



Copyright FCI.

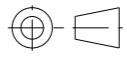
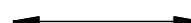
dr	Xie Bob	2013/08/29	projection	MM	size	A3	scale	3:2
eng	Xie Bob	2013/09/12			ecn no			
chr	Li-He	2013/09/12			-			
appr	Pei-Ming Zheng	2013/09/12	product family	PwrBlade+	rel level		Released	
		title			8HP+20S		rev	
www.fci.com		cat. no.			Product - Customer Drw		sheet 2 of 3	
		RA STB RECEPTACLE			dwg no		10106126-8005002	
					rev		A	

NOTES:

- 1) "FCI", PART NUMBER AND DATE CODE TO BE MARKED ON THIS SURFACE.
THE MARK CAN BE OMITTED IF THERE IS NOT ENOUGH SPACE ON THIS SURFACE.
- 2) MATERIALS:
-HOUSING - GLASS FILLED WITH HIGH TEMP THERMOPLASTIC, UL94V-0.
-SIGNAL CONTACT - COPPER ALLOY.
-POWER CONTACT - HIGH CONDUCTIVITY COPPER ALLOY.
- 3) PLATING SPECIFICATION REFER TO FCI 10116351
- 4) DENOTES CONNECTOR KEEP OUT ZONE.
- 5) DATUM AND BASIC DIMENIONS WERE ESTABLISHED BY CUSTOMER.
- 6) ALL HOLE DIAMETERS ARE FINISHED HOLE SIZES.
- 7) 1.15 ± 0.025 MM DRILLED HOLE PLATED WITH 0.00762MM MIN Sn
OVER 0.0254-0.0762MM Cu PLATING TO ACHIEVE A 1.02 ± 0.07 MM HOLE.
- 8) PRODUCT SPECIFICATION REFER TO FCI GS-12-658.
APPLICATION SPECIFICATION REFER TO FCI GS-20-141.
PRODUCT PACKAGED IN TRAYS, REFER TO FCI GS-14-1502.
- 9) THE VOID CORING IN BETWEEN POWER MODULES, SIGNAL
MODULES AND END MODULES ARE OPTIONAL AND THE SHAPE
MAY BE DIFFERENT FOR OPTIMIZE THE MOLDING PROCESS. THE
VOID CORING WILL NOT EFFECT TO PRODUCT FUNCTION.



Copyright FCI.

dr	Xie Bob	2013/08/29	projection 	MM 	size	A3	scale	3:2	
eng	Xie Bob	2013/09/12			ecn no	-			
chr	Li-He	2013/09/12			product family	PwrBlade+	rel level	Released	
appr	Pei-Ming Zheng	2013/09/12			title	8HP+20S		rev	
					RA STB RECEPTACLE	dwg no	10106126-8005002		A
www.fci.com			cat. no.	Product - Customer Drw			sheet 3 of 3		