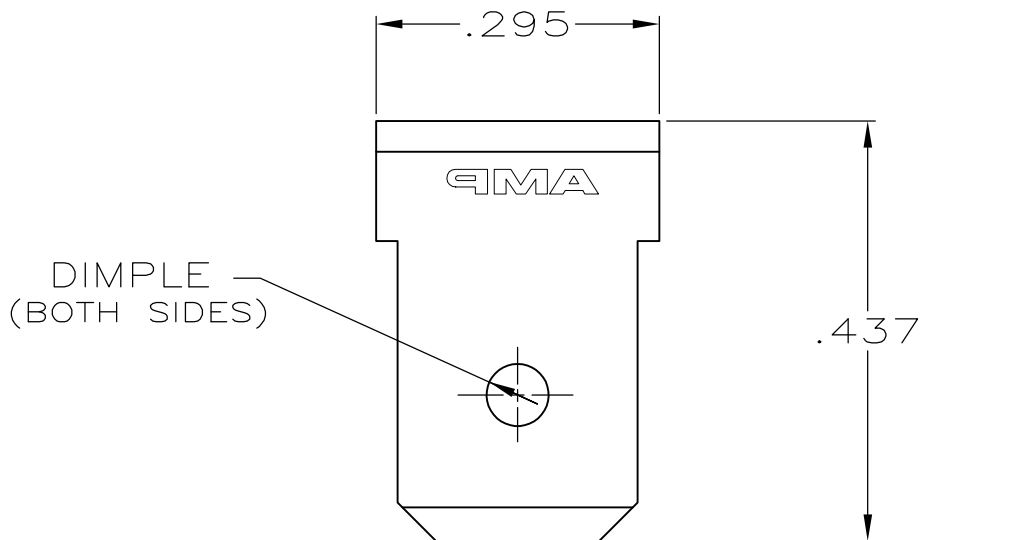
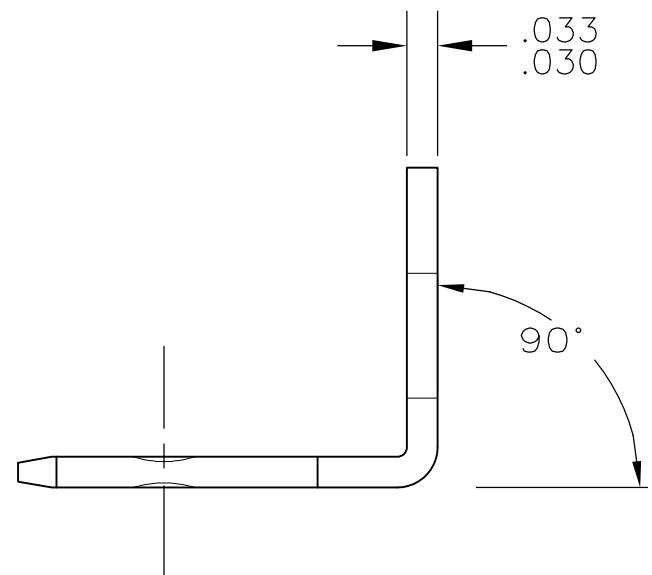
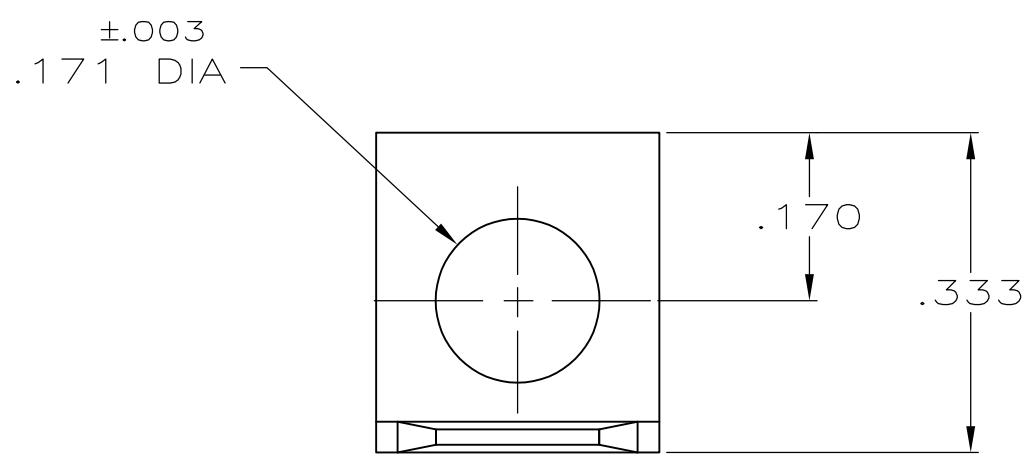


THIS DRAWING IS UNPUBLISHED. RELEASED FOR PUBLICATION
 © COPYRIGHT - By - ALL RIGHTS RESERVED.


LOC	DIST	REVISIONS			
P	LTR	DESCRIPTION	DATE	DWN	APVD
AF	50	F1	REVISED PER ECO-11-005027	12MAR11	RK HMR



1 SUPPLIED IN LOOSE PIECE.



TIN	42214-2
-	42214-1
FINISH	PART NO

THIS DRAWING IS A CONTROLLED DOCUMENT.		DWN	JR RUTH	3/8/95	 TE Connectivity													
DIMENSIONS: INCHES		CHK	MS FEHER	3/8/95				NAME										
TOLERANCES UNLESS OTHERWISE SPECIFIED:		APVD	P DESANTIS	3/8/95				TAB, FASTON, .250 SERIES										
<table border="1"> <tr> <td>0 PLC</td> <td>± -</td> </tr> <tr> <td>1 PLC</td> <td>± -</td> </tr> <tr> <td>2 PLC</td> <td>± -</td> </tr> <tr> <td>3 PLC</td> <td>± .015</td> </tr> <tr> <td>4 PLC</td> <td>± -</td> </tr> <tr> <td>ANGLES</td> <td>± -</td> </tr> </table>		0 PLC	± -	1 PLC				± -	2 PLC	± -	3 PLC	± .015	4 PLC	± -	ANGLES	± -	PRODUCT SPEC	
0 PLC	± -																	
1 PLC	± -																	
2 PLC	± -																	
3 PLC	± .015																	
4 PLC	± -																	
ANGLES	± -																	
MATERIAL: 082 BRASS		FINISH: SEE TABLE		WEIGHT: -		SIZE: A3	CAGE CODE: 00779	DRAWING NO: C-42214	RESTRICTED TO: -									
CUSTOMER DRAWING				SCALE: 5:1	SHEET: 1 OF 1	REV: F1												