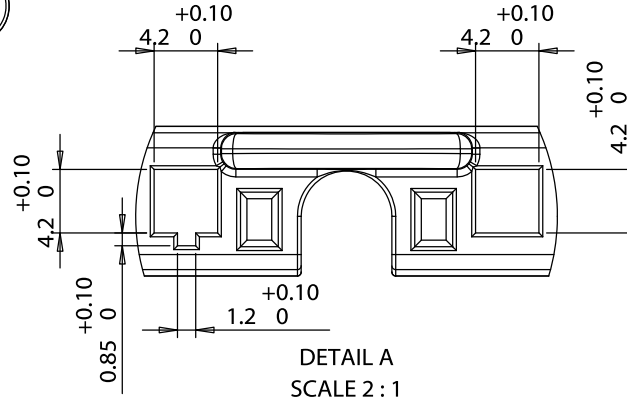
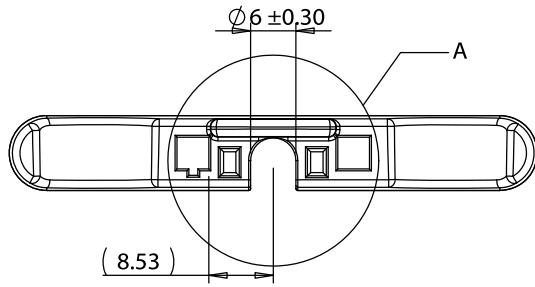
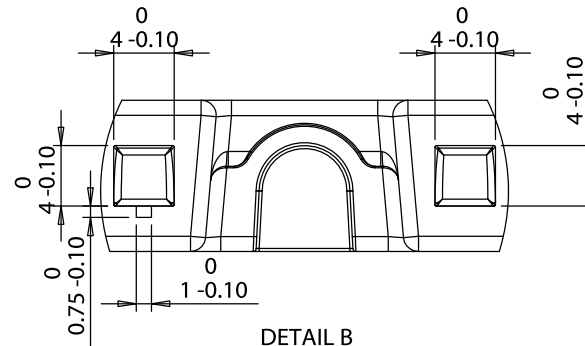
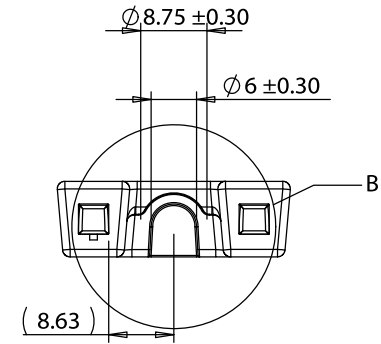


Notes:
Packaged individually in PE bag

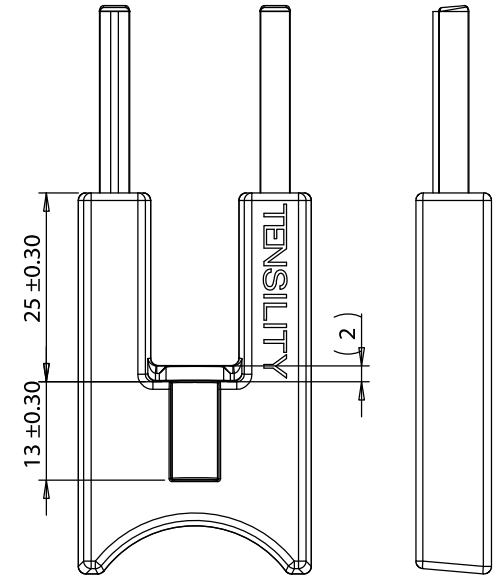
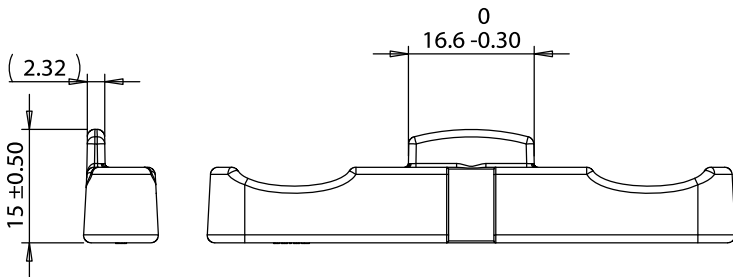
Revision:	Date:	Description:	Prepared:	Notes:	<p>Dimensions are in millimeters. Tolerances: X: ± 0.5 mm X.X: ± 0.3 mm X.XX: ± 0.05 mm</p>	<p>Scale: 1:1</p>	<p>Sheet 1 of 2</p>
A	4/9/2018	Initial release	<p>AW</p> <p>Digitally signed by AW Date: 2018.04.18 12:28:19 -0700</p> <p>Verified: JP</p> <p>Digitally signed by JP Date: 2018.04.18 12:28:19 -0700</p>	<p>RoHS compliant</p> <p>Description: Tool assembly connector, max connector OD 5.5 mm, ABS</p>			



DETAIL A
SCALE 2 : 1



DETAIL B
SCALE 2 : 1



Notes:
Packaged individually in PE bag

Revision:	Date:	Description:	Prepared: AW <small>Digitally signed by AW Date: 2018.04.18 12:50:34 -07'00'</small>	Notes:	TENSILITY tel 1.541.323.3228 800 877.670.7118 fax 1.541.323.4202 web tensility.com
A	4/9/2018	Initial release	Verified: JP <small>Digitally signed by JP Date: 2018.04.18 12:50:34 -07'00'</small>	RoHS compliant	
			Dimensions are in millimeters. Tolerances: X: ± 0.5 mm X.X: ± 0.3 mm X.XX: ± 0.05 mm	Description: Tool, assembly connector, max connector OD 5.5 mm, ABS	Size: A
					Part number: 55-00096
					Scale: 1:1
					Sheet 2 of 2

5

4

3

2

1