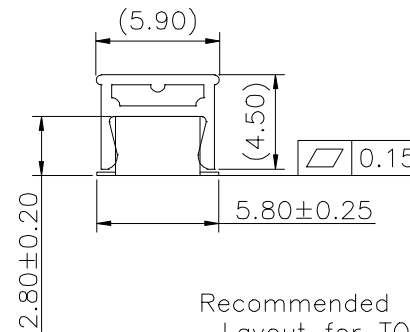
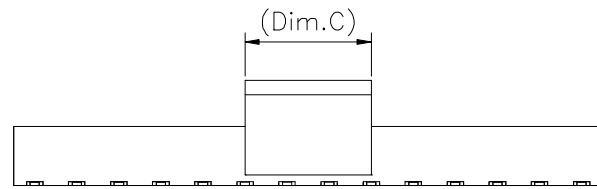
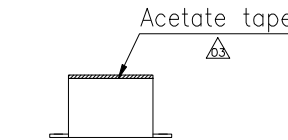
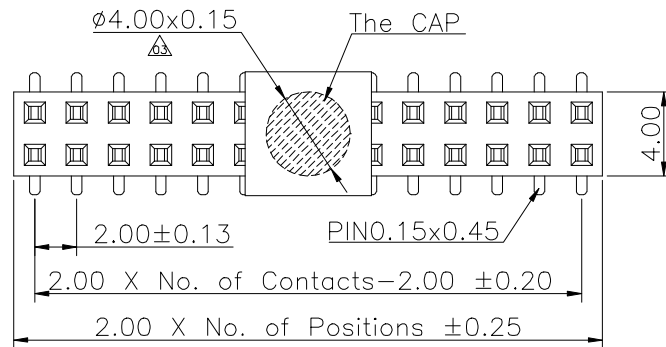


| REV. | LOCAS. | DESCRIPTION | DATE | DRAWN |
|------|--------|-------------------|------------|-------|
| 02 | △ | 變更圖號 | 2011.04.29 | 龍華明 |
| 03 | △ | 為改善貼膠紙效率，變更膠紙配方 | 2013.01.30 | 邱明周 |
| 04 | △ | 依業務要求，新增下插式LAYOUT | 2015.02.03 | 邱國強 |
| 05 | △ | Added Cap | 2022.05.05 | 郭康 |

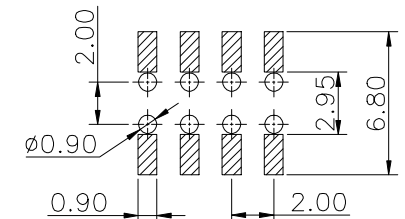
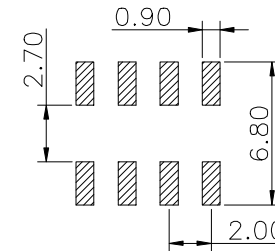
| Dim.C | NOTE |
|--------|-----------|
| 4.00mm | 02pins |
| 6.00mm | 03~35pins |

Specifications
 Current Rating:2.0Amp
 Insulation Resistance:1000MΩMin.
 Dielectric Withstanding Voltage:500VAC
 Contact Resistance:20mΩMax.
 Operating Temperature:-40°C to +105°C
 Materials
 Contact Material:Phosphor Bronze
 Insulator Material:High Temperature Thermoplastic, UL 94V-0 Nylon 6T (Halogen Free) or the equivalent material
 All materials must meet Greenconn hazardous substances control standards.



Recommended P.C.Board
 Layout for TOP entry
 (Tolerance:±0.05)

Recommended P.C.Board
 Layout for BOTTOM entry
 △ (Tolerance:±0.05)



Ordering Information

C SFC205 - XX XX A 001 R 1 A X

No. of Pins per Row 02~35
 Standard Plating 02=Gold Flash
 Selective Plating 01=Tin
 05=Gold Flash/Tin

Color 1=Black

Standard Packing C=Tube
 Selective Packing A=Box
 E=CAP+Tube
 F=CAP+Tape&Reel
 G=Acetate Tape+Tube
 H=Acetate Tape+Tape&Reel



3RD.ANG
 PROJ.

 PAGE. 1/1

| GENERAL TOLERANCE | |
|-------------------|-------------|
| X: ±5.0° | X: ±0.30 |
| .X: ±3.0° | .X: ±0.25 |
| .XX: ±2.0° | .XX: ±0.15 |
| .XXX: ±1.0° | .XXX: ±0.10 |

DESIGNED: 郭康
 CHECKED: 張春進
 APPROVED: 邱國強

DATE: 2022.05.05
 DATE: 2022.05.05
 DATE: 2022.05.05

DWG. NO. △ CSFC205-CA1RA
 PART NO. CSFC205-XXXX A001R1AX

TITLE.
 2.00 FEMALE HEADER
 DUAL ROWS SMT TYPE
 BASE 2.80H