

GlobTek, Inc. www.globtek.com 186 Veterans Drive, Northvale, NJ 07647 Tel. (201) 784-1000 Fax (201) 784-0111	Drawing Title: Female Barrel 5.5 * 2.1 barrel w/thumbcrew; molded equiv to Switchcraft® 767KS12, 767KS15, and 767K to 15MM STRIP, 6MM TIN, GT Cable #1185 #18 1c+Shield: 18 / 1+C Conductors, 3.5 +/-0.15 mmmm OD, UL STYLE 1185, 80 Deg.C, 300V, Shield 56 Strands 0.12mm2, Approvals: , 2000mm, GlobTek Black	
	Model No.	
	Part No./Ordering No. CLW11852M0TT(R)	Rev B

CUSTOMIZED LENGTHS, COLORS, CABLE TYPES, TERMINATIONS/PLUGS/RECEPTACLES AVAILABLE UPON REQUEST. ADDITIONAL PLUG OPTIONS ARE AVAILABLE AT <https://www.globtek.com/connectors/> STANDARD PLUGS AND CONNECTORS CAN BE SEEN ONLINE AT <https://www.globtek.com/connectors/> ACTUAL CONNECTORS, OVERMOLDS, FERRITES MAY VARY SLIGHTLY FROM THE PICTURE BELOW DIMENSIONS ARE IN MM UNLESS SPECIFIED OTHERWISE

In Addition to GlobTek Inc.'s renewed ISO9001:2008 - Quality Management System Certification, GlobTek Inc. is now certified to:

ISO13485:2003 - Medical Devices Quality Management System Certification
ISO14001:2004 - Environmental Management System Certification

ISO Certificates are available online at <https://www.globtek.com/iso-certificates/>
Prop 65 Statement: <https://en.globtek.com/prop-65-statement.pdf>

The acceptance of this specification and use of the product described in this document indicates the acceptance and binding of the customer to Globtek TERMS AND CONDITIONS (attached to the end of this document), which supersede all other agreements, terms, and conditions (<https://en.globtek.com/terms-and-conditions/>).

The purchaser of this product (Customer) agrees that it is their sole responsibility to determine suitability/fitness of the product described in this specification for their application and to take precautions for protection against any hazards attendant to the handling and use of the product.

Footnote:

GlobTek Inc. will not be liable for the safety and performance of these power supplies if unauthorized access and repair occurs. End user should consult applicable UL, CSA or EN standards for proper installation instruction.

Limitation of Use:

GlobTek products are intended for use with commercial, medical, and/or industrial equipment only. GlobTek product are not authorized for use as mission critical components in life support hazardous environment, nuclear or aircraft applications without prior written approval from the CEO of GlobTek Inc.
Contents of this document are subject to change without prior notice.

Customer Approval of Specification:

Please approve, sign and send back to GlobTek so we can complete order processing.
A delay in receipt of this form will delay delivery schedule.

Company Name: _____	Customer P/N: _____
Quote Number: _____	Date: _____
Authorized Representative Name: _____	Authorized Representative Signature: _____

GlobTek, Inc. www.globtek.com 186 Veterans Drive, Northvale, NJ 07647 Tel. (201) 784-1000 Fax (201) 784-0111	Drawing Title: Female Barrel 5.5 * 2.1 barrel w/thumbcrew; molded equiv to Switchcraft® 767KS12, 767KS15, and 767K to 15MM STRIP, 6MM TIN, GT Cable #1185 #18 1c+Shield: 18 / 1+C Conductors, 3.5 +/-0.15 mmmm OD, UL STYLE 1185, 80 Deg.C, 300V, Shield 56 Strands 0.12mm2, Approvals: , 2000mm, GlobTek Black	
	Model No.	Part No./Ordering No. CLW11852M0TT(R)
		Rev B

CUSTOMIZED LENGTHS, COLORS, CABLE TYPES, TERMINATIONS/PLUGS/RECEPTACLES AVAILABLE UPON REQUEST. ADDITIONAL PLUG OPTIONS ARE AVAILABLE AT <https://www.globtek.com/connectors/> STANDARD PLUGS AND CONNECTORS CAN BE SEEN ONLINE AT <https://www.globtek.com/connectors/> ACTUAL CONNECTORS, OVERMOLDS, FERRITES MAY VARY SLIGHTLY FROM THE PICTURE BELOW DIMENSIONS ARE IN MM UNLESS SPECIFIED OTHERWISE

REVISION HISTORY

REV	DESCRIPTION	SUB	DATE	APPROVED
B	Update spec with description and cable drawing	QA	12/19/2018	QA
A	INITIAL RELEASE	DR	09/26/2018	QA

Cordset Information:

CordsetColor:GlobTek Black

Cord Length (mm):2000

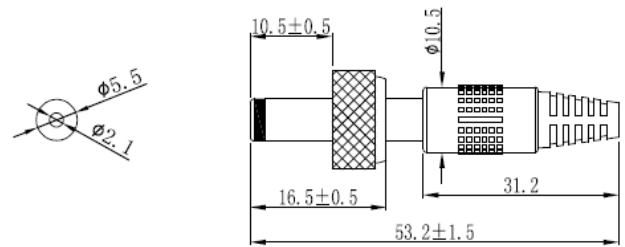
NOTES:

Internal code: OSP-431-18352318 (R) / 431-18352318 (R)

<p>GlobTek, Inc. www.globtek.com 186 Veterans Drive, Northvale, NJ 07647 Tel. (201) 784-1000 Fax (201) 784-0111</p>	<p>Drawing Title: Female Barrel 5.5 * 2.1 barrel w/thumbscrew; molded equiv to Switchcraft® 767KS12, 767KS15, and 767K to 15MM STRIP, 6MM TIN, GT Cable #1185 #18 1c+Shield: 18 / 1+C Conductors, 3.5 +/-0.15 mmmm OD, UL STYLE 1185, 80 Deg.C, 300V, Shield 56 Strands 0.12mm2, Approvals: , 2000mm, GlobTek Black</p>
	<p>Model No.</p> <p>Part No./Ordering No. CLW11852M0TT(R)</p> <p style="text-align: right;">Rev B</p>

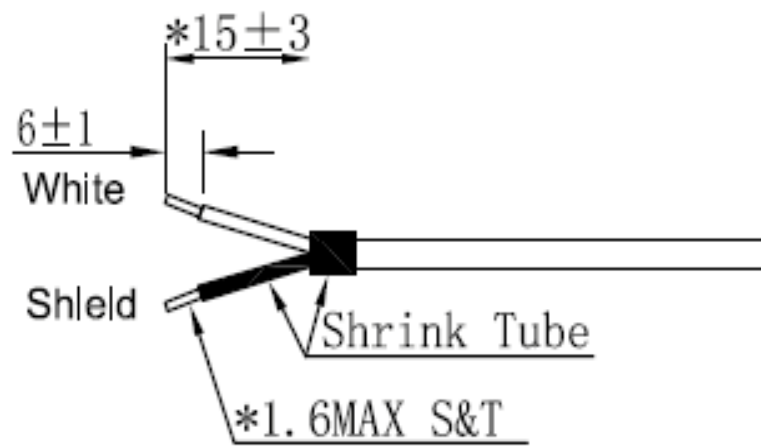
CUSTOMIZED LENGTHS, COLORS, CABLE TYPES, TERMINATIONS/PLUGS/RECEPTACLES AVAILABLE UPON REQUEST. ADDITIONAL PLUG OPTIONS ARE AVAILABLE AT <https://www.globtek.com/connectors/> STANDARD PLUGS AND CONNECTORS CAN BE SEEN ONLINE AT <https://www.globtek.com/connectors/> ACTUAL CONNECTORS, OVERMOLDS, FERRITES MAY VARY SLIGHTLY FROM THE PICTURE BELOW DIMENSIONS ARE IN MM UNLESS SPECIFIED OTHERWISE

END A



Mates with: L722AS, PCL722AS, PCL722AS

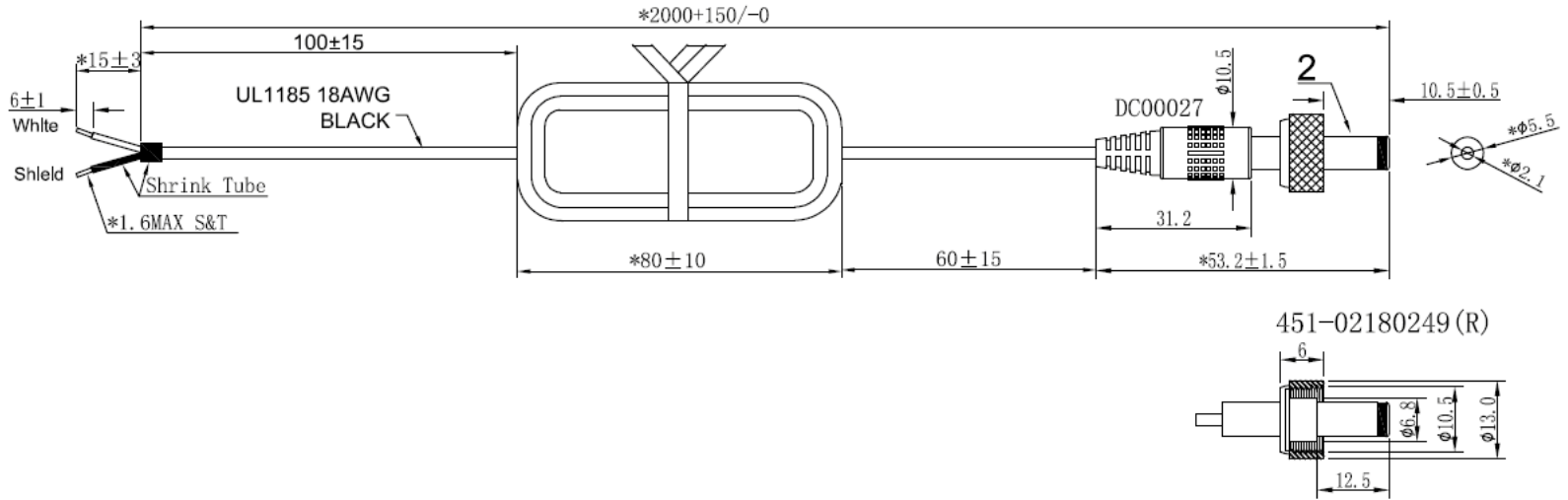
END B



GlobTek, Inc. www.globtek.com 186 Veterans Drive, Northvale, NJ 07647 Tel. (201) 784-1000 Fax (201) 784-0111	Drawing Title: Female Barrel 5.5 * 2.1 barrel w/thumbscrew; molded equiv to Switchcraft® 767KS12, 767KS15, and 767K to 15MM STRIP, 6MM TIN, GT Cable #1185 #18 1c+Shield: 18 / 1+C Conductors, 3.5 +/-0.15 mmmm OD, UL STYLE 1185, 80 Deg.C, 300V, Shield 56 Strands 0.12mm2, Approvals: , 2000mm, GlobTek Black
	Model No. Part No./Ordering No. CLW11852M0TT(R)
	Rev B

CUSTOMIZED LENGTHS, COLORS, CABLE TYPES, TERMINATIONS/PLUGS/RECEPTACLES AVAILABLE UPON REQUEST. ADDITIONAL PLUG OPTIONS ARE AVAILABLE AT <https://www.globtek.com/connectors/> STANDARD PLUGS AND CONNECTORS CAN BE SEEN ONLINE AT <https://www.globtek.com/connectors/> ACTUAL CONNECTORS, OVERMOLDS, FERRITES MAY VARY SLIGHTLY FROM THE PICTURE BELOW DIMENSIONS ARE IN MM UNLESS SPECIFIED OTHERWISE

CABLE IMAGE



451-02180249 (R)

GloBtek, Inc. www.globtek.com 186 Veterans Drive, Northvale, NJ 07647 Tel. (201) 784-1000 Fax (201) 784-0111	Drawing Title: Female Barrel 5.5 * 2.1 barrel w/thumb screw; molded equiv to Switchcraft® 767KS12, 767KS15, and 767K to 15MM STRIP, 6MM TIN, GT Cable #1185 #18 1c+Shield: 18 / 1+C Conductors, 3.5 +/-0.15 mmmm OD, UL STYLE 1185, 80 Deg.C, 300V, Shield 56 Strands 0.12mm2, Approvals: , 2000mm, GlobTek Black	
	Model No.	Rev B
Part No./Ordering No. CLW11852M0TT(R)		

CUSTOMIZED LENGTHS, COLORS, CABLE TYPES, TERMINATIONS/PLUGS/RECEPTACLES AVAILABLE UPON REQUEST. ADDITIONAL PLUG OPTIONS ARE AVAILABLE AT <https://www.globtek.com/connectors/> STANDARD PLUGS AND CONNECTORS CAN BE SEEN ONLINE AT <https://www.globtek.com/connectors/> ACTUAL CONNECTORS, OVERMOLDS, FERRITES MAY VARY SLIGHTLY FROM THE PICTURE BELOW DIMENSIONS ARE IN MM UNLESS SPECIFIED OTHERWISE

End A Code:CLW Description:Female Barrel 5.5 * 2.1 barrel w/thumb screw; molded equiv to Switchcraft® 767KS12, 767KS15, and 767K Rating (V):50 Rating (A):10.0 Gender:Female Overmolded:Yes	Cable Code:1185 #18 1c+Shield Description:GT Cable #1185 #18 1c+Shield: 18 / 1+C Conductors, 3.5 +/-0.15 mmmm OD, UL STYLE 1185, 80 Deg.C, 300V, Shield 56 Strands 0.12mm2, Approvals: Color:GlobTek Black Wire Gauge(AWG):18 Cond:1+C Type:UL STYLE 1185 Temperature:80° C Amps: Volts:300 OD:3.5 +/-0.15 mm ConductorsColors:Shield 56 Strands 0.12mm2	End B Code:TT TERM 2C 1185 Description:15MM STRIP, 6MM TIN Rating (V): Rating (A): Gender:Male Overmolded:No
--	---	--

Overall cable rating:

Plug Approvals	Cable Approvals	Connector Approvals
----------------	-----------------	---------------------



UL for Power Cords

AGENCY ONLINE DOCUMENTS	http://en.globtek.com/cordsets/
RoHS/RoHS3 Declaration	https://www.globtek.com/pdf/rohs_cert/01t0c000008pj2jAAA
REACH Declaration	https://www.globtek.com/pdf/iso_certificates/REACH.pdf
Conflict Minerals Declaration	https://www.globtek.com/pdf/conflict-minerals.pdf
Prop 65 Statement	https://en.globtek.com/prop-65-statement.pdf
CE.UKCA.Cord	https://globtek.secure.force.com/spec/ec_decl_product_model_family_incl_cord?id=01t0c000008pj2j

IPXY rating is based on 3rd party testing and customers should check suitability and test system level IPXY rating before ordering.

GlobTek, Inc. www.globtek.com 186 Veterans Drive, Northvale, NJ 07647 Tel. (201) 784-1000 Fax (201) 784-0111	Drawing Title: Female Barrel 5.5 * 2.1 barrel w/thumbcrew; molded equiv to Switchcraft® 767KS12, 767KS15, and 767K to 15MM STRIP, 6MM TIN, GT Cable #1185 #18 1c+Shield: 18 / 1+C Conductors, 3.5 +/-0.15 mmmm OD, UL STYLE 1185, 80 Deg.C, 300V, Shield 56 Strands 0.12mm2, Approvals: , 2000mm, GlobTek Black	
	Model No.	Part No./Ordering No. CLW11852M0TT(R)
		Rev B

CUSTOMIZED LENGTHS, COLORS, CABLE TYPES, TERMINATIONS/PLUGS/RECEPTACLES AVAILABLE UPON REQUEST. ADDITIONAL PLUG OPTIONS ARE AVAILABLE AT <https://www.globtek.com/connectors/> STANDARD PLUGS AND CONNECTORS CAN BE SEEN ONLINE AT <https://www.globtek.com/connectors/> ACTUAL CONNECTORS, OVERMOLDS, FERRITES MAY VARY SLIGHTLY FROM THE PICTURE BELOW DIMENSIONS ARE IN MM UNLESS SPECIFIED OTHERWISE

Hanking:80MM hank
Description:80mm hank
Image:

Notes/Modifications/Customizations (notes in this section supersede the values shown in the standard spec):