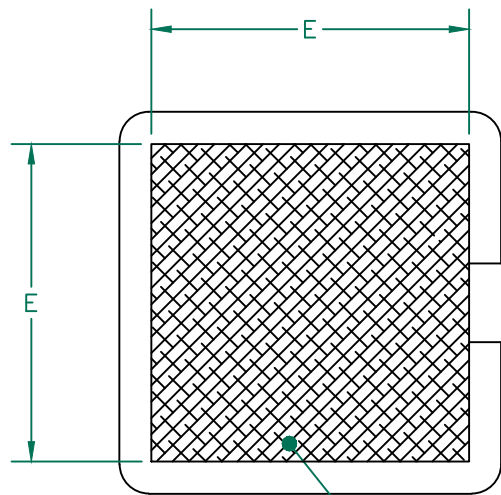


R 2.00 [.080]
4 PLCS

ADHESIVE
TAPE



PULLTAB FOR
ADHESIVE LINER

ADHESIVE TAPE

DIMENSIONS:

A	26.42 [1.040]	± 0.38 [.015]
B	26.42 [1.040]	± 0.38 [.015]
C	1.12 [.044]	± 0.15 [.006]
D	0.13 [.005]	TYP.
E	21.97 [.865]	TYP.

WEIGHT/1000 3.78 kgs [8.33 Lbs]

NOTES:

1. ADHESIVE: P/N 21254 TAPE.
2. REFERENCE 3M TAPE 468MP ADHESIVE TRANSFER TAPE OR ENGINEER APPROVED ALTERNATIVE.
3. COSMETIC SPECIFICATION REFER TO WI-QA-015.

DIMENSIONS ARE IN mm [INCHES].				This print is the property of Laird Tech. and is loaned in confidence subject to return upon request and with the understanding that no copies shall be made without the written consent of Laird Tech. All rights to design or invention are reserved.		Laird	
PROJECT/PART NUMBER:				REV	PART TYPE:	DRAWN BY:	
MP1040-500				A	FERRITE PLATE	Jcai	
DATE:				SCALE:	MATERIAL:		
10/18/13				2 : 1	Ferrite		
REV	DESCRIPTION	DATE	INT	TOOL #			
A	ORIGINAL DRAFT	10/18/13	Jcai	P1040			
				MP1040-500-A			