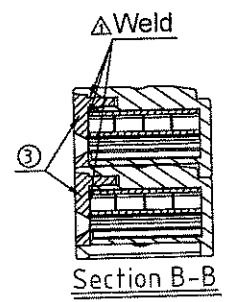
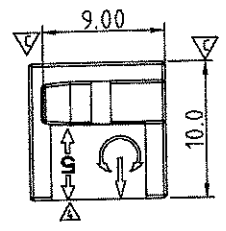


SIGN	DATE	DESCRIPTION	APPROVER
△	12/03'13	Update the drawing	Jacky
△	04/08'14	change the product number	Jacky
△	11/14'14	change the product description	Airy min
△	1/12'16	Add the safety certification icon and update drawing	Chenhao

THIS IS CAD DRAWING, DO NOT REVISE MANUALLY!!!



**Material**

- Item ① Terminal body: PA66 ( UL94V-0 )
- Item ② Terminal : PhBz, Tin plated.
- Item ③ Terminal cover : PA66 ( UL94V-0 ) White

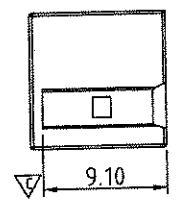
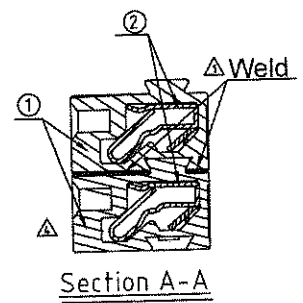
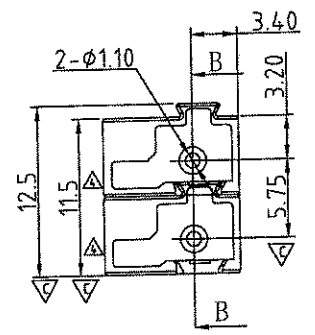
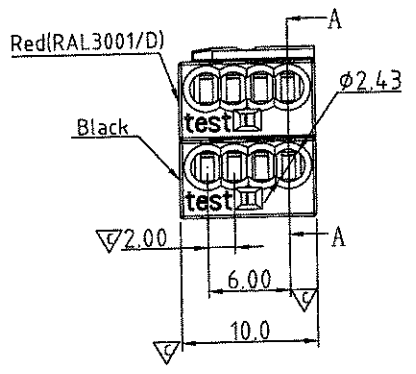
**Electrical**

- Voltage rating: 150V
- Current rating: 7A
- Wire range: Solid wire(AWG): 18-22
- Wire strip length: 5-6mm
- Withstanding Voltage: 1.3KV
- Operating temperature: -40°C to +115°C

cULus

- △ Safety approval:
- △ Staying power between the under bodysand the above body: 8kgf.cm
- △ Staying power between the body and the cover: 2.5kgf.cm

Critical dimension: ▽



ANYTEK				CUSTOMER COPY		
ALL RIGHTS RESERVED. REPRODUCTION OR ISSUE TO THIRD PARTIES IN ANY FORM WHATSOEVER IS NOT PERMITTED WITHOUT WRITTEN AUTHORITY FROM THE PROPRIETOR. PROPERTY OF ANYTEK TECHNOLOGY CO., LTD.						
TITLE	NS 5.75 series 2P stackable type(with hole)△					
PART NO.	NS0200C00010G/AG △	DWG NO.	8NS0006			
APPROVED	CHECKED	DESIGNED	DRAWN	CUST NO.	Tolerance	
		Chenhao	Chenhao		UNIT: mm	X. ±0.50
		2016.1.12	2016.1.12		SCALE: NONE	X.X ±0.30
					SHEET: 01/01	REV.: F
					X° ±1°	