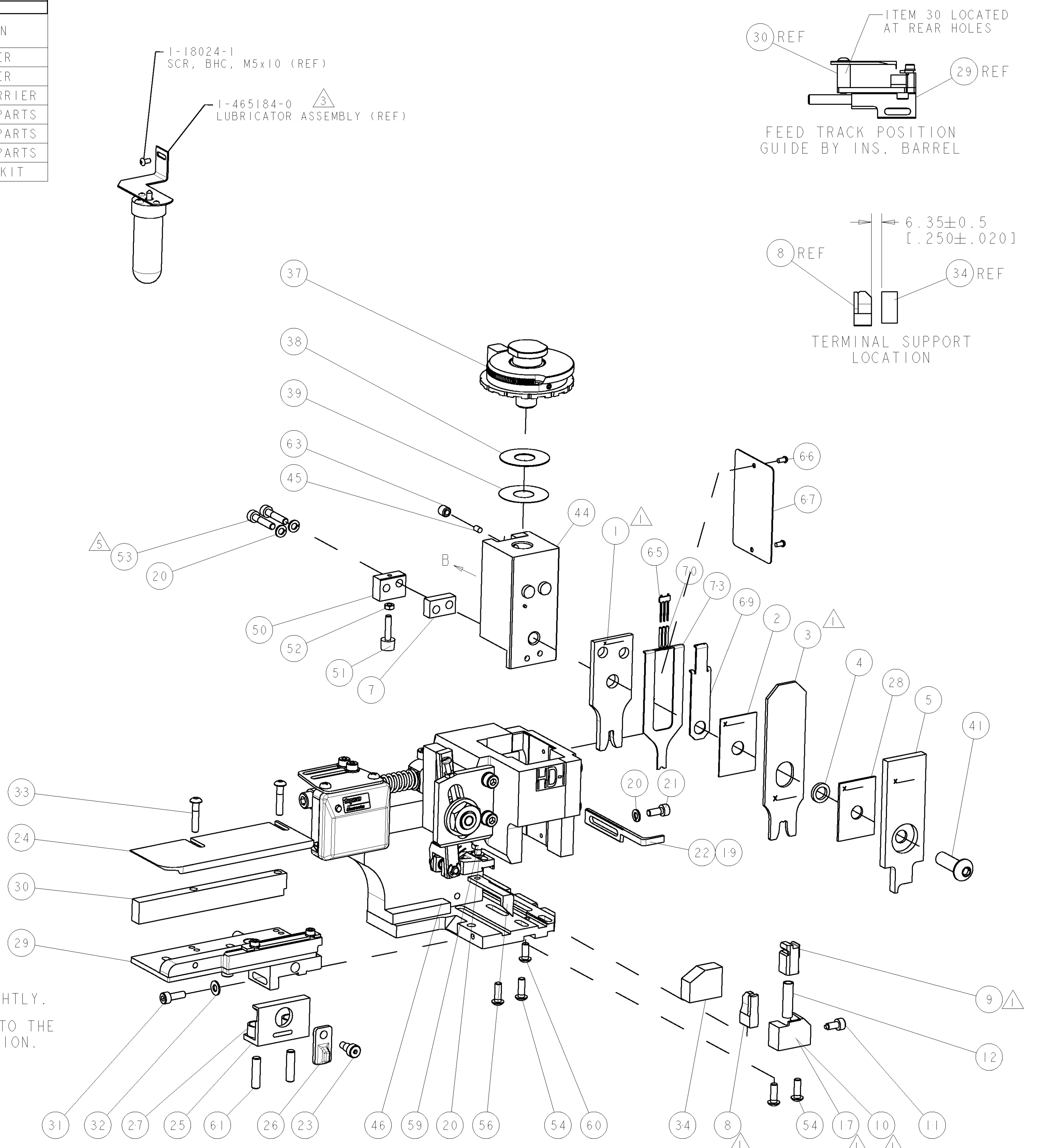
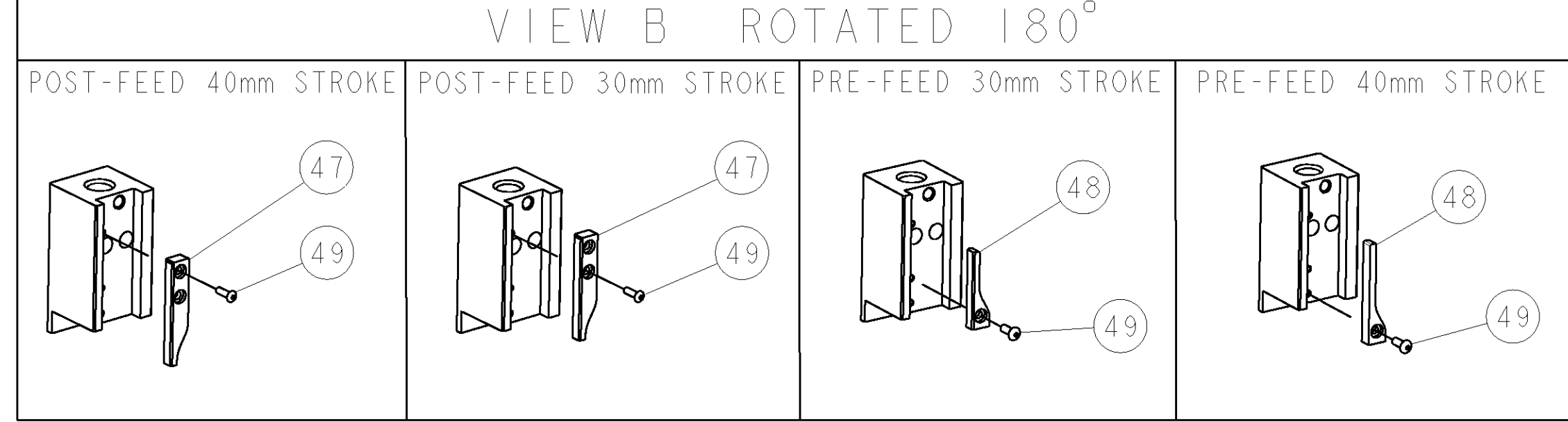


PART NUMBER	REV	TERMINATOR	FEED TYPE	DESCRIPTION
1528790-1	A	LEADMAKER	MECH POST FEED	CUTS CARRIER
1528790-2	A	BENCH	MECH PRE FEED	CUTS CARRIER
1528790-6	A	LEADMAKER	MECH POST FEED	CONTINUOUS CARRIER
7-1528790-1	A	LEADMAKER	MECH POST FEED	-1 AND SPARE PARTS
7-1528790-2	A	BENCH	MECH PRE FEED	-2 AND SPARE PARTS
7-1528790-6	A	LEADMAKER	MECH POST FEED	-6 AND SPARE PARTS
7-1528790-7	A	-	-	SPARE PARTS KIT

CRIMP DATA		TYCO TERMINAL	TYCO CRIMP SPECS
TERMINAL NAME: 5.16 TAB CONTACT			
CRIMP	SIZE	TYPE	RANGE
WIRE	3.05 [1.120 IN]	F	12 AWG-10 AWG
INSUL	5.59 [1.220 IN]	F	3.30-4.82 [1.130-.190 IN]
WIRE STRIP LENGTH 4.80-5.60 [1.189-.220 IN]		APPL INSTRUCTIONS 408-8322 & 408-8490	
TERMINAL APPL SPEC	114-3118	FEED	16.87 [1.664 IN]
TERMINALS APPLIED			
153303	-	-	-
-	-	-	-
-	-	-	-
-	-	-	-
-	-	-	-
WIRE SIZE	CRIMP HEIGHT	REF SETTING	
10 AWG	2.90 ± 0.05 [1.114 ± .002 IN]	A3	
12 AWG	2.31 ± 0.05 [1.091 ± .002 IN]	E5	

- △ RECOMMENDED SPARE PARTS.
- 2. GREASE RAM, CAM, CAM FOLLOWER AND FEED ROD LIGHTLY.
- △ CERTAIN TERMINALS REQUIRE LUBRICATION. REFER TO THE APPLICATOR INSTRUCTION SHEET FOR MORE INFORMATION.
- 4. LUBRICATE DAILY PER THE APPLICATOR INSTRUCTION SHEET SUPPLIED WITH THE APPLICATOR.
- △ ITEM 53, CUT TO LENGTH AT ASSEMBLY.

*** WARNING**
ON INSTALLATION, SET WIRE DISC TO LARGEST WIRE SIZE SETTING. USE OF SETTINGS BELOW MIN. REQUIRED CRIMP HEIGHT SETTING WILL CAUSE DAMAGE TO CRIMP TOOLING.



LOC	DIST	REV	DESCRIPTION	DATE	BY	APPD
A	66		SEE ECO-07-011671	17MAY2007	DP	MC

QTY	REV	DESCRIPTION	ITEM NO	
-	-	1490525-1	DEPRESSOR, WIRE	73
-	-	-	-	72
-	-	1338705-3	DOCUMENTATION PACKAGE	71
-	3	1-23147-4	SPRING, COMPRESSION	70
-	-	1490524-2	DEPRESSOR, SPACER	69
-	-	-	-	68
-	-	461264-5	PLATE, IDENTIFICATION	67
-	2	21017-2	SCREW, DRIVE	66
-	-	1424350-1	HOLDER, PIN, WIRED	65
-	-	-	-	64
-	-	3-18031-0	SCR, SET, CUP POINT M6 X 6.0	63
-	-	-	-	62
-	2	2-18032-5	SCR, SET, FLT POINT M5 X 20.0	61
-	-	18024-7	SCR, BTN SKT HD CAP (M4 X 10.0)	60
-	-	5-18022-2	SCR, HEX HD CAP M4 X 8.0	59
-	-	-	-	58
-	-	-	-	57
-	-	1338685-1	PAWL, FEED	56
-	-	-	-	55
-	4	18024-8	SCR, BTN SKT HD CAP (M4 X 12.0)	54
-	2	1-18023-4	SCR, SKT HD CAP M4 X 20.0	53
-	-	18030-1	NUT, HEX, REG M3	52
-	-	811242-5	BUMPER, HOLD DOWN	51
-	-	690753-2	SPACER, TONKER	50
-	-	18024-3	SCR, BTN SKT HD CAP (M3 X 10.0)	49
-	-	1338675-1	CAM, UNIVERSAL PRE FEED	48
-	-	1338676-1	CAM, UNIVERSAL POST-FEED	47
-	-	1320999-3	APPLICATOR SUBASSEMBLY, HDI	46
-	-	690191-1	PLUG, NYLON	45
-	-	1333257-1	RAM	44
-	-	-	-	43
-	-	-	-	42
-	-	2-18024-6	SCR, BTN SKT HD CAP (M8 X 25.0)	41
-	-	-	-	40
-	-	690125-1	SHIM SUB-ASSY	39
-	-	469367-9	SHIM	38
-	-	879103-2	FINE ADJUST HEAD ASSEMBLY	37
-	-	-	-	36
-	-	-	-	35
-	-	1320934-1	SUPPORT, TERMINAL	34
-	2	1-18024-0	SCR, BTN SKT HD CAP (M4 X 20.0)	33
-	-	18027-2	WASHER, FLAT, REG M4	32
-	-	1-18023-2	SCR, SKT HD CAP M4 X 12.0	31
-	-	1320908-3	SPACER, STRIP GUIDE	30
-	-	1633073-1	STRIP GUIDE ASSEMBLY	29
-	-	1-455888-1	SPACER, CRIMPER	28
-	2	1-22284-0	SPRING, COMPRESSION	27
-	-	356835-1	LEVER, DRAG RELEASE	26
-	-	240792-1	DRAG, TERMINAL	25
-	-	1320928-3	PLATE, STRIP GUIDE	24
-	-	980371-4	SCR, SKT HD SHLDR 5.0 DIA X 6.0	23
-	-	690472-2	STRIPPER	22
-	-	1-18023-1	SCR, SKT HD CAP M4 X 10.0	21
-	4	18025-2	WASHER, SPRG LOCK, REG M4	20
-	-	690472-1	STRIPPER	19
-	-	-	-	18
-	-	1338684-1	SHEAR HOLDER, FRONT	17
-	-	-	-	16
-	-	-	-	15
-	-	-	-	14
-	-	-	-	13
-	-	3-22280-3	SPRING, COMPRESSION	12
-	-	356885-4	STOP, SHEAR	11
-	-	1320921-1	SHEAR HOLDER, FRONT, CUT	10
-	-	454276-1	FLOATING SHEAR, FRONT	9
-	1	1633135-7	ANVIL, COMBINATION .120	8
-	-	2-240641-5	SPACER	7
-	-	-	-	6
-	-	3-455889-8	DEPRESSOR, SHEAR	5
-	-	2-238011-2	BLOCK, CRIMPER SPACER	4
-	1	5-1633471-0	CRIMPER, INSULATION F	3
-	-	455888-5	SPACER, CRIMPER	2
-	1	3-456409-0	CRIMPER, WIRE .120 "F" PREMIUM	1

QTY	REV	DESCRIPTION	ITEM NO						
-	-	-	84						
-	-	-	83						
-	-	-	82						
-	-	-	81						
-	-	-	80						
-	-	-	79						
-	-	-	78						
-	-	-	77						
-	-	-	76						
-	-	-	75						
-	-	-	74						
QTY	REV	DESCRIPTION	ITEM NO						
-77	-76	-72	-71	-6	-2	-1	PART NO	DESCRIPTION	ITEM NO

DIMENSIONS: mm [IN]	TOLERANCES UNLESS OTHERWISE SPECIFIED: 0 PLC ± 1 PLC ± 2 PLC ± 3 PLC ± 4 PLC ± ANGLES ±	DWN: 23APR2007 ENH: APVD: M. CLIFFORD PRODUCT SPEC: APPLICATION SPEC: See Table WEIGHT: MATERIAL: FINISH:	tyco Tyco Electronics Harrisburg, PA 17105-3608 FINE ADJUST SIDE FEED HDI APPLICATOR SIZE: 00779 CAGE CODE: C-1528790 SCALE: 3:5 SHEET: 1 OF 1 REV: A
------------------------	---	---	---