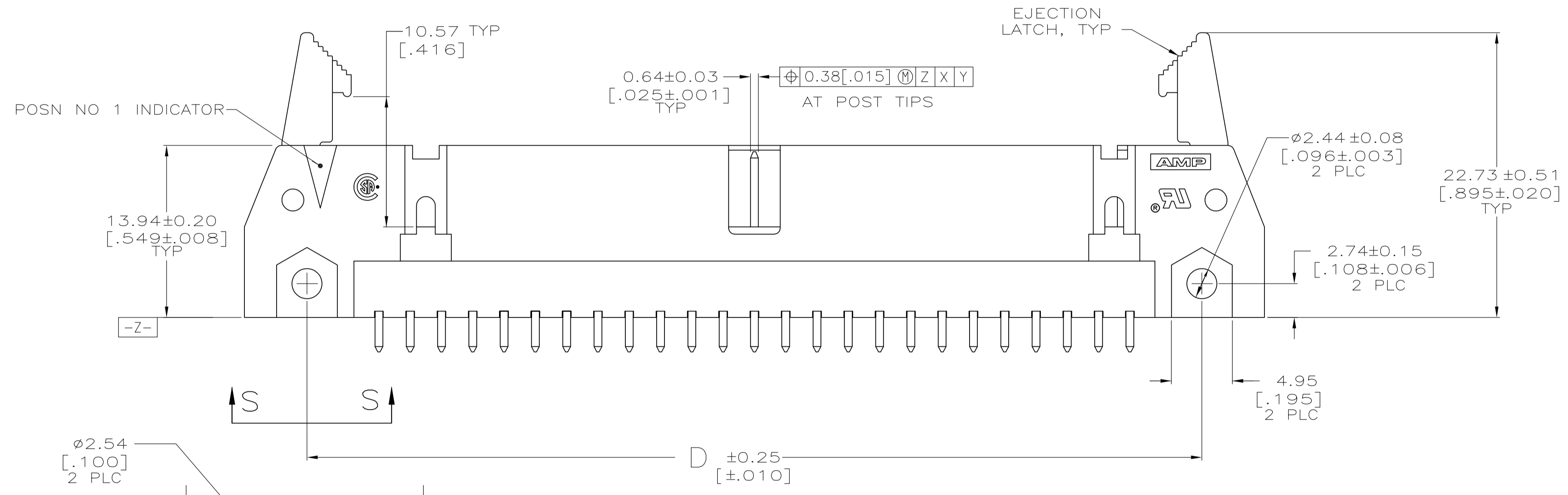
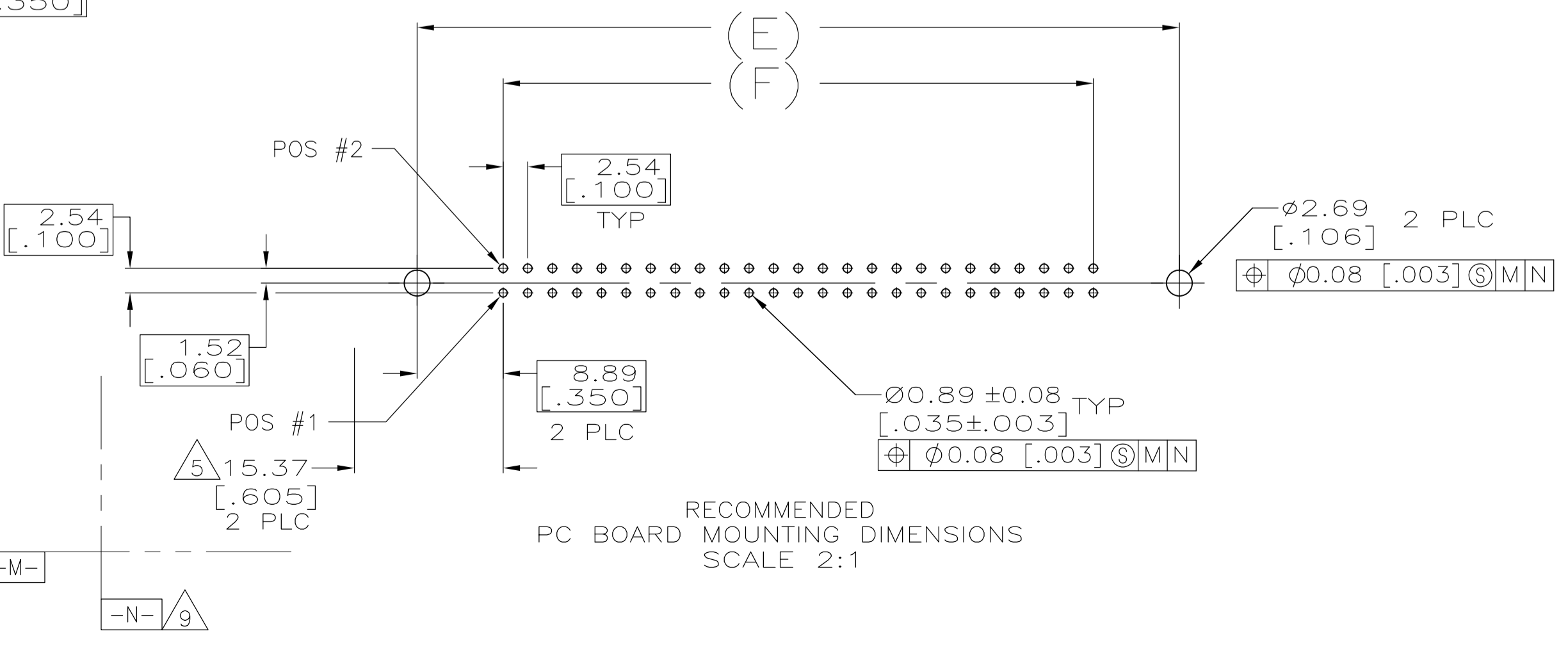


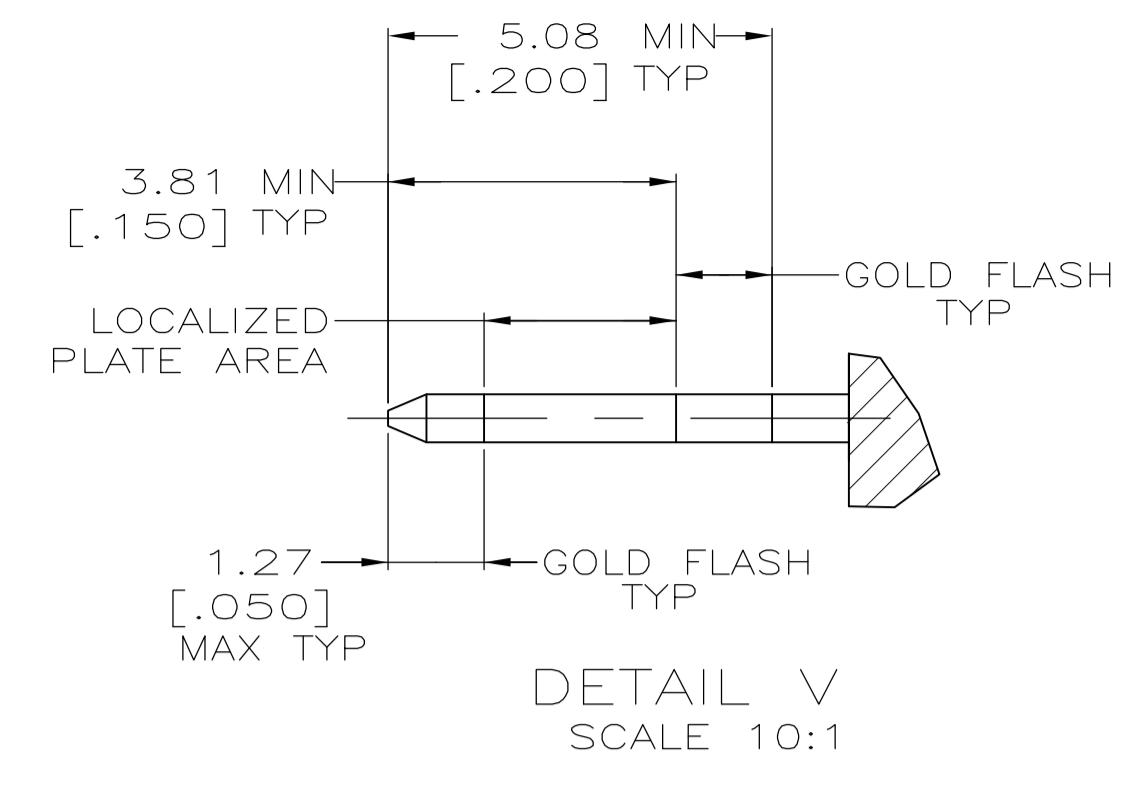
EJECTION LATCHES OMITTED IN THIS VIEW FOR CLARITY



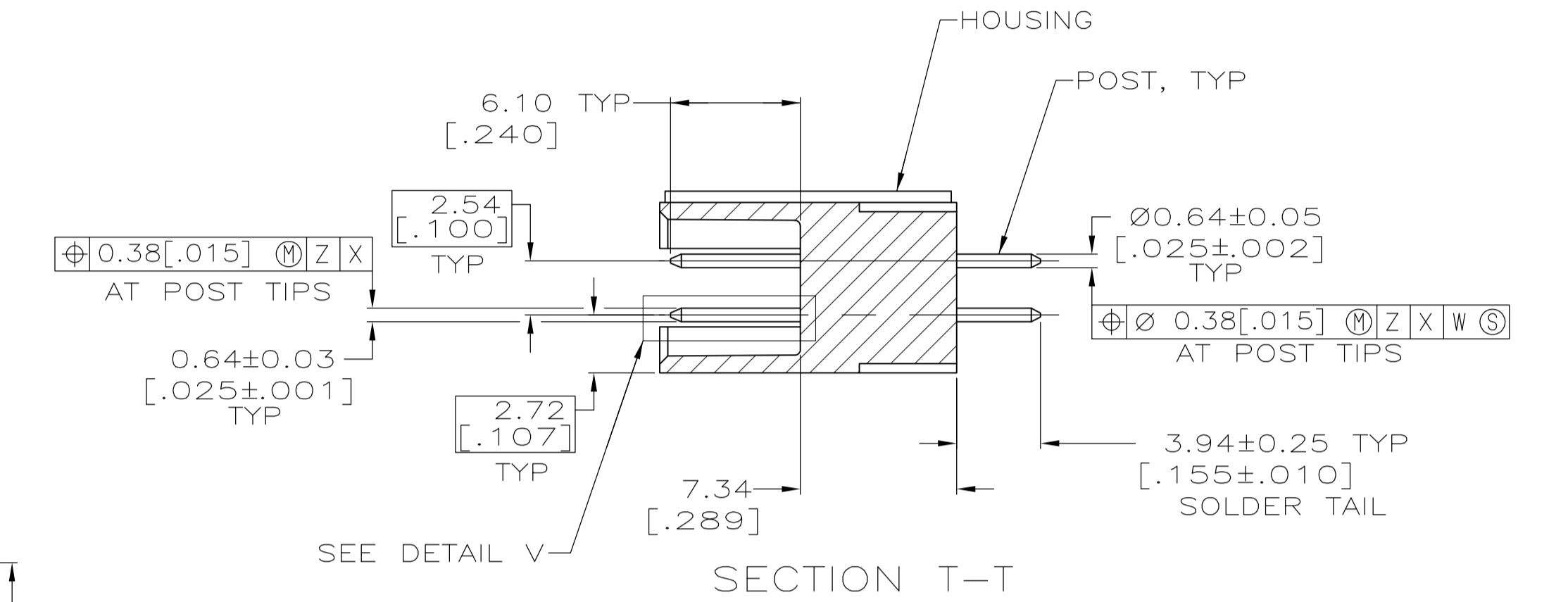
VIEW S-S



RECOMMENDED PC BOARD MOUNTING DIMENSIONS SCALE 2:1



DETAIL V SCALE 10:1



SECTION T-T

- 1 COORDINATE DIMENSION APPLIES FROM BASIC LOCATION.
- 2 10 POSITION SIZE CONTAINS ONLY ONE SLOT FOR SNAP-IN POLARIZER (MILITARY POLARIZATION) LOCATED AS SHOWN.
- 3 10 POSITION SIZE CONTAINS ONLY ONE SLOT FOR DUAL POLARIZATION, LOCATED AS SHOWN.
- 4 RECOMMENDED PRINTED CIRCUIT BOARD THICKNESS IS 3.18 [.125].
- 5 DISTANCE REQUIRED BY EJECTION LATCHES IN THE OPEN POSITION.
- 6 MOLDED PARTS: GLASS FILLED NYLON OR POLYESTER, 94V-0 RATED; BLACK. POSTS: PHOSPHOR BRONZE OR BRASS.
- 7 POSTS: GOLD FLASH OVER PALLADIUM-NICKEL PLATE, 0.38µm [.000015] MIN TOTAL ON THE LOCALIZED PLATE AREA, 2.54µm [.000100] MIN TIN PLATE ON THE SOLDER-TAILS, 1.27µm [.000050] MIN NICKEL UNDERPLATE ON THE ENTIRE POST. -OR- 0.38µm [.000015] MIN GOLD PLATE ON THE LOCALIZED PLATE AREA, 2.54µm [.000100] MIN TIN PLATE ON THE SOLDER-TAILS, 1.27µm [.000050] MIN NICKEL UNDERPLATE ON THE ENTIRE POST.
- 8 DATUMS -M- & -N- TO BE ESTABLISHED BY CUSTOMER.

20	27.94 [1.100]	45.72 [1.800]	39.62 [1.560]	49.78 [1.960]	45.72 [1.800]	35.56 [1.400]	24	5678009-8
2	10.16 [.400]	27.94 [1.100]	21.84 [.860]	32.00 [1.260]	27.94 [1.100]	17.78 [.700]	10	5678009-7
5	40.64 [1.600]	58.42 [2.300]	52.32 [2.060]	62.48 [2.460]	58.42 [2.300]	48.26 [1.900]	34	5678009-6
25	60.96 [2.400]	78.74 [3.100]	72.64 [2.860]	82.80 [3.260]	78.74 [3.100]	68.58 [2.700]	50	5678009-5
8	48.26 [1.900]	66.04 [2.600]	59.94 [2.360]	70.10 [2.760]	66.04 [2.600]	55.88 [2.200]	40	5678009-4
19	22.86 [.900]	40.64 [1.600]	34.54 [1.360]	44.70 [1.760]	40.64 [1.600]	30.48 [1.200]	20	5678009-3
16	22.86 [.900]	40.64 [1.600]	34.54 [1.360]	44.70 [1.760]	40.64 [1.600]	30.48 [1.200]	20	5678009-2
10	10.16 [.400]	27.94 [1.100]	21.84 [.860]	32.00 [1.260]	27.94 [1.100]	17.78 [.700]	10	5678009-1
PIN NO OMITTED	F	E	D	C	B	A	NO OF POSN	PART NUMBER

THIS DRAWING IS A CONTROLLED DOCUMENT.

DIMENSIONS: mm (INCHES)	TOLERANCES UNLESS OTHERWISE SPECIFIED:	APPROVED: M. WALMSLEY	DATE: 01-12-05	NAME: M. WALMSLEY
0 PLC ± -	1 PLC ± -	2 PLC ± -	3 PLC ± 0.13 (.005)	4 PLC ± -
ANGLES ± -				
MATERIAL	FINISH	WEIGHT	SIZE	CAGE CODE
			A1	00779
CUSTOMER DRAWING		SCALE: 4:1	SHEET: 1 of 1	REV: B

THIS DRAWING IS A CONTROLLED DOCUMENT. BIN: L. VARELA - DOCKS 01-12-05. CHK: S. BOLASH 01-12-05. APVD: M. WALMSLEY 01-12-05. NAME: M. WALMSLEY. Tyco Electronics Corporation, Harrisburg, Pa 17105-3608. PRODUCT SPEC: 108-40018. APPLICATION SPEC: -. SIZE: A1. CAGE CODE: 00779. DRAWING NO: 5678009. RESTRICTED TO: -. CUSTOMER DRAWING. SCALE: 4:1. SHEET: 1 of 1. REV: B.