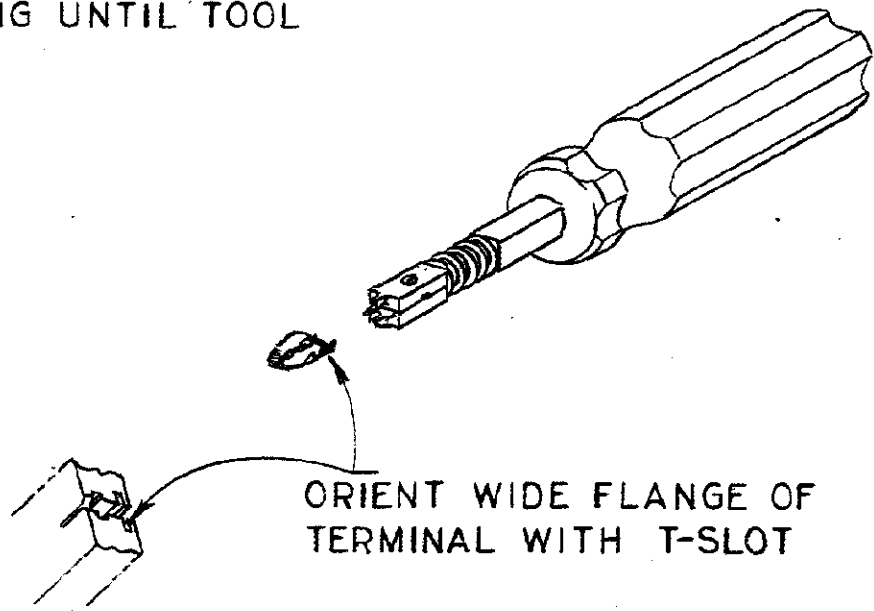


© COPYRIGHT 1977, 78 BY AMP INCORPORATED, HARRISBURG, PA. ALL INTERNATIONAL RIGHTS RESERVED. AMP INCORPORATED PRODUCTS COVERED BY U.S. AND FOREIGN PATENTS AND /OR PATENTS PENDING.

REVISIONS				
LTR	DESCRIPTION	DATE	APPROVED	P/F
A	REDRAWN (-2 SUPSDS. -1) <small>ECN R2392</small>	2-23-78	<i>[Signature]</i>	Y


TO USE TOOL:

1. INSERT TERMINAL BETWEEN JAW AND PIN.
2. PUSH TERMINAL INTO CAVITY IN STRAIGHT-LINE ACTION; CONTINUE PUSHING AFTER JAWS SEAT ON HOUSING UNTIL TOOL BOTTOMS.



ORIENT WIDE FLANGE OF TERMINAL WITH T-SLOT

TOOL NO.	TERMINAL NO.		CAVITY NO.
	STRIP	LOOSE PC.	
274290-2	62606	—	CP76-7040 (.065 INS. DEPTH)

UNLESS OTHERWISE SPECIFIED DIMENSIONS ARE IN INCHES. TOLERANCES ON: DECIMALS ± ANGLES ±	CONTRACT NO	 AMP INCORPORATED Harrisburg, Pa.	
	DR WD 9-30-77		
MATERIAL	CHK <i>[Signature]</i> 10-6-77	INSERTION TOOL	
FINISH	APPD		
	APPD	SIZE A	CODE IDENT NO 00779
	DSGN APPD	DRAWING NO 274290	
	OTHER APPD	SCALE	SHEET 1 of 1