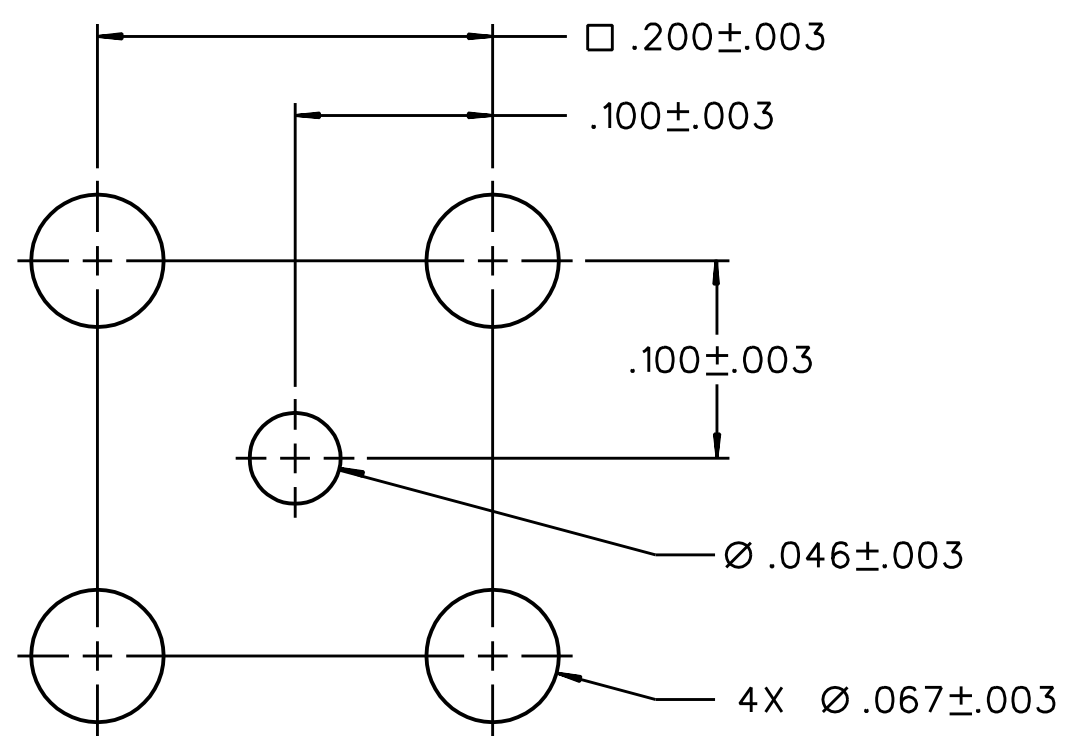
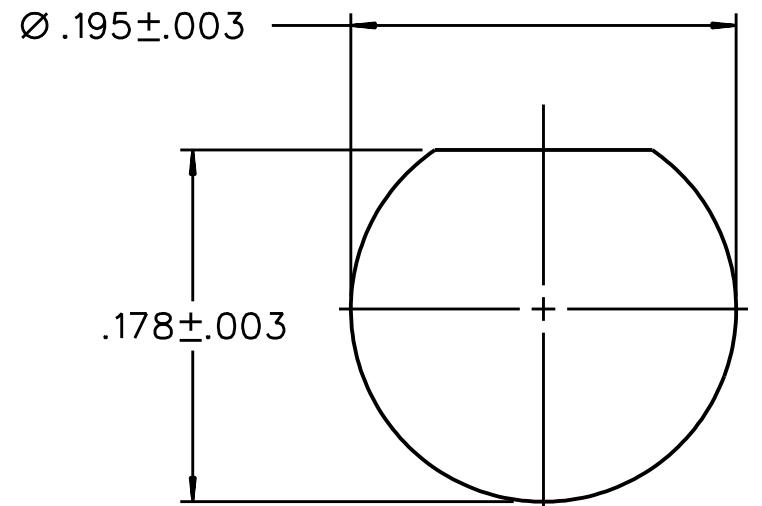


PART NUMBER	ITEM ① BODY	ITEM ② BASE	ITEM ③ CONTACT (ONE PIECE)	ITEM ④ BODY INSULATOR	ITEM ⑤ BASE INSULATOR	ITEM ⑥ WASHER	ITEM ⑦ NUT
131-6701-501	BRASS GOLD PL .00001 MIN OVER NICKEL PL .00005 MIN OVER COPPER PL .00005 MIN	BRASS GOLD PL .00001 MIN OVER NICKEL PL .00005 MIN OVER COPPER PL .00005 MIN	BRASS GOLD PL .00003 MIN OVER NICKEL PL .00005 MIN OVER COPPER PL .00005 MIN	TEFLON	TEFLON	PHOSPHOR BRONZE GOLD PL .00001 MIN OVER NICKEL PL .00005 MIN OVER COPPER PL .00005 MIN	BRASS GOLD PL .00001 MIN OVER NICKEL PL .00005 MIN OVER COPPER PL .00005 MIN
131-6701-502	BRASS GOLD PL .00001 MIN OVER NICKEL PL .00005 MIN OVER COPPER PL .00005 MIN	BRASS GOLD PL .00001 MIN OVER NICKEL PL .00005 MIN OVER COPPER PL .00005 MIN	BRASS GOLD PL .00003 MIN OVER NICKEL PL .00005 MIN OVER COPPER PL .00005 MIN	TEFLON	TEFLON		

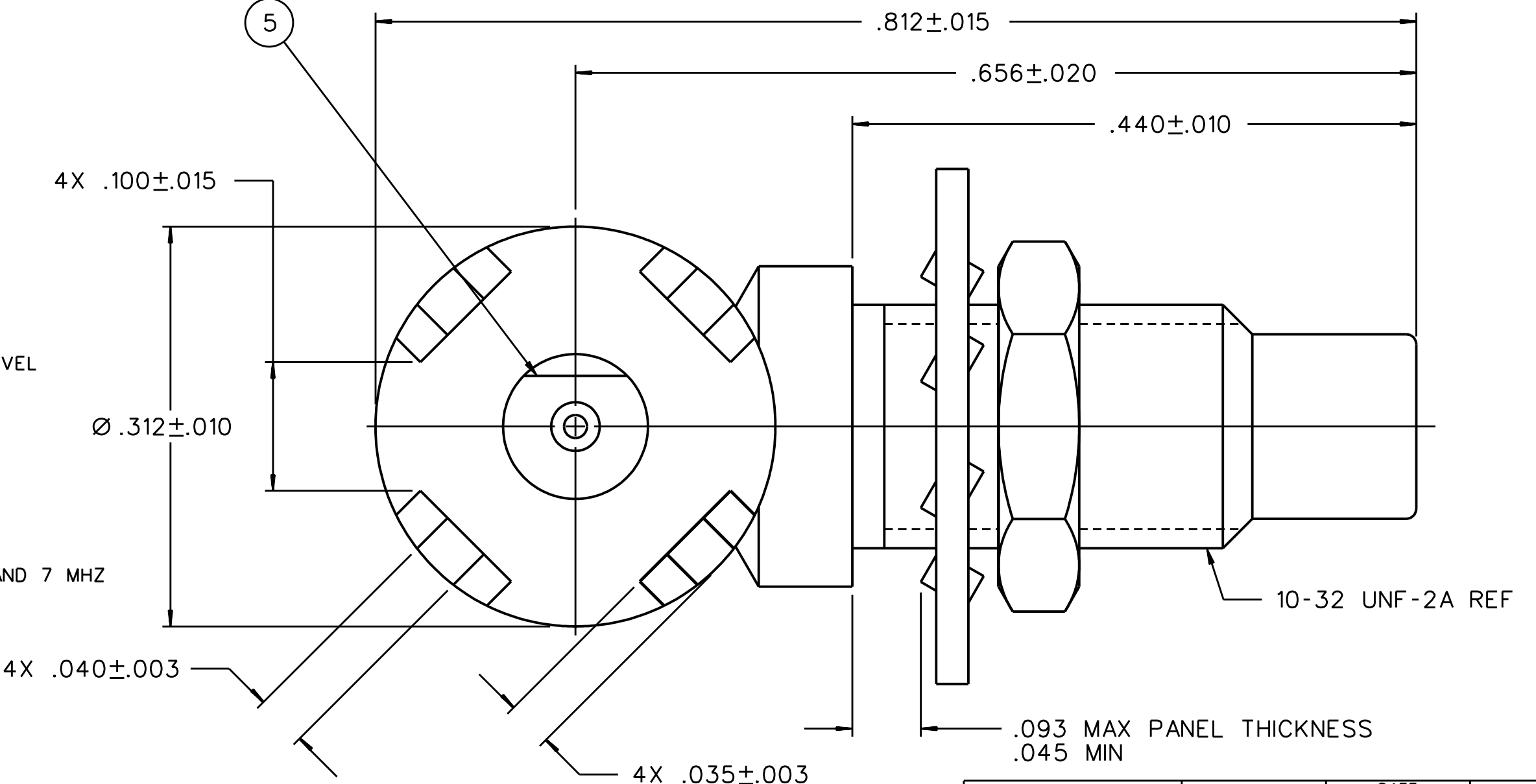
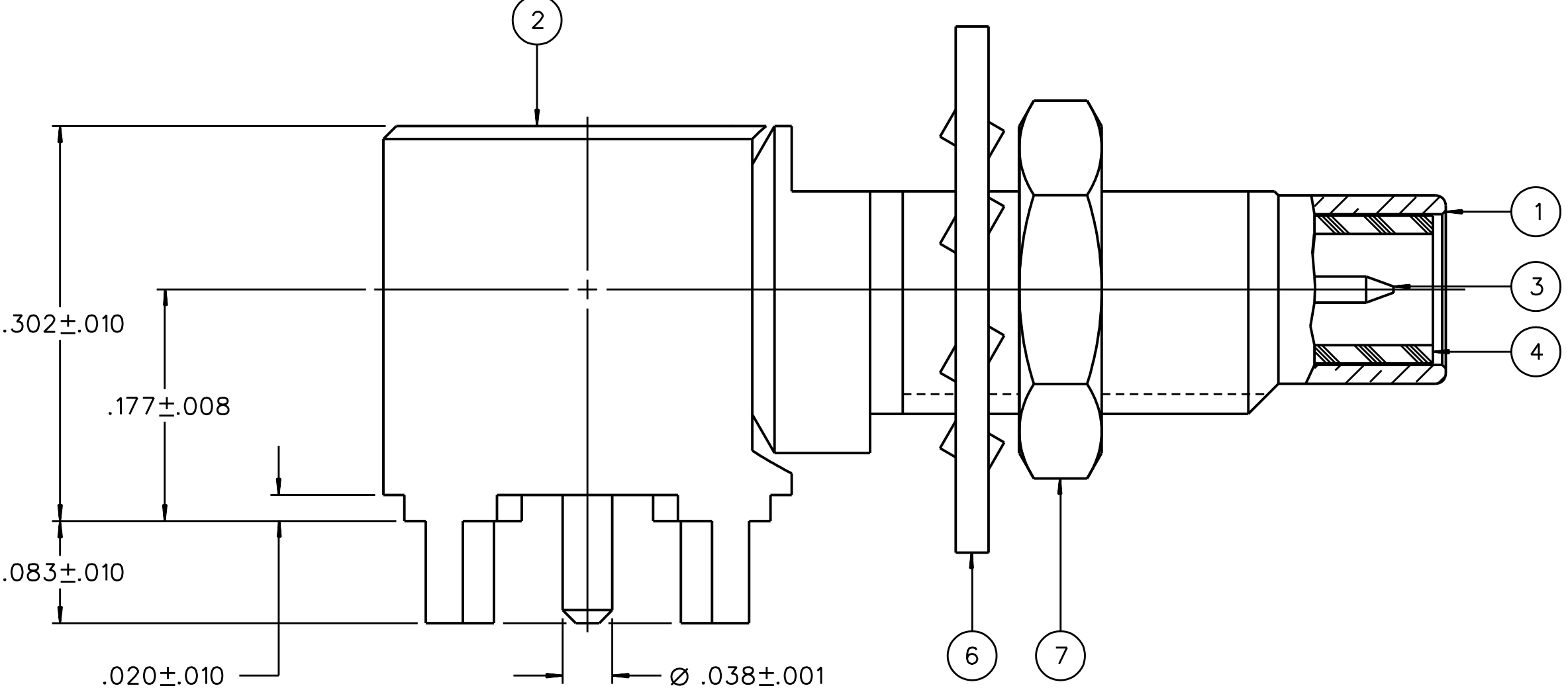
DRAWING NO. C - 131-6701-501/510	
0 REVISIONS	
ADDED: SHEET 2 OF 2	
2	4-2-91 MGR JFB 4-12-91 ECO 40319
CHANGED: RF HIGH POT 4 AND 7 MHZ WAS 5 MHZ	
3	9-2-92 RHL JBA 9-22-92 ECO 41184
ADDED: P/N 131-6701-502	
3a	11-20-96 RHL JBA ECN 44408
VERSION UPDATE	
3b	3-26-98 RHL JBA ECN 44921
UPDATED GRAPHICS ADDED: MATING INTERFACE NOTE ***** * REVISION NUMBER FOLLOWED BY AN ALPHA * * CHARACTER INDICATES DRAWING CLARIFI- * * CATION OR PART NUMBER ADDITION ONLY. * *****	
3c	9-12-02 RHL JBA ECN 47774



MOUNTING HOLE LAYOUT



MOUNTING HOLE



NOTES:

1. SPECIFICATIONS:

IMPEDANCE: 50 OHMS
 FREQUENCY RANGE: 0-10 GHz
 VSWR: NOT APPLICABLE
 WORKING VOLTAGE: 335 VRMS MAX AT SEA LEVEL
 DIELECTRIC WITHSTANDING VOLTAGE: 1000 VRMS MIN AT SEA LEVEL
 INSULATION RESISTANCE: 1000 MEGOHM MIN
 CONTACT RESISTANCE:
 CENTER CONTACT - INITIAL 6 MILLIOHM MAX, AFTER ENVIRONMENTAL 8 MILLIOHM MAX
 OUTER CONDUCTOR - INITIAL 1 MILLIOHM MAX, AFTER ENVIRONMENTAL NOT APPLICABLE
 BRAID TO BODY - NOT APPLICABLE
 CORONA LEVEL: NOT APPLICABLE
 INSERTION LOSS: NOT APPLICABLE
 RF LEAKAGE: NOT APPLICABLE
 RF HIGH POTENTIAL WITHSTANDING VOLTAGE: 600 VRMS AT 4 AND 7 MHZ

MECHANICAL:

MATING INTERFACE: PER MIL-STD-348, SMC SERIES
 ENGAGE/DISENGAGE TORQUE: 16 INCH-OUNCES MAX
 MATING TORQUE: 30-50 INCH-OUNCES
 COUPLING PROOF TORQUE: NOT APPLICABLE
 COUPLING NUT RETENSION: NOT APPLICABLE
 CONTACT RETENSION: 4 LBS MIN AXIAL FORCE
 CABLE ACCEPTABILITY: NOT APPLICABLE
 CABLE HEX CRIMP SIZE: NOT APPLICABLE
 CABLE RETENTION: NOT APPLICABLE
 DURABILITY: 500 CYCLES MIN

ENVIRONMENTAL:


(MEETS OR EXCEEDS THE APPLICABLE PARAGRAPH OF MIL-PRF-39012)
 THERMAL SHOCK: MIL-STD-202, METHOD 107, CONDITION B
 OPERATING TEMPERATURE: -65 DEG C TO 165 DEG C
 CORROSION: MIL-STD-202, METHOD 101, CONDITION B
 SHOCK: MIL-STD-202, METHOD 213, CONDITION C
 VIBRATION: MIL-STD-202, METHOD 204, CONDITION D

CUSTOMER DRAWING

THIS DRAWING TO BE INTERPRETED PER ASME Y 14.5M - 1994

"μSTATION"

COMPANY CONFIDENTIAL

TOLERANCE UNLESS OTHERWISE SPECIFIED	DRAWN BY M.G. ROOT (EJ)	DATE 4-2-91 (2-5-90)	 P.O. Box 1732 Waseca, MN 56093 1-800-247-8256
DECIMALS mm	CHECKED BY	DATE	
.XX			TITLE JACK ASSEMBLY RA PC MOUNT BULKHEAD SMC
.XXX	APPROVED BY	DATE	
MATL			SHEET DRAWING NO. 2 OF 2 C - 131-6701-501/510
FINISH	RELEASE DATE	9-22-92	
	U/M INCH	SCALE 10:1	