

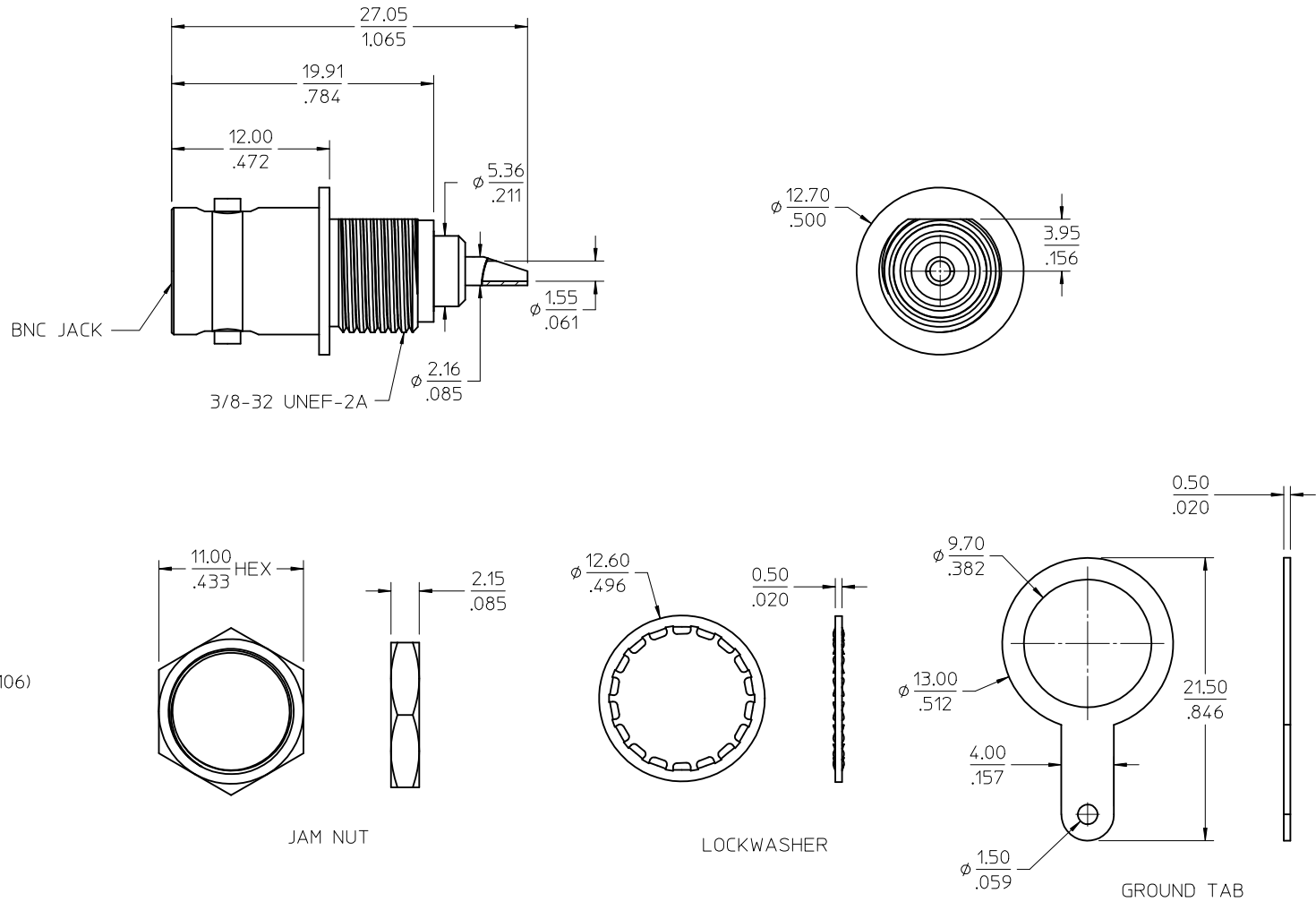
MATERIALS AND FINISHES

BODY, JAM NUT, GROUND TAB: BRASS
PLATED NICKEL

CONTACT: PHOSPHOR BRONZE
PLATED: GOLD

LOCKWASHER: PHOSPHOR BRONZE
PLATED NICKEL

INSULATOR: TEFLON



RECOMMENDED MOUNTING HOLE
MAXIMUM PANEL THICKNESS 2.7 (.106)

JAM NUT

LOCKWASHER

GROUND TAB

PART # 73119-5003

CHG: REDRAW IN SD
CORRECTED PANEL
CUTOUT DIMENSIONAL
ERRORS

EC. NO: URF2010-0309
DRAWN: JWIENER 2009/11/20
CHKD: SSHAH 2009/11/20
APPR: JWIENER 2009/11/20

QUALITY SYMBOLS
▽=0
▽=0

GENERAL TOLERANCES (UNLESS SPECIFIED)

	mm	INCH
4 PLACES	± .005	± .0005
3 PLACES	± .004	± .0004
2 PLACES	± .003	± .0003
1 PLACE	± .002	± .0002

ANGULAR ± 2°

DRAFT WHERE APPLICABLE
MUST REMAIN
WITHIN DIMENSIONS

DIMENSION STYLE
MM/IN

DRAWN BY IRIS WANG DATE 1991/01/18
CHECKED BY DATE
APPROVED BY DATE

MATERIAL NO. 731195003

SCALE DESIGN UNITS THIRD ANGLE PROJECTION

TITLE
BNC JACK RECEPTACLE
BULKHEAD 50 OHM

MOLEX INCORPORATED

DOCUMENT NO. SD-73119-5003 SHEET NO. 1 OF 1

THIS DRAWING CONTAINS INFORMATION THAT IS PROPRIETARY TO MOLEX INCORPORATED AND SHOULD NOT BE USED WITHOUT WRITTEN PERMISSION