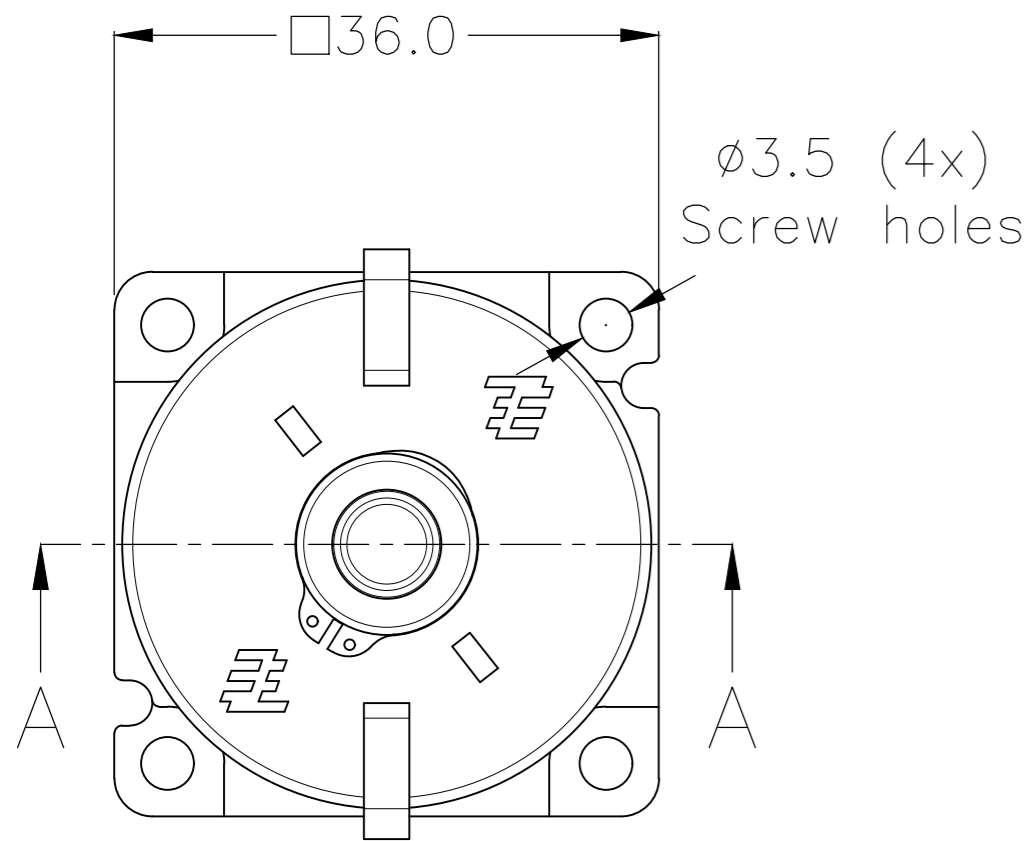
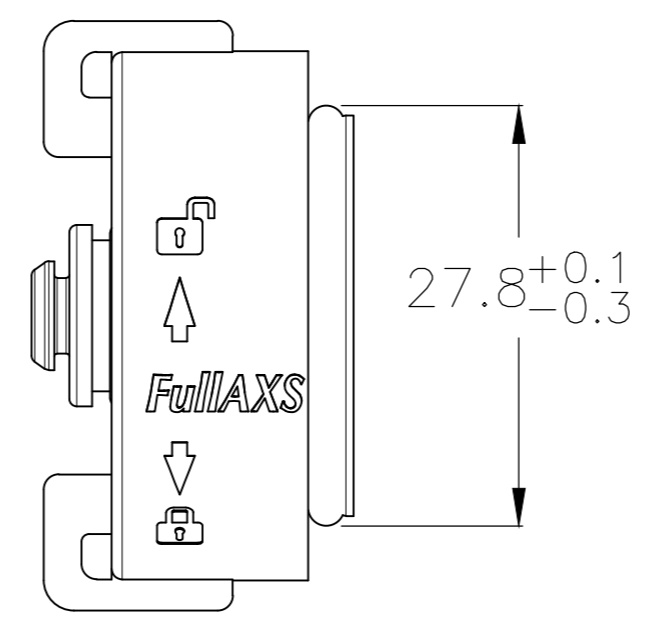
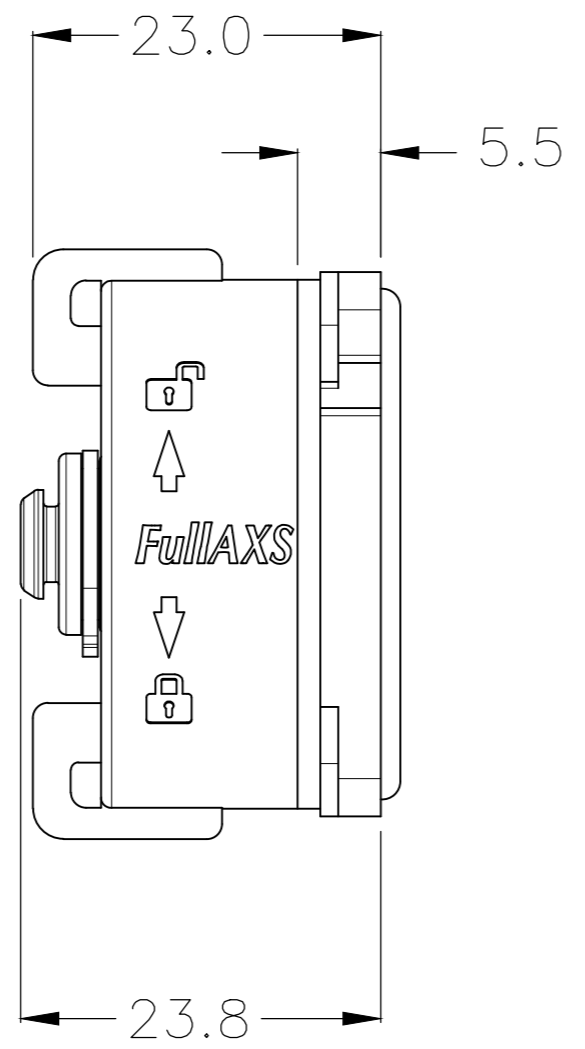


THIS DRAWING IS UNPUBLISHED. RELEASED FOR PUBLICATION  
 © COPYRIGHT - By - ALL RIGHTS RESERVED.

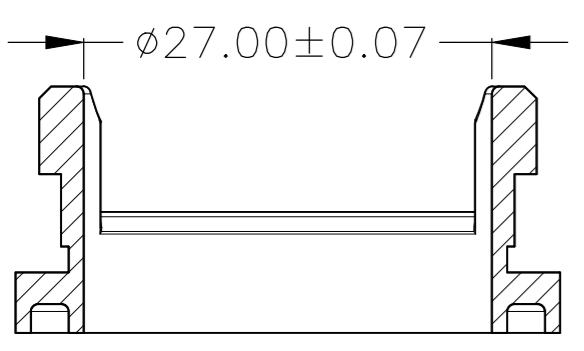
REVISIONS				
P	LTR	DESCRIPTION	DATE	APVD
C		ECR-17-014058	05FEB2018	HZ RS



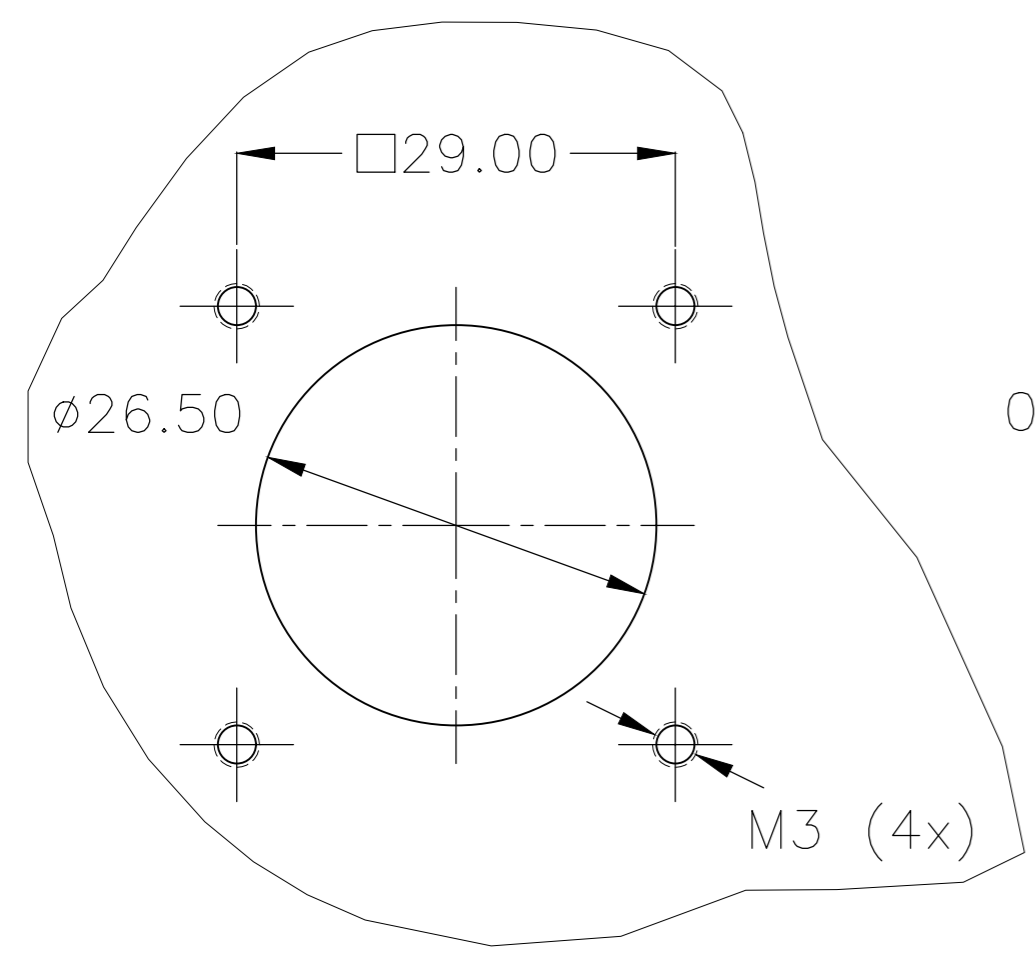
ASSEMBLED 2061433-1  
(cord not shown)



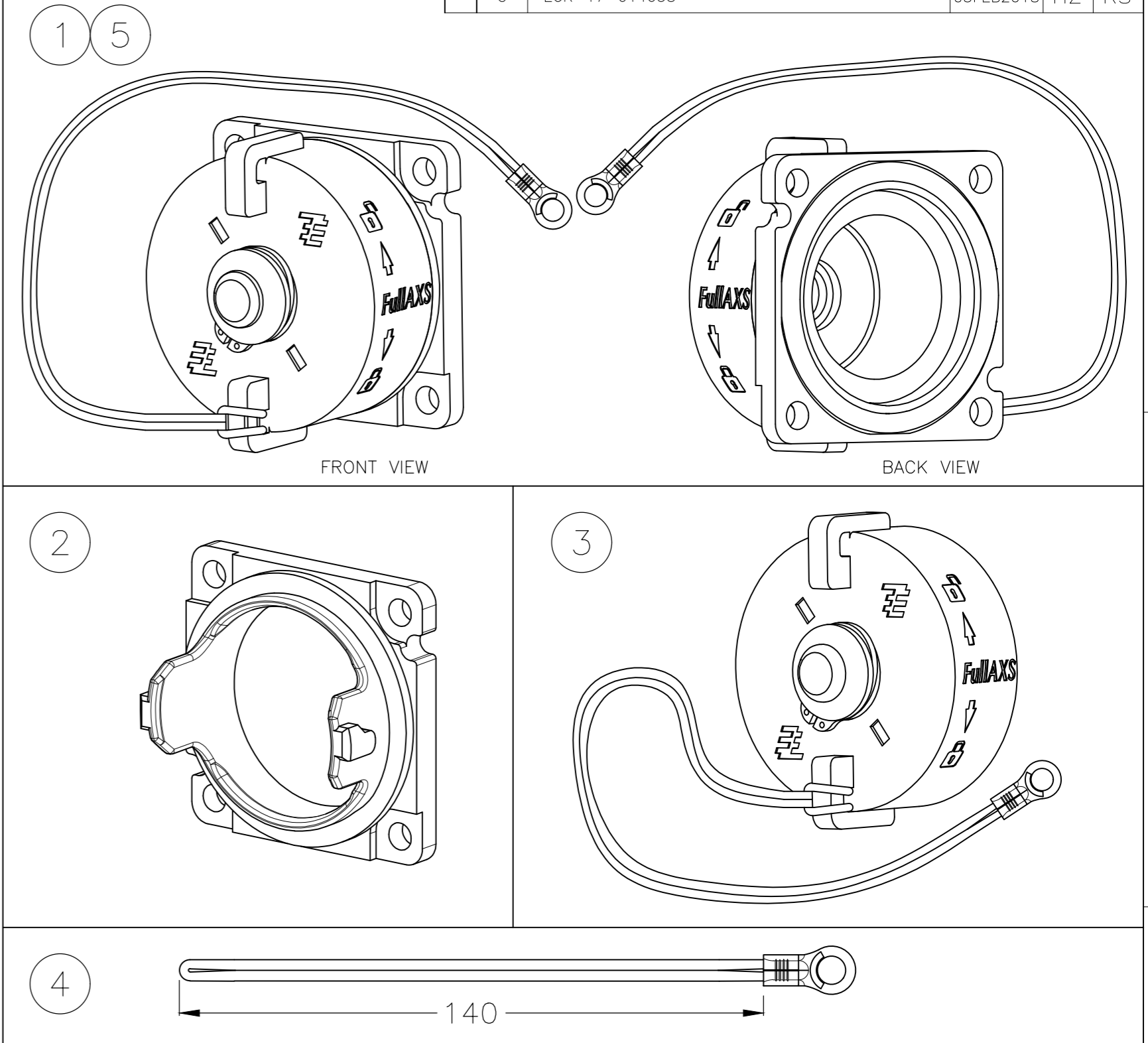
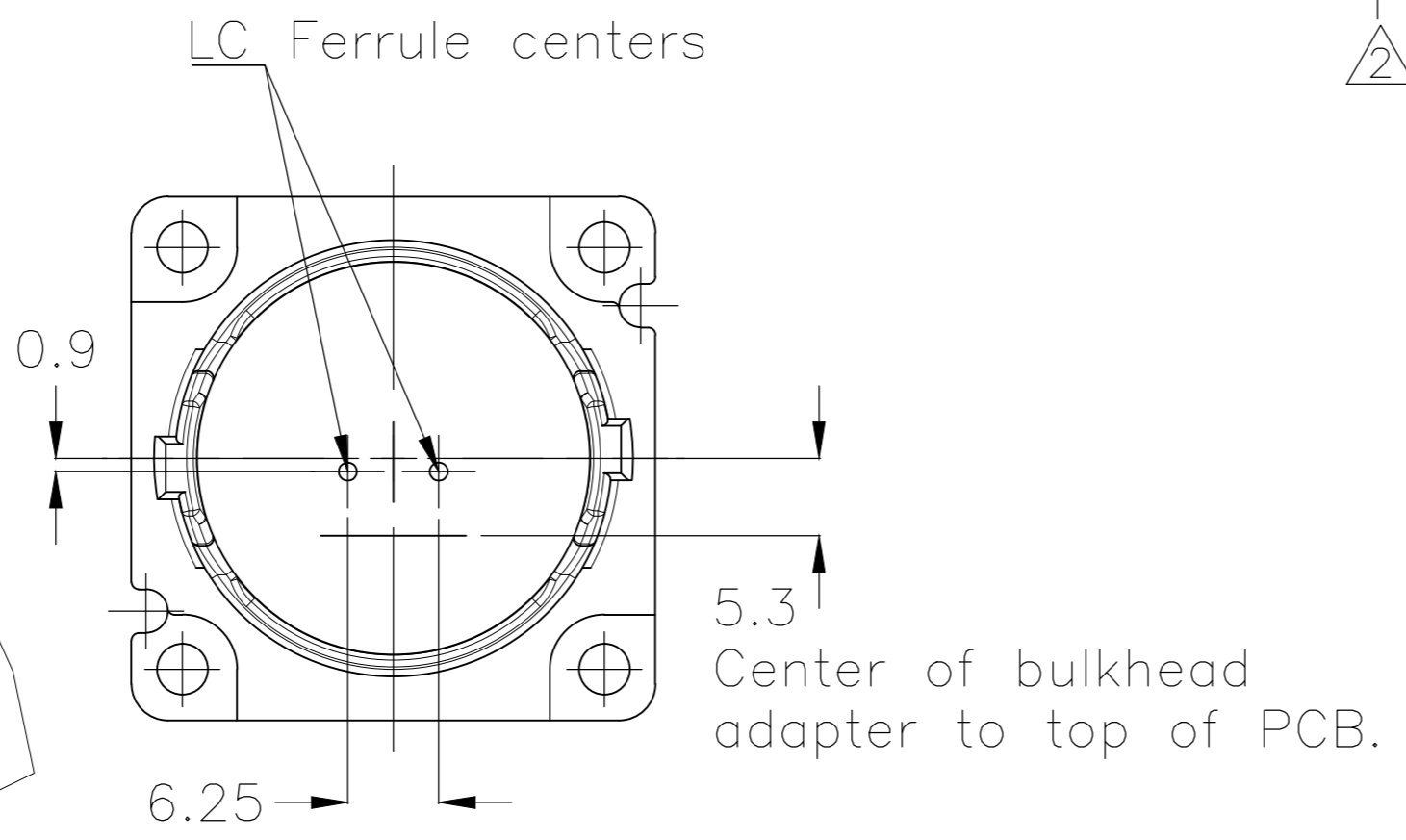
FULLAXS BULKHEAD CAP  
(Housing not shown)



SECTION A-A  
(Cap not shown)



Recommended panel cutout  
for the assembly and housing



NOTE:

- 1 SHOWN DIMENSIONS ARE FOR REFERENCE ONLY
- 2 THE CLIP ON CAP CAN PASS 24DAYS CORROSION TEST (INCLUDE 14 DAYS SALT SPRAY AND 10DAYS MOIST SO<sub>2</sub> EXPOSURE)

ITEM	TE PART NUMBER	DESCRIPTION
1	2061433-1	FOKIT FULLAXS BULKHEAD ASSEMBLY
2	2061433-2	FOAC FULLAXS BULKHEAD HOUSING
3	2061433-3	FOAC FULLAXS BULKHEAD CAP
4	2061433-4	FOAC FULLAXS BULKHEAD CAP STRAP
5	2061433-5	FOKIT FULLAXS BULKHEAD ASSEMBLY

THIS DRAWING IS A CONTROLLED DOCUMENT.		DWN R. COOLEN 10JUN2010		
DIMENSIONS: mm		CHK M. SCHOLTEN 17MAY2013		
TOLERANCES UNLESS OTHERWISE SPECIFIED:		APVD A. HENGELMOLEN 17MAY2013	NAME	
0 PLC ± -		PRODUCT SPEC	FOKIT FULLAXS BULKHEAD ASSEMBLY	
1 PLC ± -		APPLICATION SPEC	SIZE	CAGE CODE
2 PLC ± -		WEIGHT	A2	00779
3 PLC ± -		CUSTOMER DRAWING	C=2061433	
4 PLC ± -		SCALE	NTS	SHEET 1 of 1
FINISH		RESTRICTED TO	REV C	