

THE INFORMATION CONTAINED HEREIN IS CONSIDERED "PROPRIETARY" TO BEL FUSE INC. AND SHALL NOT BE COPIED, REPRODUCED OR DISCLOSED WITHOUT THE WRITTEN APPROVAL OF BEL FUSE INC.

RoHS  
2002/95/EC



## ELECTRICAL CHARACTERISTICS @ 25°C

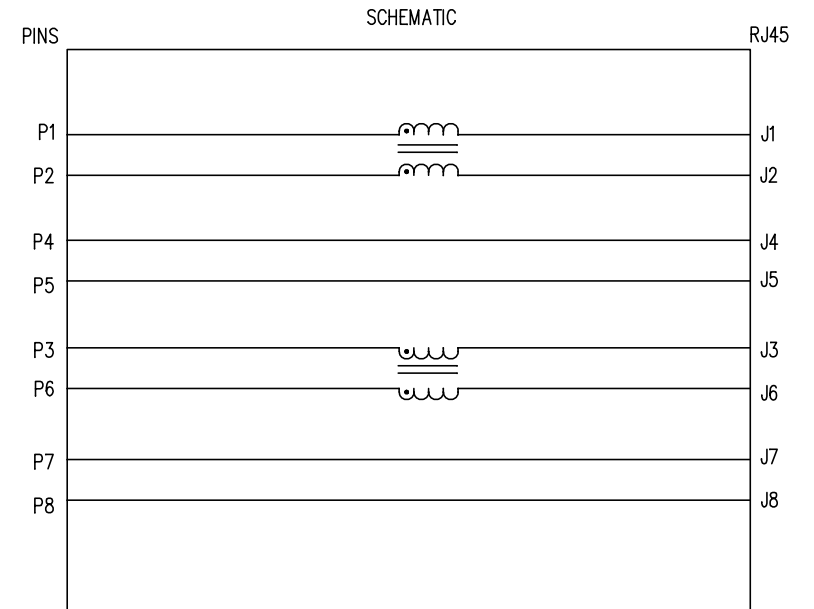
OPERATING TEMPERATURE RANGE: : -40°C TO +85°C

1.0 INDUCTANCE:(P6-J6) : (P1-J1) : 65 uH TYP @.01V, 10KHz

2.0 DC RESISTANCE: P6-J6 : .5 OHM MAX  
 P3-J3 : .5 OHM MAX  
 P2-J2 : .5 OHM MAX  
 P1-J1 : .5 OHM MAX

3.0 COMMON MODE: : CMA (-dB)

FREQUENCY (MHz)	TYPICAL	MIN
1	8	5
5	17	15
20	23	15
70	25	20
200	22	17
500	11	6



### NOTES

1.0 PINS WITHOUT ELECTRICAL CONNECTION ARE OMITTED.

ORIGINATED BY <b>Bain Liu</b>	DATE <b>09-01-09</b>	TITLE <b>MagJack® CMC TAB DOWN,SHIELDED</b>	PART NO. / DRAWING NO. <b>SI-60158-F</b>	STANDARD DIM. TOL. IN INCH	[ ] METRIC DIM. AS REFERENCE		<b>bel</b> COMPONENTS FOR A CONNECTED PLANET
DRAWN BY <b>Bain Liu</b>	DATE <b>09-01-09</b>		FILE NAME <b>SI-60158-F.DWG</b>	.X .XX .XXX	UNIT : INCH [mm] SCALE : N/A 	REV. : <b>A0</b> SIZE : <b>A4</b> PAGE : <b>2</b>	
				±0.005			

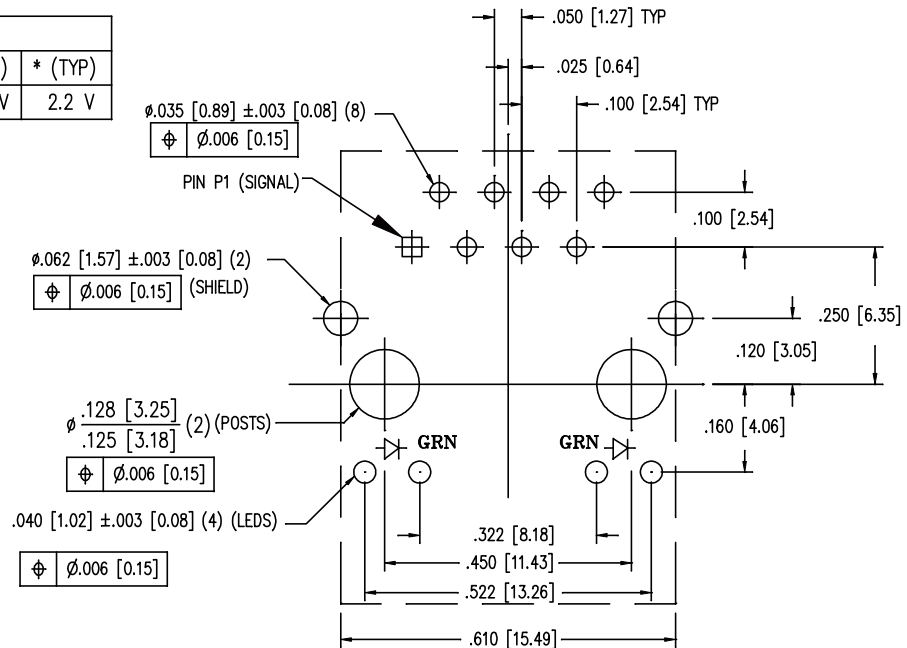
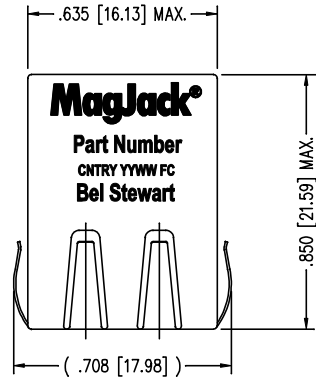
THE INFORMATION CONTAINED HEREIN IS CONSIDERED "PROPRIETARY" TO BEL FUSE INC. AND SHALL NOT BE COPIED, REPRODUCED OR DISCLOSED WITHOUT THE WRITTEN APPROVAL OF BEL FUSE INC.

RoHS  
2002/95/EC



LED SPECIFICATION			
STANDARD LED	WAVELENGTH	Forward V (MAX)	* (TYP)
GREEN	565 nm	2.5 V	2.2 V

\*WITH A FORWARD CURRENT OF 20 mA (TYP)

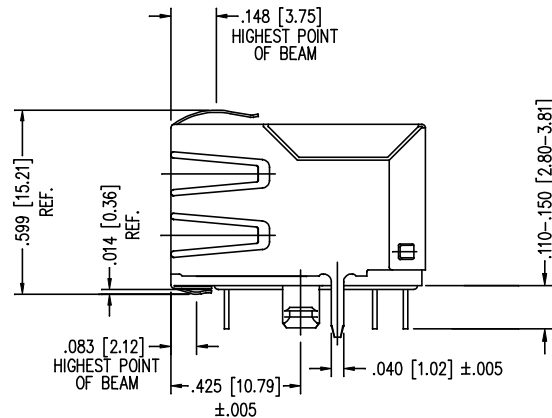
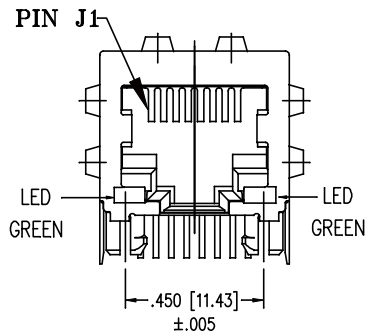


P.C.B. RECOMMENDED HOLE LAYOUT  
SEEN FROM COMPONENT SIDE

ALL CENTERLINE DIMENSIONS ARE BASIC.

NOTES:

- CONNECTOR MATERIALS:  
HOUSING: THERMOPLASTIC UL94 V-0  
CONTACT/SHIELD: COPPER ALLOY  
SHIELD PLATING: NICKEL OR TIN  
CONTACT PLATING: SELECTIVE GOLD,  
50 MICRO-INCHES MIN. IN CONTACT AREA.
- PIN NOT ELECTRICALLY CONNECTED MAYBE OMITTED.  
SEE ELECTRICAL DRAWING FOR OMITTED PINS.
- TOLERANCES COMPLY WITH F.C.C. DIMENSION REQUIREMENTS.
- ALL TOLERANCES NOT OTHERWISE SPECIFIED TO BE  $\pm .005 [0.13]$
- WAVE SOLDER COMPATIBLE - PREHEAT 125°C/90SECS.



ORIGINATED BY	DATE
Bain Liu	09-01-09
DRAWN BY	DATE
Bain Liu	09-01-09

TITLE	<b>MagJack</b> CMC TAB DOWN, SHIELDED
-------	---

PART NO. / DRAWING NO.	SI-60158-F
FILE NAME	SI-60158-F.DWG

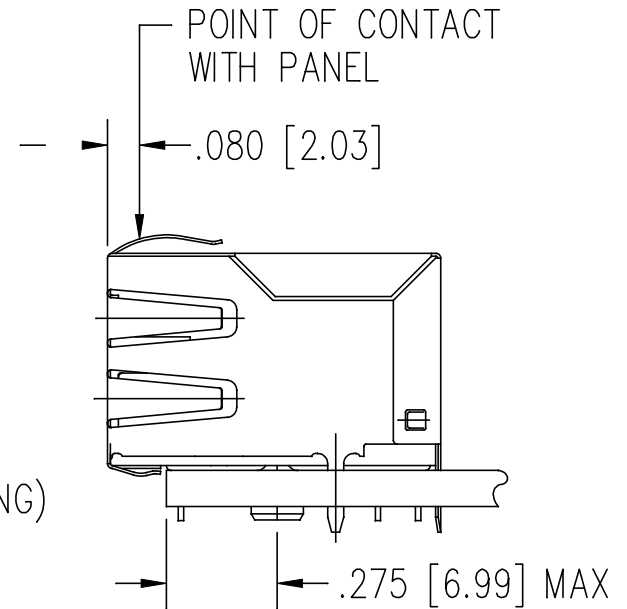
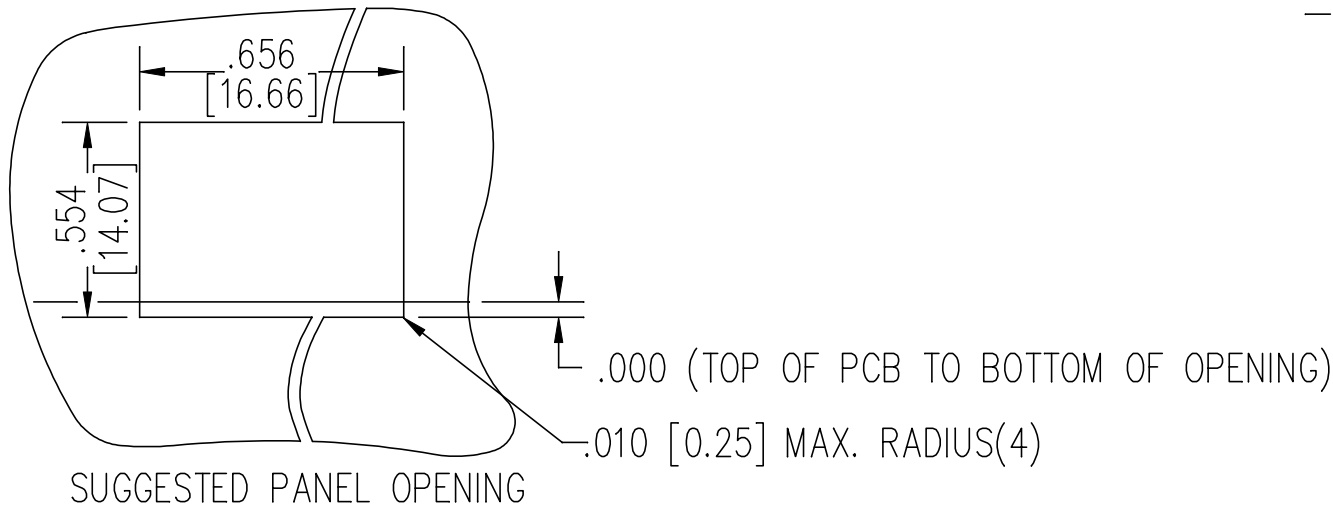
STANDARD DIM.	[ ] METRIC DIM. AS REFERENCE
TOL. IN INCH	UNIT : INCH [mm]
.X	REV. : A0
.XX	SCALE : N/A
.XXX	SIZE : A4
$\pm 0.005$	PAGE : 3

[ ] METRIC DIM. AS REFERENCE	UNIT : INCH [mm]	REV. : A0
SCALE : N/A	SIZE : A4	PAGE : 3



THE INFORMATION CONTAINED HEREIN IS CONSIDERED "PROPRIETARY" TO BEL FUSE INC. AND SHALL NOT BE COPIED, REPRODUCED OR DISCLOSED WITHOUT THE WRITTEN APPROVAL OF BEL FUSE INC.

RoHS  
2002/95/EC



1. THE SUGGESTED PANEL OPENING IS INTENDED TO GIVE THE USER THE ABILITY TO HAVE REASONABLE JACK / PANEL CLEARANCES YET MAINTAIN RELIABLE GROUNDING CAPABILITY.
2. ALL TOLERANCES NOT OTHERWISE SPECIFIED TO BE  $\pm 0.005$  [0.13]

ORIGINATED BY <b>Bain Liu</b>	DATE <b>09-01-09</b>	TITLE <b>MagJack® CMC TAB DOWN, SHIELDED</b>	PART NO. / DRAWING NO. <b>SI-60158-F</b>	STANDARD DIM. TOL. IN INCH	[ ] METRIC DIM. AS REFERENCE	<b>bel</b> COMPONENTS FOR A CONNECTED PLANET
DRAWN BY <b>Bain Liu</b>	DATE <b>09-01-09</b>	FILE NAME <b>SI-60158-F.DWG</b>	.X	UNIT : INCH [mm]	REV. : <b>A0</b>	
			.XX	SCALE : <b>N/A</b>	SIZE : <b>A4</b>	
			.XXX	$\pm 0.005$	PAGE : <b>4</b>	