



## ZKETECH EBD-M05 Mini Electronic Load/NiMH Battery Capacity Tester/Power Bank Current Tester 19.5V 5A 30W

SKU 106990330

ZKETECH EBD-M05 is a Mini Electronic load, which is suitable for capacity testing, power bank testing and power testing of various types of batteries.

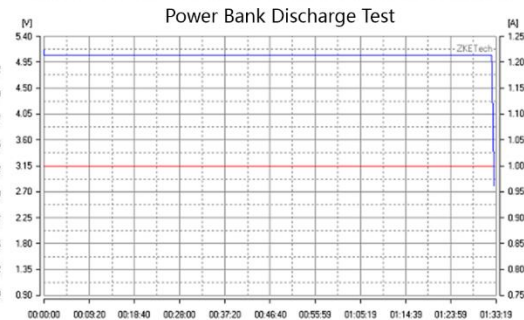
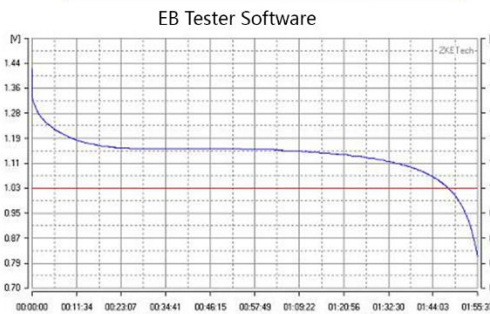
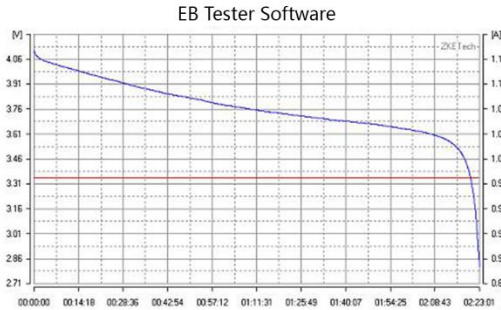
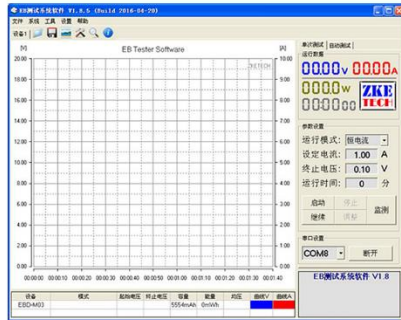
### Features

- Performs capacity test, current test, voltage, and current measurements
- Supports up to 19.5V/5A/30W
- Digital display of test data (voltage, current, capacity, energy)
- Serial Connectivity over USB
- Four-wire connection method
- Built-in Fan for better heat dissipation
- Measurement representation through PC software

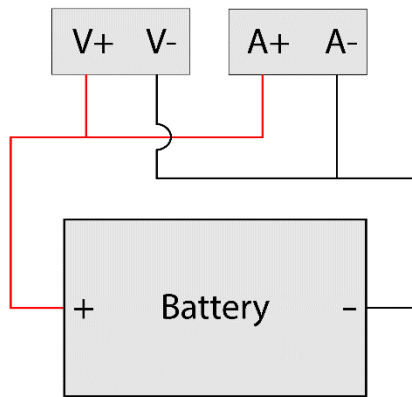
### Description

EBD-M05 is a Mini Electronic load, which is suitable for capacity testing, power bank testing and power testing of various types of batteries. A special software called “EB software” is used along with this device in order to precisely display the relevant test information. The software supports features such as curve drawing and much more extended functions.

This tester is designed for discharging a wide range of batteries and series-connected batteries, including NiMH, NiCd, LiPo, LiFe, and Pb. It also supports testing of the output current of DC powers, testing functions such as output capacity and overload protections. Furthermore, this tester supports output current and overload protection performance of various kinds of portable power banks.



### Connection Diagram



### Attention

- Positive and negative connections should not be reversed.
- Always use the tester within the allowed range

## Specifications

- Power Supply: MicroUSB cable (5V)
- Voltage Range: 0.1-19.50V (0.01V minimum step)
- Voltage Accuracy: 0.005V + 0.5% error
- Current Range: 0.05-5.00A (0.01V minimum step, current will be restricted when the power reaches over 30W)
- Current Accuracy: 0.005A + 0.5% error
- Maximum power: 30W
- Voltage Measurement: 0.00-19.5V
- Current Measurement: 0.05-5.00A
- Capacity Measurement: Within 10Ah, resolution 0.001Ah/ 10Ah-100Ah, resolution 0.01Ah/ Above 100Ah, resolution 0.1Ah
- Discharge mode: Constant Current Discharging (CC)
- PC Connection: MicroUSB cable

## Parts List

1 X ZKETECH EBD-M05 Mini Electronic Load/NiMH Battery Capacity Tester/Power Bank Current Tester 19.5V 5A 30W

## ECCN/HTS

HSCODE	9030841000
UPC	

## Documents

EB Software  
PL2303 Driver  
EB Software User Manual