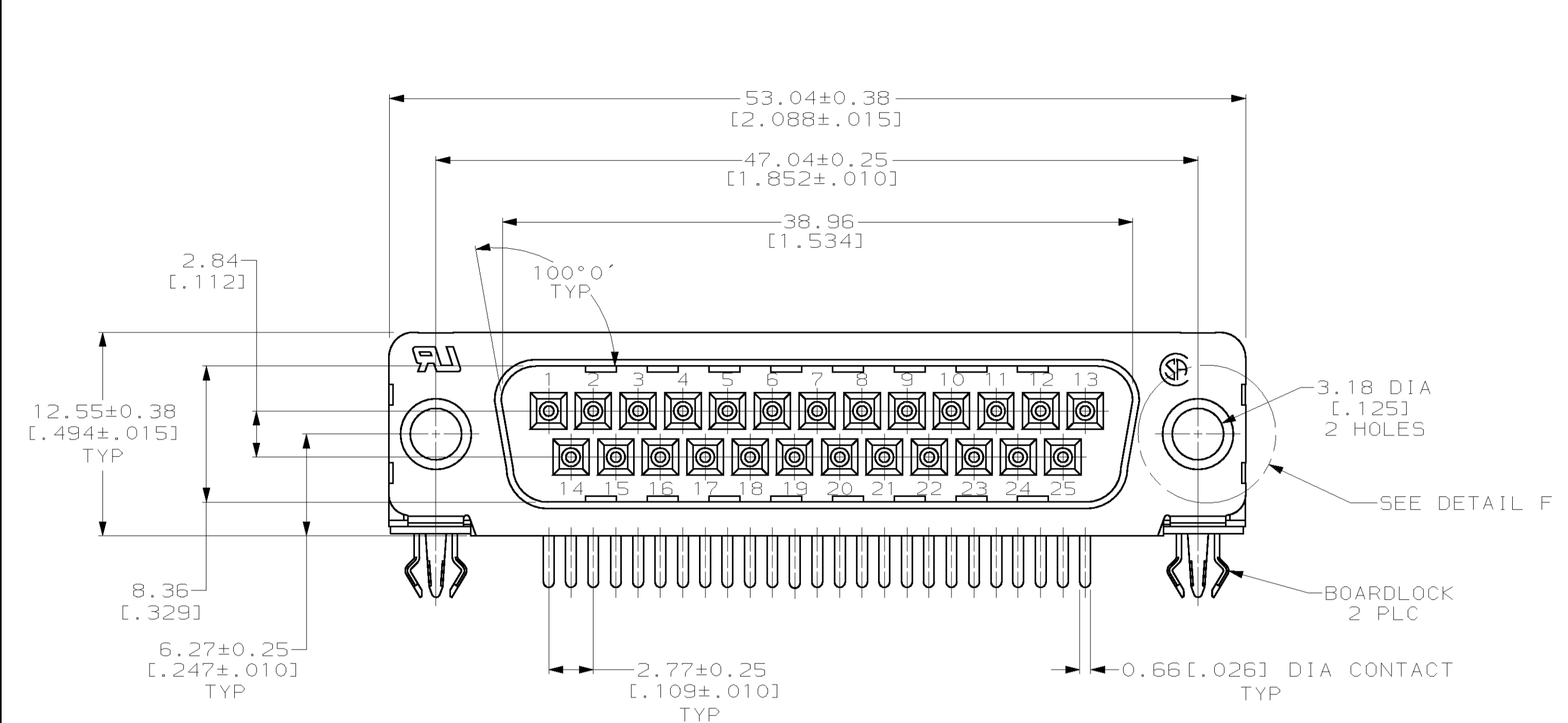
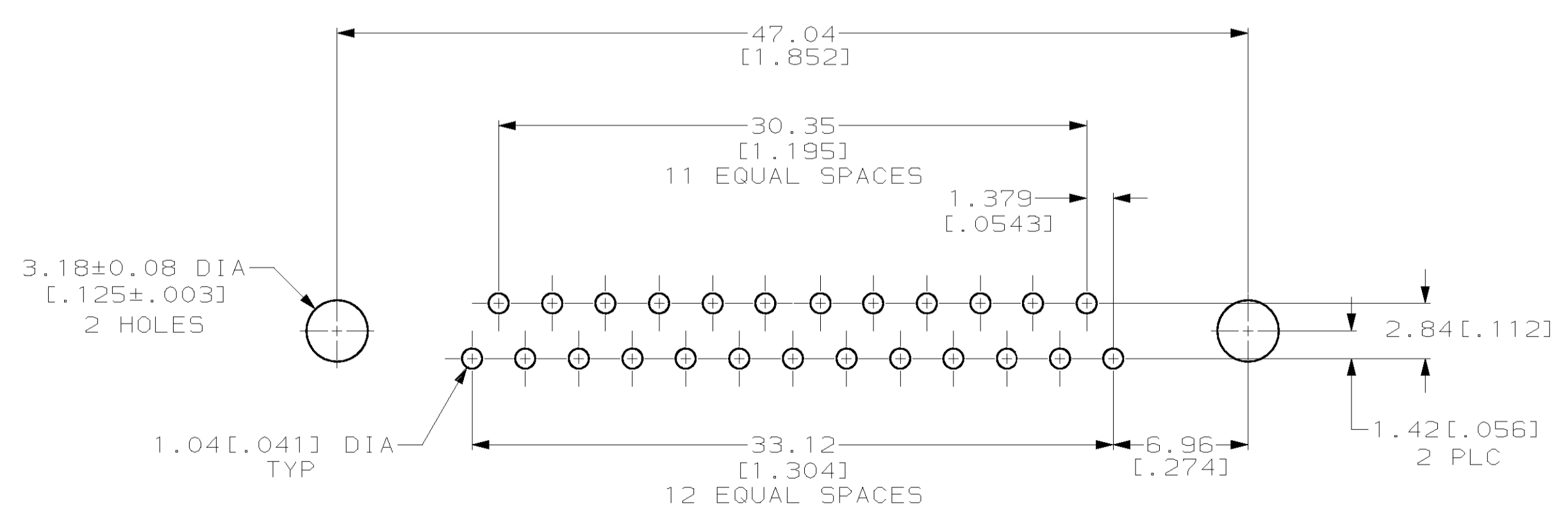
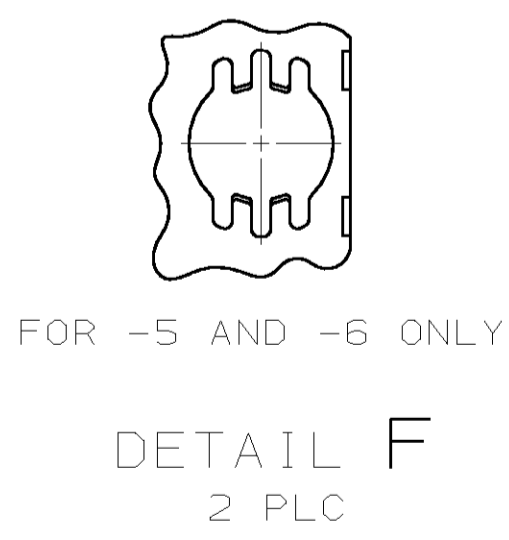
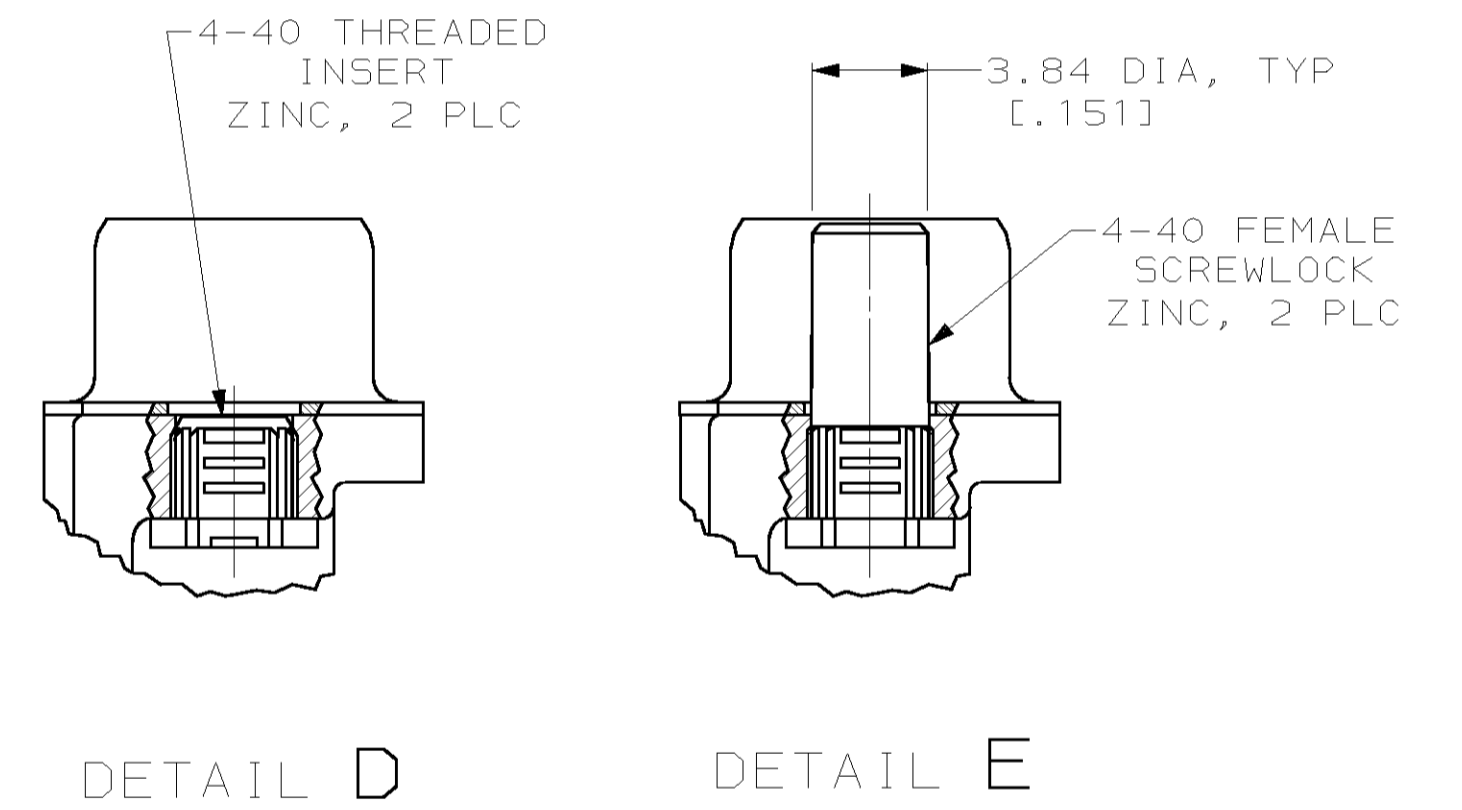
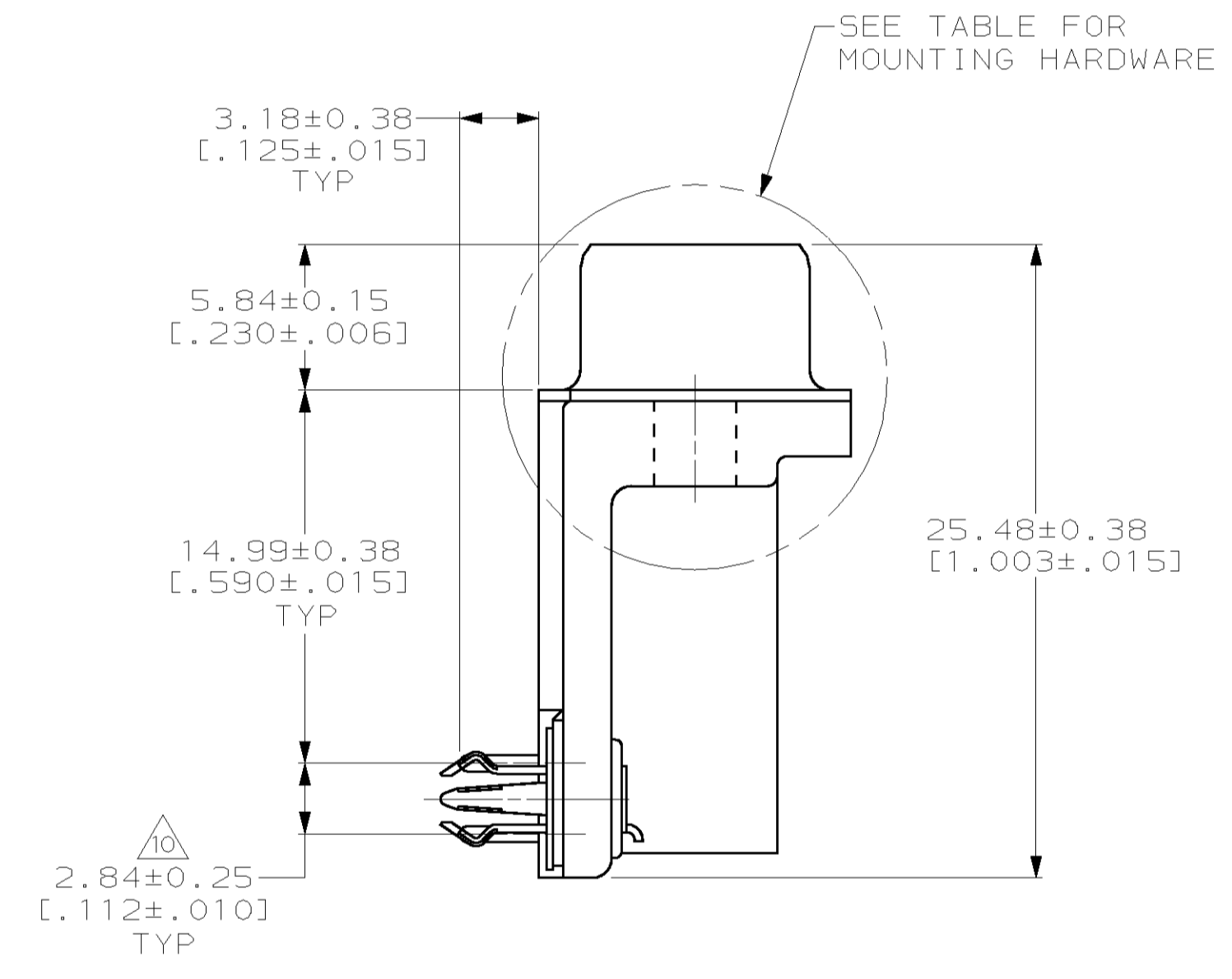
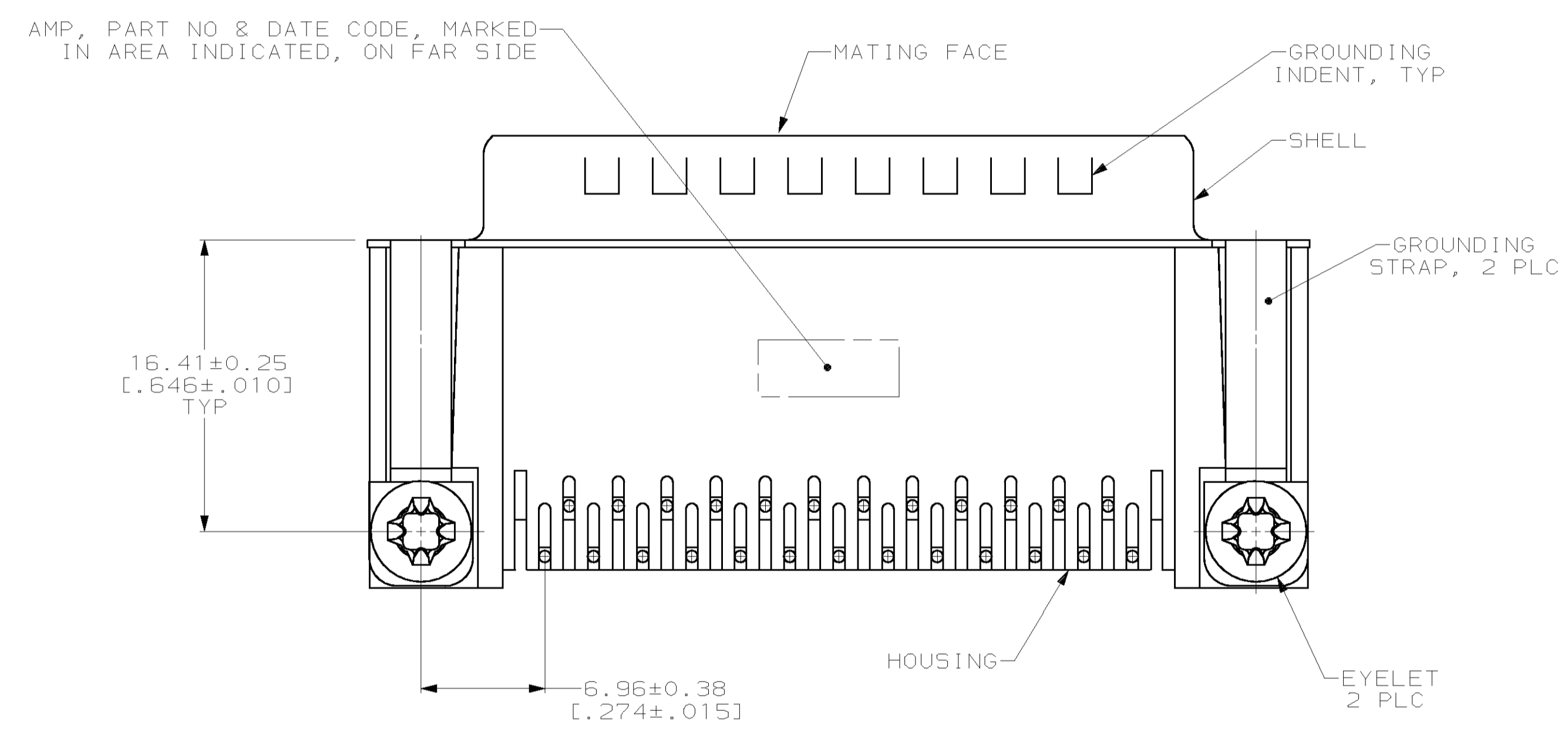


LOC	DIST	REVISIONS			
F	LTR	DESCRIPTION	DATE	OWN	APVD
T	REV PER EC	0640-0285-99	15FEB00	DD	KB



- 1 NYLON OR POLYESTER, FLAME RETARDANT, UL 94V-0 RATED, GLASS FILLED, BLACK.
- 2 BRASS PER MIL-C-50.
- 3 CARBON STEEL PER ASTM A109.
- 4 EYELETS: BRASS; BOARDLOCKS: COPPER ALLOY.
- 5 GOLD PLATING PER MIL-G-45204, NICKEL PLATING PER QQ-N-290, TIN PLATING PER MIL-T-10727; COPPER PLATING PER MIL-C-14550.
- 6 2.54µm [.000100] MIN TIN OVER 1.27µm [.000050] MIN COPPER.
- 7 EYELETS: 5.08µm [.000200] MIN TIN OVER COPPER FLASH. BOARDLOCKS: 5.08µm [.000200] MIN TIN-LEAD OVER 1.27µm [.000050] MIN NICKEL.
- 8 GOLD FLASH FOR A LENGTH OF 3.81 [.150] MIN FROM MATING END, 2.54µm [.000100] MIN TIN OR TIN-LEAD FOR A LENGTH OF 3.56 [.140] MIN FROM OPPOSITE END, BOTH OVER 1.27µm [.000050] MIN NICKEL.
- 9 GOLD PLATED FOR A LENGTH OF 3.81 [.150] MIN FROM MATING END, 0.76µm [.000030] MIN GOLD IN MATED AREA, 2.54µm [.000100] MIN TIN OR TIN-LEAD FOR A LENGTH OF 3.56 [.140] MIN FROM OPPOSITE END, BOTH OVER 1.27µm [.000050] MIN NICKEL.
- 10 DIMENSION APPLIES FROM CENTER OF CONTACT.



SUPSD BY	SEE DETAIL	CONTACT FINISH	PART NUMBER
747829-4	SEE DETAIL E	9	747829-6
OBSOLETE	SEE DETAIL E	8	747829-5
	SEE DETAIL D	8	747829-4
SUPSD BY 747829-4	SEE DETAIL D	8	747829-3
OBSOLETE	-	8	747829-2
OBSOLETE	-	8	747829-1

THIS DRAWING IS A CONTROLLED DOCUMENT.

DIMENSIONS: mm [INCHES]	TOLERANCES UNLESS OTHERWISE SPECIFIED:	DWN: W.G. LENKER 07-NOV-99	AMP Incorporated Harrisburg, PA 17105-3608
0 PLC ±.01	1 PLC ±.02	CHK: R. STONE 05-FEB-90	NAME: PLUG ASSEMBLY, SIZE 3, 25 POSITION, RIGHT ANGLE, FRONT METAL SHELL, .590 SERIES, BOARDLOCKS, AMPLIMITE® HD-20
2 PLC ±.03	3 PLC ±0.13 [.005]	APVD: M.D. GALLOWAY 06-FEB-90	PRODUCT SPEC: 108-40025
4 PLC ±.05	ANGLES: ±2°	APPLICATION SPEC: 114-40010	SIZE: A1 00779
MATERIAL: HOUSING: 1, CONTACTS: 2, SHELL: 3, HARDWARE: 4	FINISH: 5, CONTACT: SEE TABLE, SHELL: 6, HARDWARE: 7, INSERTS: CLEAR CHROMATE SCREWLOCKS, CLEAR CHROMATE	WEIGHT: -	RESTRICTED TO: -
SHELL: 8, HARDWARE: 9		CUSTOMER DRAWING	SCALE: 4:1 SHEET: 1 OF 1 REV: T