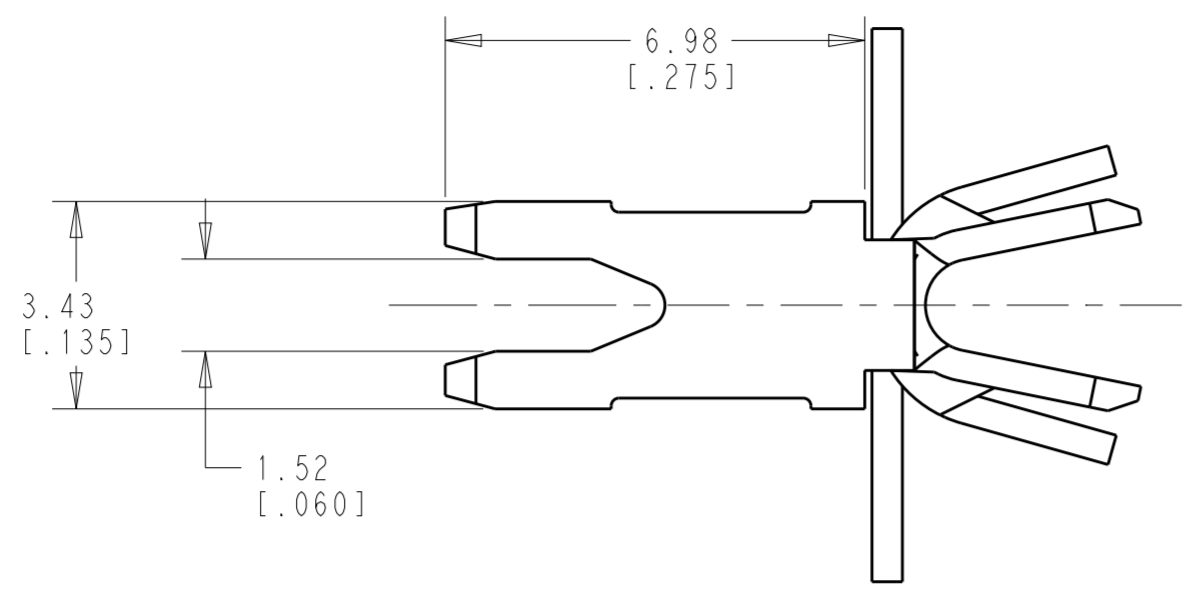
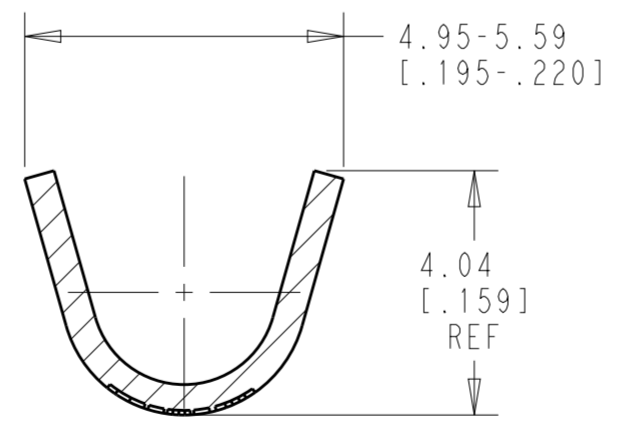
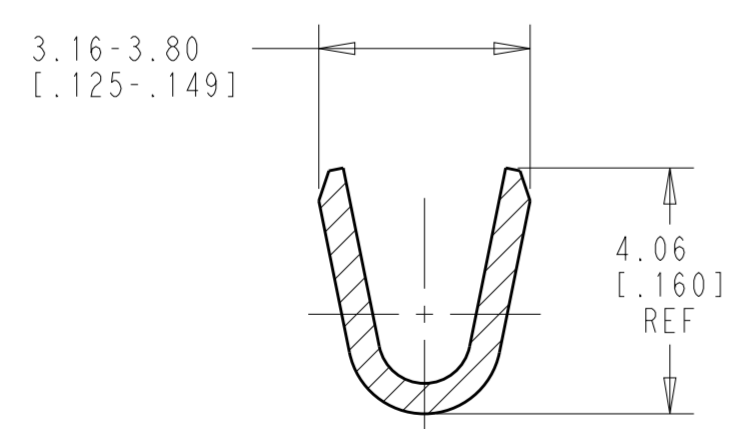
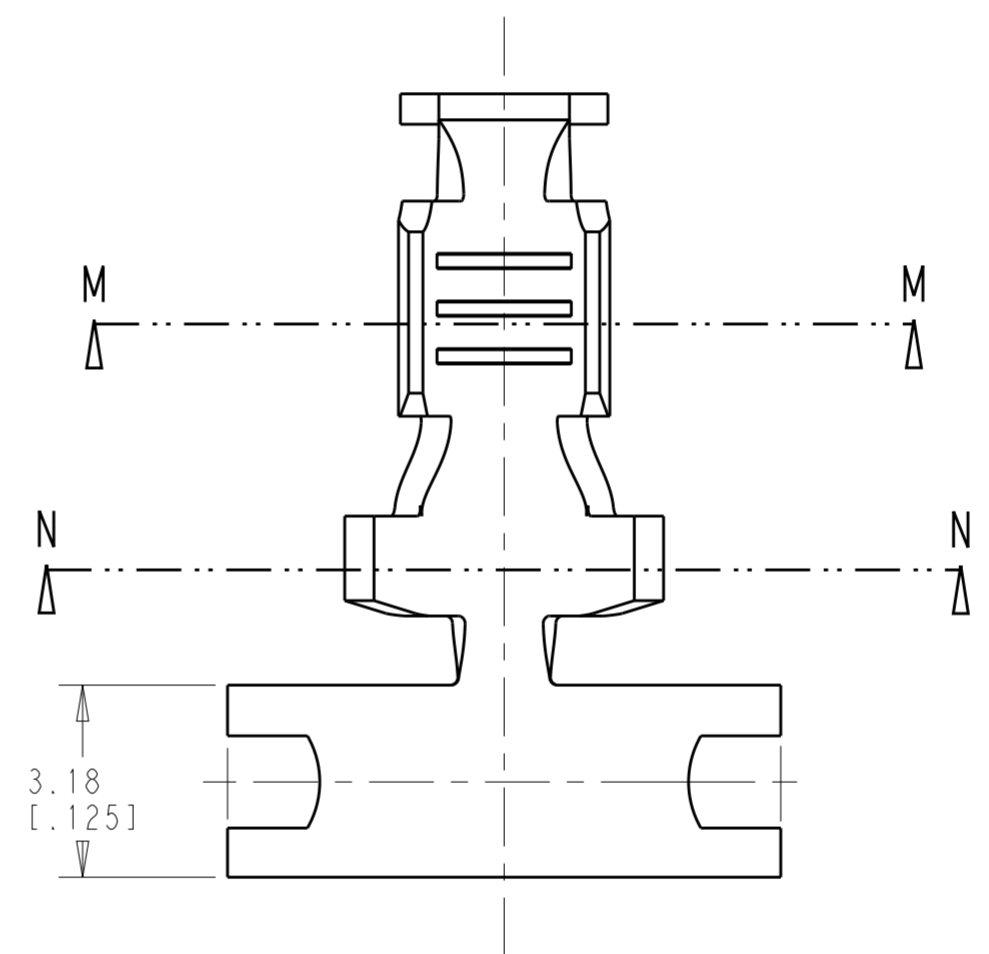
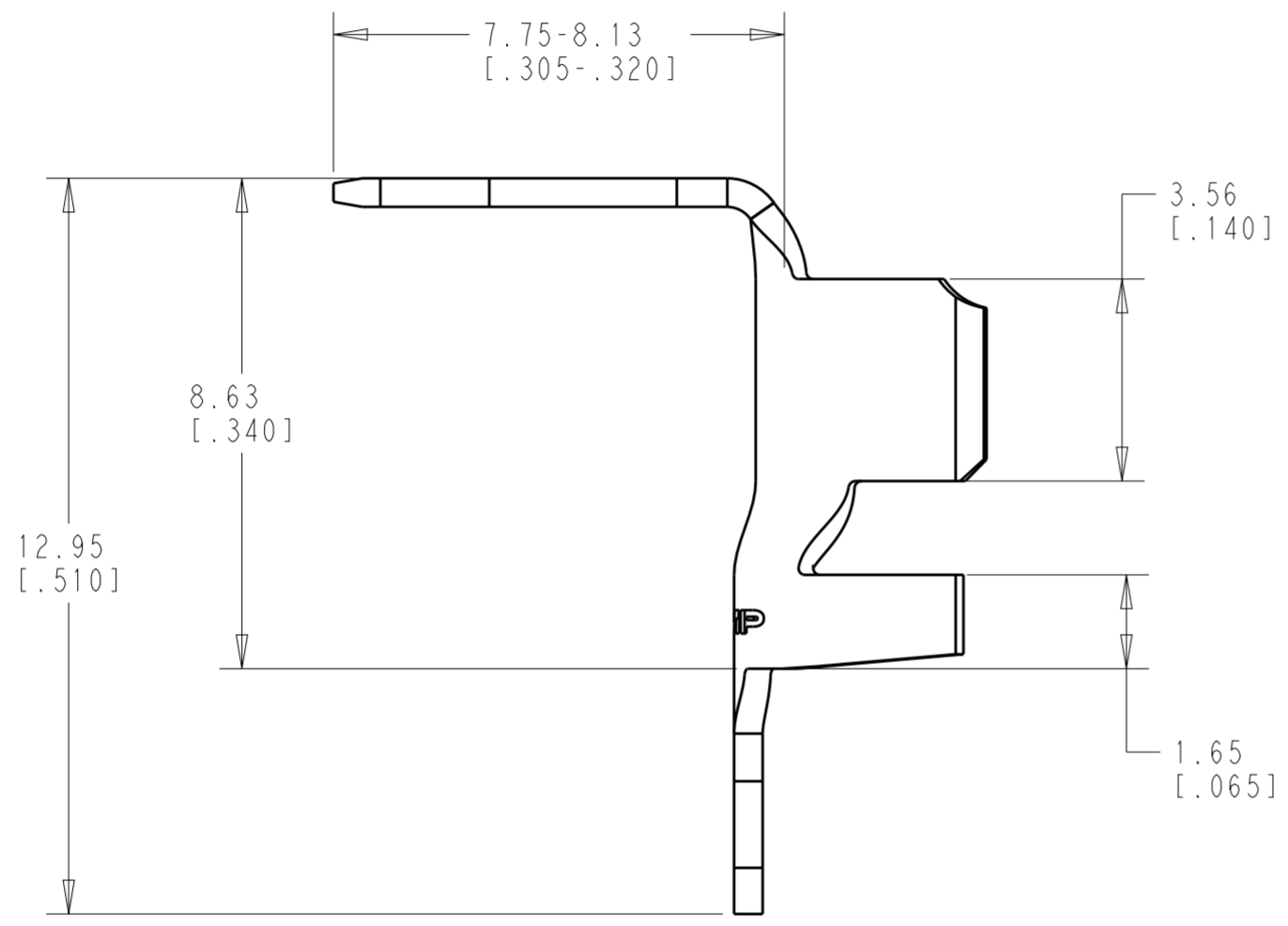


P	LTR	DESCRIPTION	DATE	DWN	APVD
A		INITIAL RELEASE	03AUG2020	MB	TD



1. CONTINUOUS STRIP ON REELS WITH TERMINALS LOCATED ON 9.14±0.08 [.360±.003] CENTERS
2. WIRE RANGE- 18-14 AWG
INSULATION DIAMETER RANGE - 2.29-3.56mm [.090-.140 IN]



PRE-TIN PLATED	BRASS	2238281-1
FINISH	MATERIAL	PART NUMBER

THIS DRAWING IS A CONTROLLED DOCUMENT.		DWN B. WEAVER 13MAY2020	TE Connectivity	
DIMENSIONS: mm [IN]		CHK K. RANDOLPH 13MAY2020		
TOLERANCES UNLESS OTHERWISE SPECIFIED:		APVD T. DING 13MAY2020	NAME TAB, POKE-IN, NON-LOCKING, MAG-MATE	
0 PLC ±	1 PLC ±	PRODUCT SPEC 108-22045	SIZE A2	
2 PLC ±0.25 [.010]	3 PLC ±	APPLICATION SPEC 114-2050	CAGE CODE 00779	DRAWING NO C-2238281
4 PLC ±	ANGLES ±	WEIGHT -	RESTRICTED TO -	
MATERIAL SEE TABLE	FINISH SEE TABLE	CUSTOMER DRAWING	SCALE 8:1	SHEET 1 OF 1