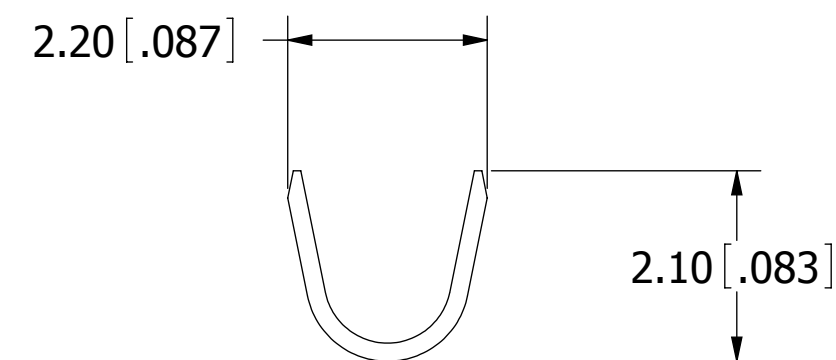
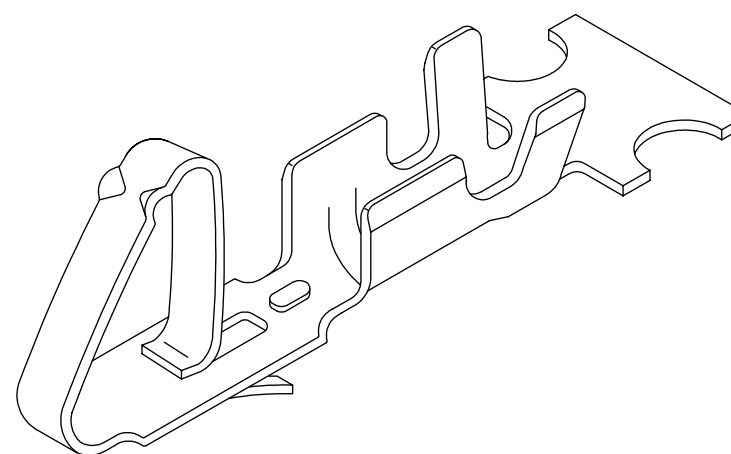
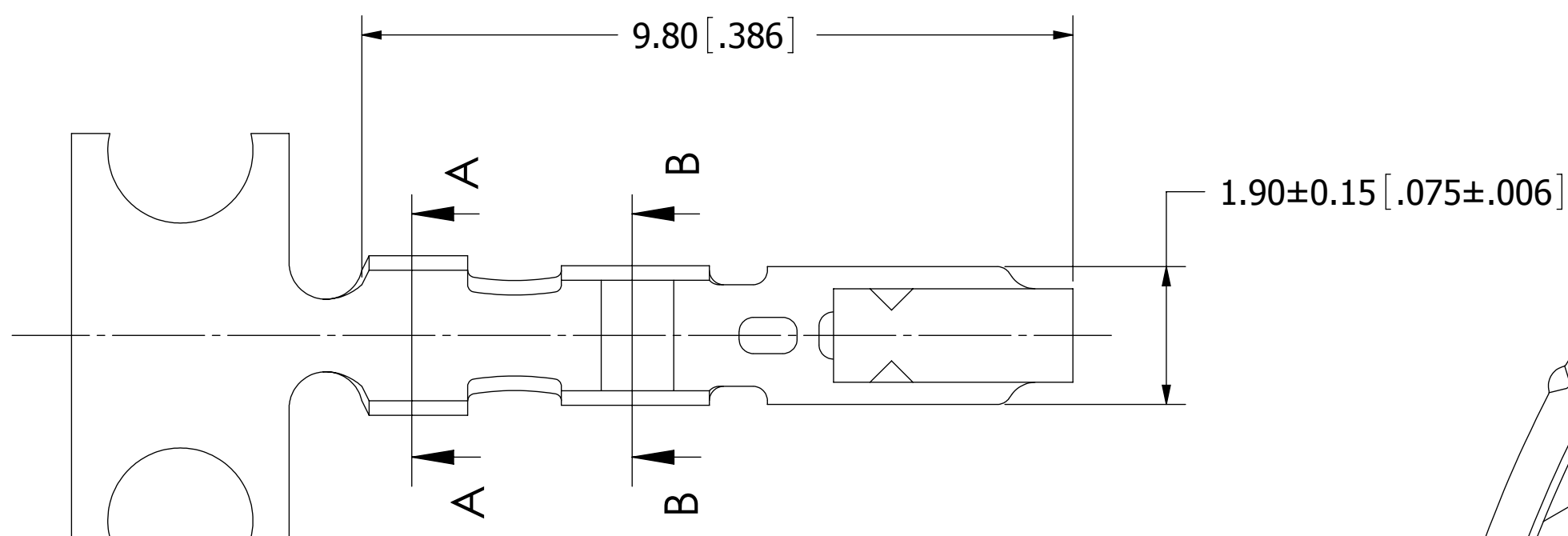


PART NUMBER CODING
SWT25X-U__C-S01-UU-UU

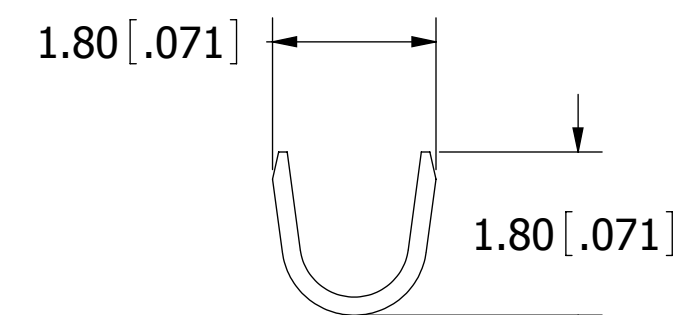
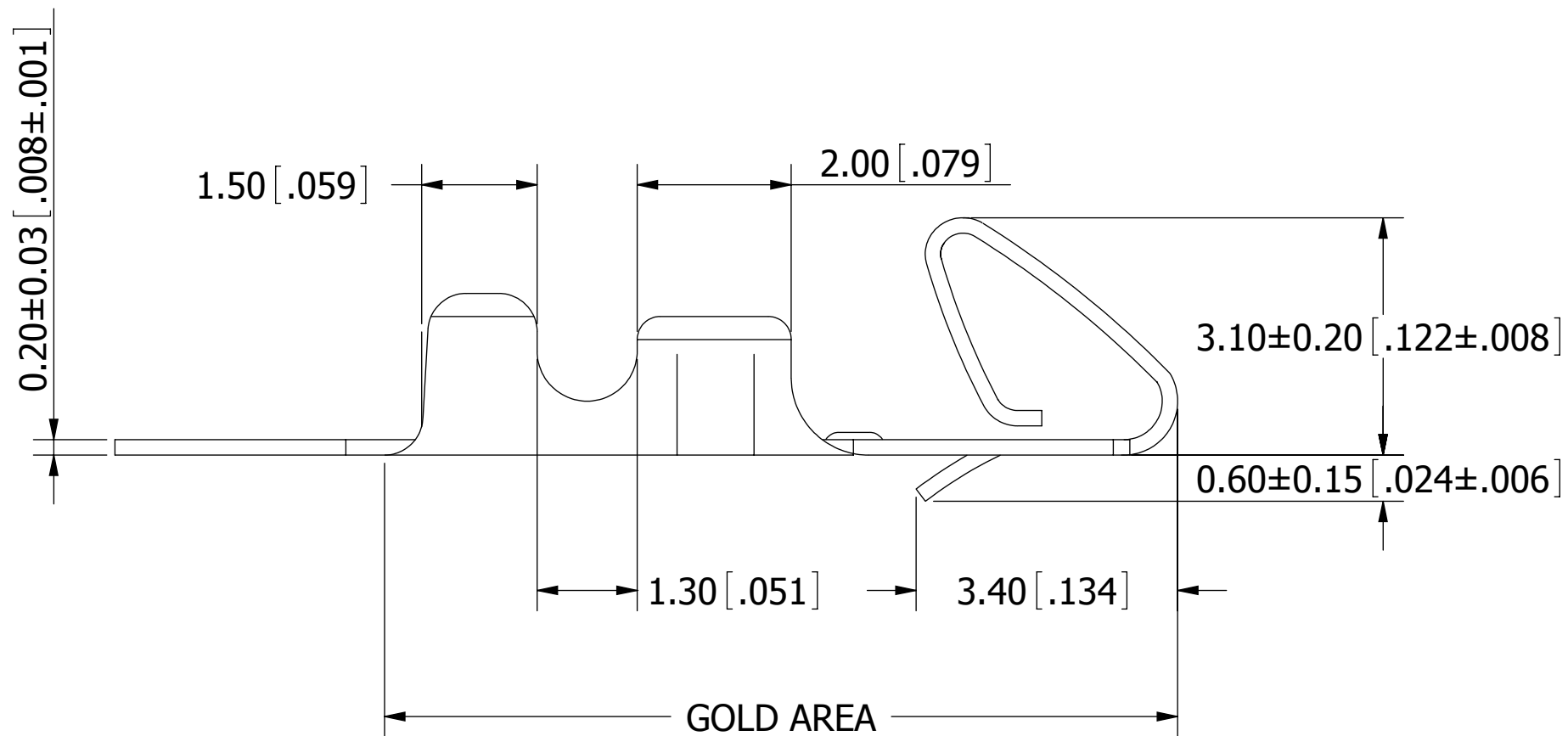
REVISIONS				
REV.	ECO. NO	DESCRIPTION	DATE	BY
A	2237	INITIAL RELEASE	05/24/2011	LH

MATERIAL & PLATING

RT = BRASS, .000015" MIN NICKEL UNDERPLATE, .000040" MIN PURE TIN, BRIGHT OVERALL (NOTE 7).
 PT = PHOSPHOR BRONZE, .000015" MIN NICKEL UNDERPLATE, .000040" MIN PURE TIN, BRIGHT OVERALL (NOTE 7).
 RP = BRASS, .000040" MIN NICKEL UNDERPLATE, GOLD FLASH OVERALL.



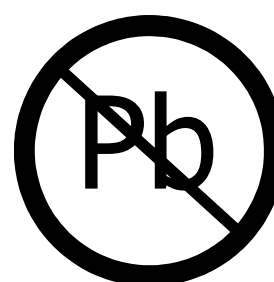
SECTION A-A



SECTION B-B

NOTES:

1. MATERIAL: SEE PART NUMBER CODING.
2. PLATING: SEE PART NUMBER CODING.
3. WIRE RANGE: AWG #20 - #26.
4. INSULATION O.D.: ϕ 1.35mm ~ ϕ 1.90mm.
5. QUANTITY PER REEL = 10,000 PIECES.
6. USED IN SWH25X SERIES HOUSING.
7. PLATING BEFORE STAMPING/FORMING.



RoHS COMPLIANT

UNLESS OTHERWISE SPECIFIED: DIMENSIONS ARE IN MM[INCHES]	DRAWN	DATE	NAME	
		05/24/2011	LH	
TOLERANCES: ANGULAR: .X= ± 0.3 [.01] .XX= ± 0.30 [.012]	<small>THE INFORMATION HEREIN CONTAINS PROPRIETARY INFORMATION OF SULLINS ELECTRONICS AND IS NOT TO BE REPRODUCED, USED OR DISCLOSED TO OTHERS FOR ANY PURPOSE EXCEPT AS SPECIFICALLY AUTHORIZED IN WRITING BY AN OFFICER OF SULLINS ELECTRONICS.</small>			
	TITLE CRIMP TERMINAL - SWH25X			
INTERPRET DIMENSIONS AND TOLERANCING PER: ASME Y14.5M-2009	PART NUMBER SWT25X-U__C-S01-UU-UU			
	SIZE	CAGE CODE	DWG. NO.	REV
	C	54453	11631	A
SCALE: 12:1			SHEET 1 OF 1	