

1445821-1 ✓ ACTIVE

AMP | AMP CPC

TE Internal #: 1445821-1

Circular Power Connectors, Housing, 250 VDC, 30 – 18 AWG Wire Size, .0509 – .823 mm<sup>2</sup> Wire Size, Wire-to-Wire, 8 Position, Sealable, AMP CPC

[View on TE.com >](#)



Connectors > Power Connectors > Circular Power > Circular Power Connectors > Mini Circular Plastic Connectors (CPC)



Connector Product Type: **Housing**

Operating Voltage: **250 VDC**

Wire Size: **.0509 – .823 mm<sup>2</sup>**

Connector System: **Wire-to-Wire**

[All Mini Circular Plastic Connectors \(CPC\) \(53\)](#)

## Features

### Product Type Features

Connector Seal & Plug Type	Peripheral, Wire Entry Seal
Connector Product Type	Housing
Connector System	Wire-to-Wire
Sealable	Yes
Connector & Contact Terminates To	Wire & Cable
Connector & Housing Type	Receptacle
Circular Connector Shell Type	All Plastic

### Configuration Features

Reverse Numbering	Without
Number of Positions	8
Number of Power Positions	0
Number of Signal Positions	8

### Electrical Characteristics



Operating Voltage	250 VAC
-------------------	---------

### Contact Features

Reverse Gender	No
----------------	----

Contact Type	Pin
--------------	-----

Contact Current Rating (Max)	5.9 A
------------------------------	-------

### Termination Features

Termination Method to Wire & Cable	Crimp
------------------------------------	-------

### Mechanical Attachment

Mating Alignment	With
------------------	------

Mating Retention Type	Threaded Coupling
-----------------------	-------------------

Thread Size	3/4-20 UNEF-2A
-------------	----------------

Connector Mounting Type	Panel Mount
-------------------------	-------------

Mating Retention	With
------------------	------

Panel Mount Feature	With
---------------------	------

### Housing Features

Housing Color	Black
---------------	-------

Housing Material	Thermoplastic
------------------	---------------

Circular Connector Shell Size	11
-------------------------------	----

### Dimensions

Compatible Insulation Diameter Range	.89 – 1.5 mm [.035 – .059 in]
--------------------------------------	-------------------------------

Wire Size	.0509 – .823 mm <sup>2</sup>
-----------	------------------------------

### Usage Conditions

Operating Temperature Range	-55 – 105 °C [-67 – 221 °F]
-----------------------------	-----------------------------

Fluid Resistance	Immersion
------------------	-----------

### Operation/Application

Circuit Application	Power & Signal
---------------------	----------------

Shielded	No
----------	----

### Industry Standards

UL Flammability Rating	UL 94V-0
------------------------	----------

### Packaging Features

Packaging Quantity	100
--------------------	-----



Packaging Method

Carton

### Product Compliance

[For compliance documentation, visit the product page on TE.com>](#)

EU RoHS Directive 2011/65/EU	Compliant
EU ELV Directive 2000/53/EC	Compliant
China RoHS 2 Directive MIIT Order No 32, 2016	No Restricted Materials Above Threshold
EU REACH Regulation (EC) No. 1907/2006	Current ECHA Candidate List: JUNE 2023 (235) Candidate List Declared Against: JAN 2022 (223) Does not contain REACH SVHC
Halogen Content	Not Yet Reviewed for halogen content
Solder Process Capability	Not reviewed for solder process capability

#### Product Compliance Disclaimer

This information is provided based on reasonable inquiry of our suppliers and represents our current actual knowledge based on the information they provided. This information is subject to change. The part numbers that TE has identified as EU RoHS compliant have a maximum concentration of 0.1% by weight in homogenous materials for lead, hexavalent chromium, mercury, PBB, PBDE, DBP, BBP, DEHP, DIBP, and 0.01% for cadmium, or qualify for an exemption to these limits as defined in the Annexes of Directive 2011/65/EU (RoHS2). Finished electrical and electronic equipment products will be CE marked as required by Directive 2011/65/EU. Components may not be CE marked. Additionally, the part numbers that TE has identified as EU ELV compliant have a maximum concentration of 0.1% by weight in homogenous materials for lead, hexavalent chromium, and mercury, and 0.01% for cadmium, or qualify for an exemption to these limits as defined in the Annexes of Directive 2000/53/EC (ELV). Regarding the REACH Regulation, the information TE provides on SVHC in articles for this part number is based on the latest European Chemicals Agency (ECHA) 'Guidance on requirements for substances in articles' posted at this URL: <https://echa.europa.eu/guidance-documents/guidance-on-reach>

### Compatible Parts

TE Part # CAT-AM71-C83998EE  
Mini Circular Plastic Connectors (CPC)

TE Part # 1445904-1  
NUT, JAM, 3/4-20, PKG QTY 100

TE Part # 1-770988-1  
MINI UMNL SOK 22-18AWG LP LF

TE Part # 1-770985-0  
MINI UMNL PIN 26-22AWG AU LP




TE Part # 1-770987-0  
MINI UMNL PIN 22-18 AWG AU LP



TE Part # 770988-3  
MINI UMNL SOK 22-18AWG AU LP



TE Part # 1-770988-0  
MINI UMNL SOK 22-18AWG AU



TE Part # 1-794059-0  
MINI UMNL PIN L/P LF



TE Part # 770988-1  
MINI UMNL SOK 22-18AWG SN LP



TE Part # 770986-1  
MINI UMNL SOK 26-22AWG SN LP



TE Part # 794058-1  
MINI UMNL SOK L/P



TE Part # 770985-1  
MINI UMNL PIN 26-22AWG SN LP



TE Part # 770903-3  
MINI UMNL PIN 22-18 AWG AU



TE Part # 794059-1  
MINI UMNL PIN L/P



TE Part # 1-770902-1  
MINI UMNL SOK 26-22 AWG AU LF



TE Part # 770902-3  
MINI UMNL SOK 26-22 AWG AU



TE Part # 1-770901-0  
MINI UMNL PIN 26-22 AWG AU LF



TE Part # 1-770835-0  
MINI UMNL PIN AU LF




TE Part # 1-770903-0  
MINI UMNL PIN 22-18 AWG AU




TE Part # 770904-3  
MINI UMNL SOK 22-18 AWG AU


Also in the Series | AMP CPC




Circular Connector Adapters(7)



Circular Connector Caps & Covers(16)



Circular Connector Hardware(3)



Circular Connector Keying Plugs(2)



Circular Power Connectors(459)



Connector Backshells(56)



Connector Seals & Cavity Plugs(36)



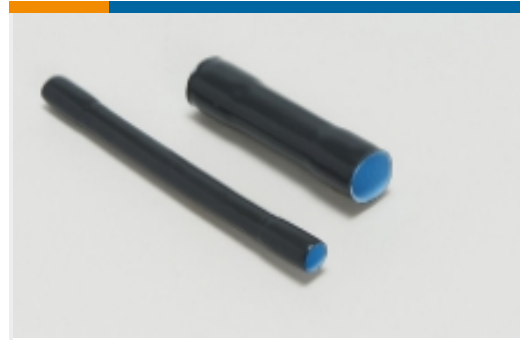
Connector Strain Relief(6)



Insertion & Extraction Tools(1)



Power Contacts(6)

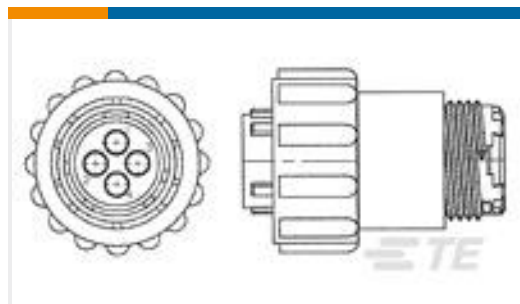


Sealing Sleeves(2)

### Customers Also Bought



TE Part #788189-1  
CPC 17-3 RCPT ASY,REV SEX



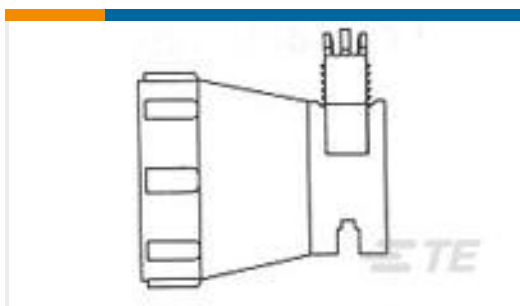
TE Part #788157-2  
SLD CPC PLUG ASSY,13-9,STD SEX



TE Part #1445816-3  
Mini Circular Plastic Connectors (CPC)



TE Part #1445904-1  
NUT,JAM,3/4-20,PKG QTY 100



TE Part #1445856-1  
STR RELIEF ASY,STRAIGHT SZ 11

### Documents

#### Product Drawings

REC,11-8,FLNG MT,SM INS,STD KE

English

#### CAD Files

3D PDF

3D

Customer View Model

ENG\_CVM\_CVM\_1445821-1\_C.2d\_dxf.zip



English

**Customer View Model**

[ENG\\_CVM\\_CVM\\_1445821-1\\_C.3d\\_igs.zip](#)

English

**Customer View Model**

[ENG\\_CVM\\_CVM\\_1445821-1\\_C.3d\\_stp.zip](#)

English

By downloading the CAD file I accept and agree to the [Terms and Conditions](#) of use.

---

### Datasheets & Catalog Pages

[1-1773902-9\\_CPC\\_Catalog](#)

English

[1-1773902-9\\_CPC\\_Catalog](#)

[1-1773902-9\\_CPC\\_Catalog](#)

German

[1-1773902-9\\_CPC\\_Catalog](#)

Japanese

[AMP Circular Connectors for Commercial Signal & Power Applications Continued](#)

English

---

### Product Specifications

[Application Specification](#)

English