

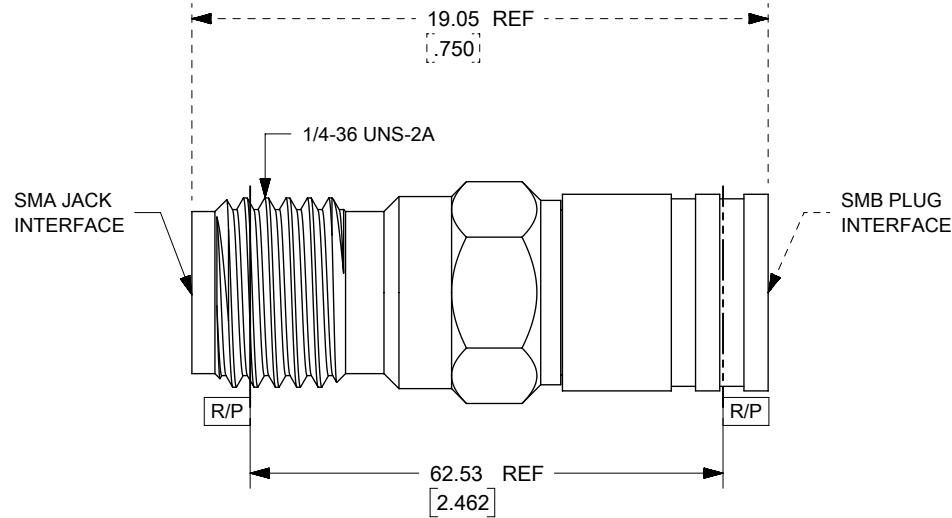
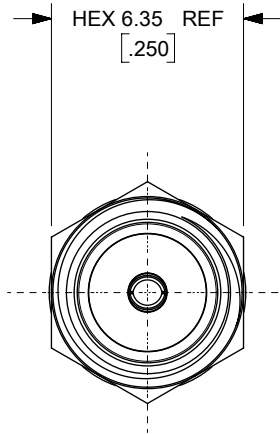
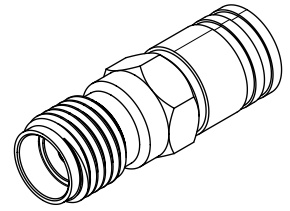
MATERIALS AND FINISHES

BODY BERYLLIUM COPPER
PLATED NICKEL

CENTER CONTACT BERYLLIUM COPPER
PLATED GOLD

INSULATOR TEFLON

SLEEVE BRASS
PLATED NICKEL



73386-0224	73386-0223, ONE PER BAG
73386-0223	TRAY
PSRT NO.	DESCRIPTION

PS-89675-2730	ELEC/MECH PERFORMANCE
MIL-STD-348A, FIG. 311.2	SMB INTERFACE
MIL-STD-348A, FIG. 310.2	SMA INTERFACE
SPECIFICATION	DESCRIPTION

REVISION HISTORY		
DATE	REV	DESCRIPTION
1998/1/5	A	NEW RELEASE
2007/2/8	A1	REDREW IN SD, ADD -0224
2015/4/17	A2	PACKING FROM BULK TO TRAY PER RF-15-E176
2016/9/13	A3	CORRECT TYPO FOR INTERFACE PER RF16-E152

THIS DRAWING CONTAINS INFORMATION THAT IS PROPRIETARY TO MOLEX INCORPORATED AND SHOULD NOT BE USED WITHOUT WRITTEN PERMISSION

EC DESCRIPTION EC NO: 108375 DRWN: RYEH CHK'D: REV APPR: YCHENG	2016/09/13 QUALITY SYMBOLS ▽ = 0 ▽ = 0 ▽ = 0 ▽ = 0 ▽ = 0 ▽ = 0 ▽ = 0 ▽ = 0 ▽ = 0	GENERAL TOLERANCES (UNLESS SPECIFIED) ANGULAR TOL ± ° 4 PLACES ± 3 PLACES ± 2 PLACES ± 1 PLACE ± 0 PLACES ±	DIMENSION UNITS MM	SCALE 2:1								
	DRWN BY SHO01		DATE 2015/04/15									
	CHK'D BY		DATE		SMB PLUG TO SMA JACK ADAPTER, 50 OHMS BSA-SMBP/SMAJ							
	APPR BY		DATE									
	A3		DRAFT WHERE APPLICABLE MUST REMAIN WITHIN DIMENSIONS		DRAWING SIZE A4	THIRD ANGLE PROJECTION			PRODUCT CUSTOMER DRAWING			
				SERIES 73386	MATERIAL NUMBER	CUSTOMER			DOCUMENT NUMBER SD-73386-022			
						DOC TYPE PSD	DOC PART 000	SHEET NUMBER 1 OF 1				